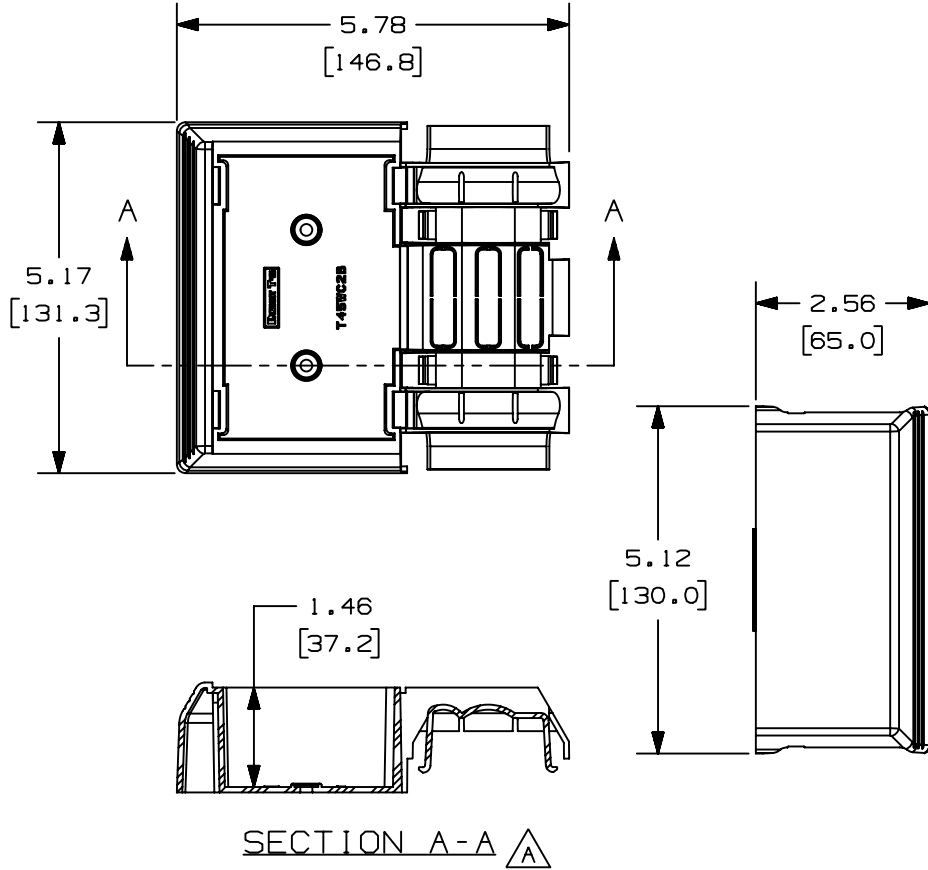


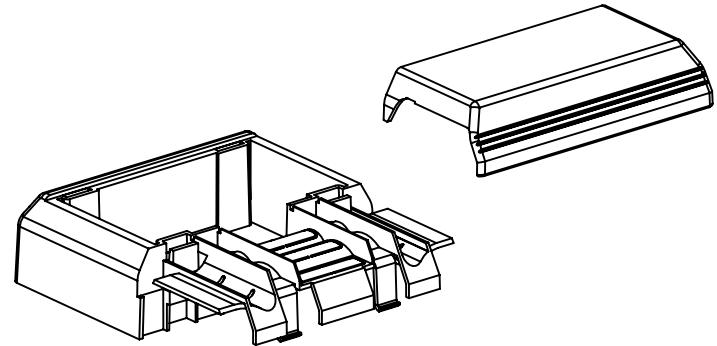
THIS COPY IS PROVIDED ON A RESTRICTED BASIS AND IS NOT TO BE USED IN ANY WAY DETRIMENTAL TO THE INTERESTS OF PANDUIT CORP.



| PANDUIT P/N | WEIGHT |
|-------------|-----------------------------------|
| T45WC2 | 3.42 LB/10 PCS (1554 g/10 PCS) |

NOTES:

1. SEE CURRENT CATALOG FOR ADDITIONAL PART SUFFIXES TO INDICATE COLOR AND OR PACKAGE QUANTITY.
2. ACCEPTS PANDUIT SNAP-ON TYPE FACEPLATES.
3. DIMENSIONS IN PARENTHESES ARE IN METRIC.



SECTION A-A

CAD FILENAME/LAYERS D36975EK_DC_T45WC2_00B.prt

PANDUIT CORP. TINLEY PARK, ILLINOIS
T-45 WORKSTATION OUTLET CENTER (T45WC2)
 CUSTOMER DRAWING

UNLESS OTHERWISE SPECIFIED,
 DIMENSIONAL TOLERANCES ARE:
 (.X) ± (.XXX) ±
 (.XX) ±.03 (.8) ANGLES ±

UNLESS OTHERWISE SPECIFIED,
 ALL DIMENSIONS ARE GIVEN
 IN INCHES, THIRD ANGLE PROJECTION.

| REV | DATE | BY | CHK | DESCRIPTION | ECN | CHK | CUST | SUP |
|-----|----------|------|-----|---|----------|-----|------|-----|
| I | 07-20-00 | MSO | BKR | A. ADDED SECTION A-A TO SHOW INSIDE DEPTH OF W.O.C. | 36975-73 | HIW | HIW | |
| R | 11-30-99 | RABO | HIW | RELEASED TO PRODUCTION | 36975-73 | HIW | HIW | |

DRAWN BY
RABO
 DATE
11-30-99
 CHECKED BY
HIW

MAT'L:
PVC

SCALE
NONE
 DRAWING NO.
36975-73
 DWG
A
 SIZE