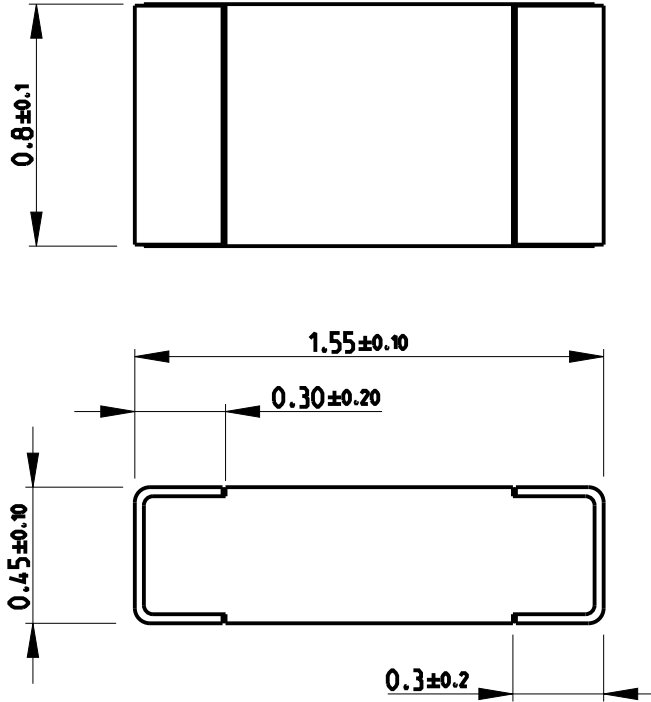


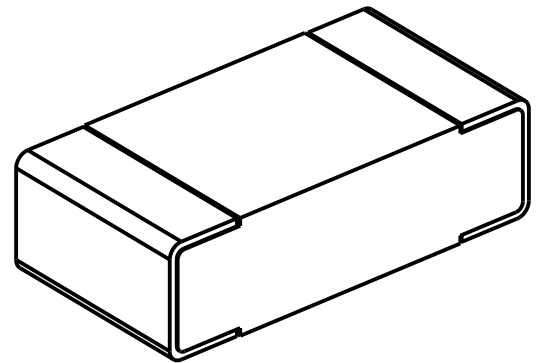
REVISIONS

P	LTR	DESCRIPTION	DATE	DWN	APVD
	BA1	ECR-14-009193	19JUN2014	KR	TN

FOR FURTHER INFORMATION SEE DATA SHEET FOR  
CPF SERIES-THIN FILM PRECISION CHIP RESISTORS



RoHS Compliant




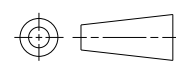
2008

RELEASED FOR PUBLICATION

ALL RIGHTS RESERVED.

BY -

© COPYRIGHT 2008

DIMENSIONS: mm	DWN SUBHASH.M	27-Sep-08	MATERIAL	-	FINISH	-
	CHK PRAKASH.S	27-Sep-08	 TE Connectivity			
TOLERANCES UNLESS OTHERWISE SPECIFIED:	APVD STEPHEN.P	27-Sep-08				
	0 PLC $\pm 0.2$	PRODUCT SPEC	NAME THIN FILM PRECISION CHIP RESISTORS			
1 PLC $\pm 0.1$	-	SERIES CPF 0603				
2 PLC $\pm$	APPLICATION SPEC	SIZE	CAGE CODE	DRAWING NO	RESTRICTED TO	
3 PLC $\pm$	-	A 4	00779	C-1879223	-	
4 PLC $\pm$	WEIGHT	-	Customer Drawing			
ANGLES $45^\circ$	-		SCALE	SHEET	REV	
	-		40:1	1 OF 1	BA1	