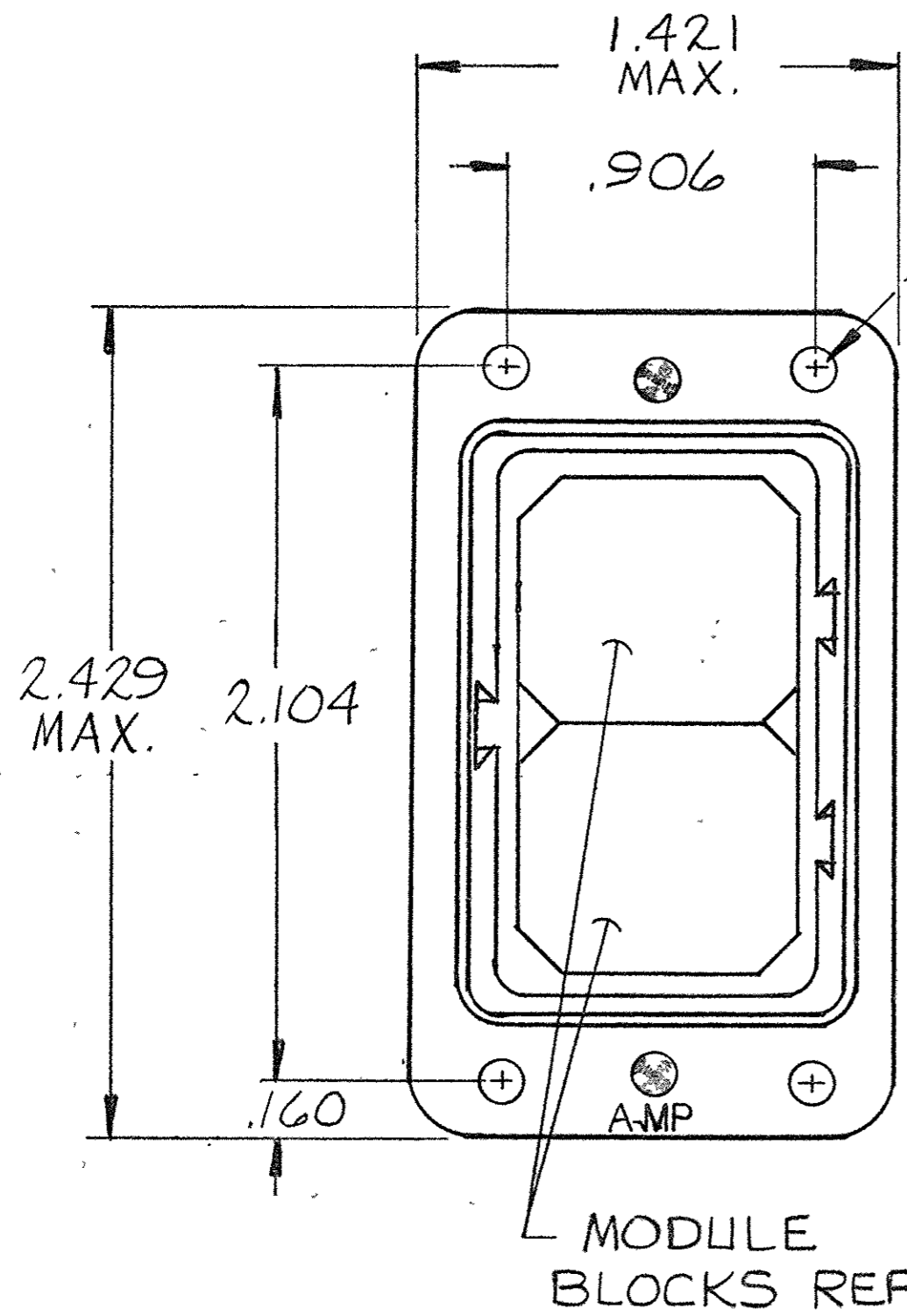


© 1964 BY AMP INCORPORATED. ALL RIGHTS RESERVED. AMP PRODUCTS COVERED BY PATENTS AND/OR PATENTS PENDING. APPROVED PER GOVT CONTRACT NO.

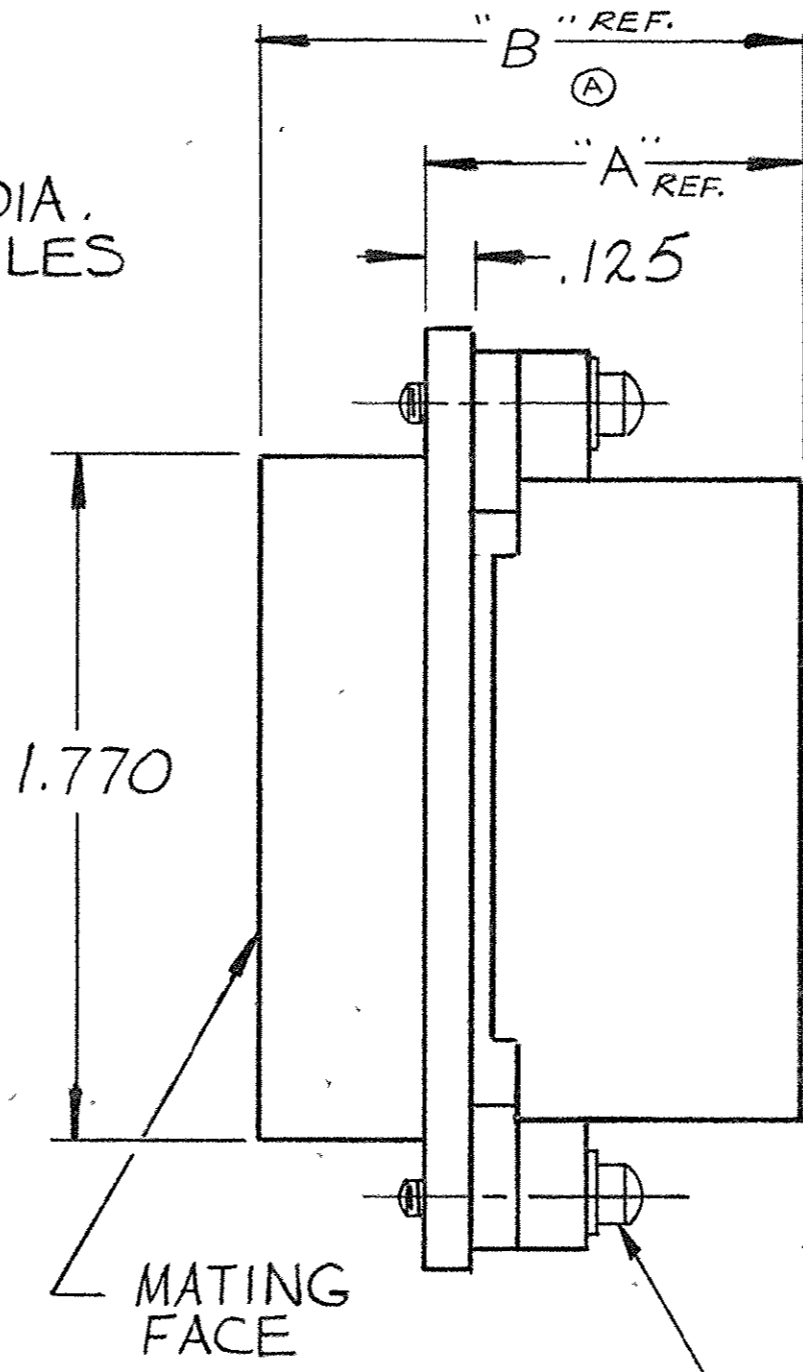
NUMBER 202681

Unpublished copy not to be distributed without written permission of AMP INCORPORATED, HARRISBURG, PA.

REVISIONS				
SYM	ZONE	DESCRIPTION	DATE	APPROVAL
O		RELEASED WAS M5012-296	12-30-64	W.B. / L.S.H.
A		REVISED W-421 W-524	8-2-5	M.S. DM
B		REVISED W-777	10-14-5	M.S. DH
C		REV. PER ECN Z-807, LIA	11-21-68	DM
D		REVISED D576	2-24-73	KV / JH
E		REV. / ECN H-220	8-14-80	CLZ
F		REV. / ECN R-1648	11-11-85	MPH / J.M.L.
G		REV PER DF-2235	T.W. 9-5-89	WES
H		REV PER DF-2547	J.M. 12-8-89	WES
J		REV PER ELD-05-001A12	AL 05/05	WES
K		REV PER ECO-05-005359	11/05	PY/DE



.120 DIA. (4) HOLES



- 202681-1. 1. AS SHOWN
- 202681-2. 1. SAME AS -1 EXCEPT:
2. FILLISTER HEAD SCREWS
- 202681-3. 1. SAME AS -2 EXCEPT:
2. "A" AND "B" DIMENSIONS.
- 202681-4. 1. SAME AS -3 EXCEPT:
2. HARDWARE IS NON-MAG. SST.
- 5-202681-2. 1. SAME AS -2 EXCEPT:
2. PLATING
- 5-202681-3. 1. SAME AS -3 EXCEPT:
2. PLATING

SUPERSEDED BY 5-2

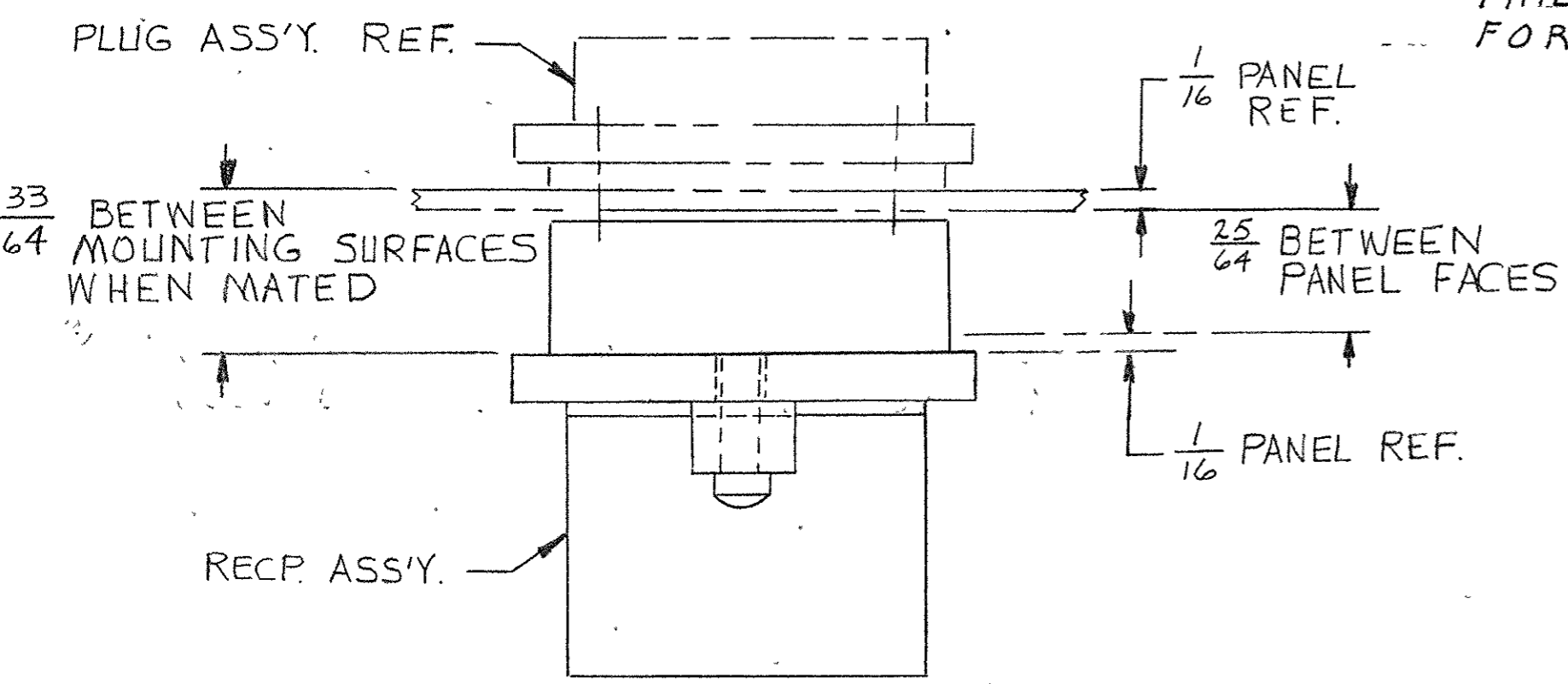
SUPERSEDED BY 5-3

NOTE:
 1. ZINC PLATE PER ASTM-B-633 CLASS 2 COLORLESS SUPPLEMENTARY CHROMATE.
 2. PLATED ELECTROLESS NICKEL PER SAE-AMS-C-26074 .000400-.000800 THK (NO INTENTIONAL ADDITIONS OF LEAD OR CADMIUM PER DFE STD 230-700).

PHILLIPS HD. SCREWS FOR -1 ONLY

SUPERSEDED BY 5-202681-3
 SUPERSEDED BY 5-202681-2

REV	SYM	ZONE	DESCRIPTION	DATE	APPROVAL
5	202681-3	.595	1.103		△
5	202681-2	1.001	1.509		△
	202681-4	.595	1.103		△
	202681-3	.595	1.103		△
	202681-2	1.001	1.509		△
	202681-1	1.001	1.509		△



AMP INFO	LOC	PRINT DIST	STY	REGD	NOMENCLATURE OR DESCRIPTION	PART OR IDENTIFYING NO	"A"	"B"	FINISH
	DF	J	BO						
UNLESS OTHERWISE SPECIFIED DIMENSIONS ARE IN INCHES TOLERANCES ON FRACTIONS DECIMALS ANGLES ± .005 ±									
MATERIAL		SIGNATURE		DATE		AMP INCORPORATED HARRISBURG, PENNSYLVANIA			
DIE CAST ALUMINUM		K. Jones		6/8/64		RECEPTACLE ASSEMBLY MODULE			
HEAT TREAT		CHKD		DATE		CODE IDENT NO			
— 1 —		R.S. Heide		1/8/65		00779 - C			
FINISH		DSGN ENGR		DATE		SIZE			
SEE NOTE 1		L.B. Miller		1-11-65		NUMBER			
		APPR		DATE		SCALE			
		WES		1/1/65		2-1			
		OTHER APPD				WT			
						CALC			
						ACTUAL			
						SHEET			
						2 CUSTOMER DRAWING			