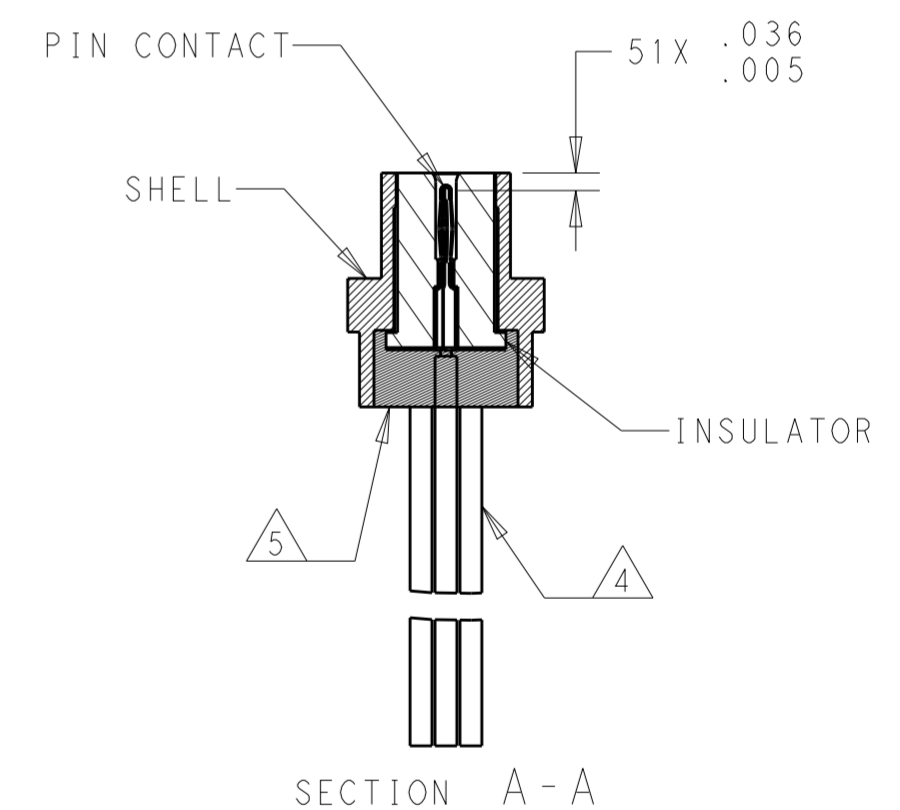
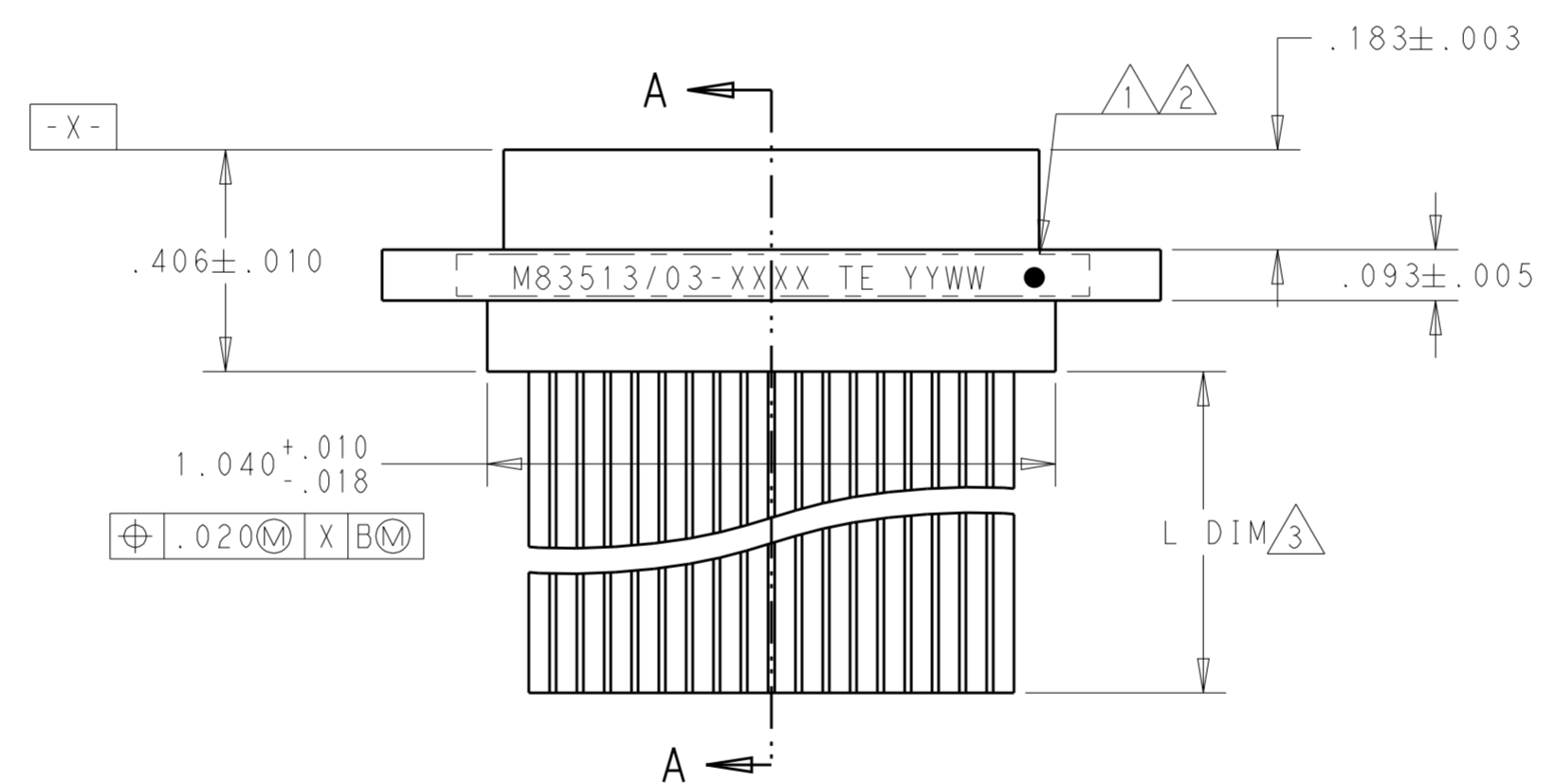
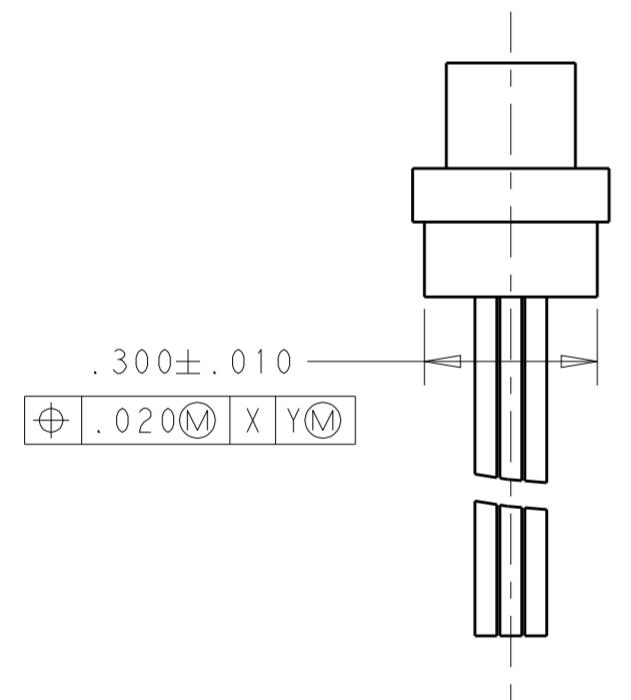
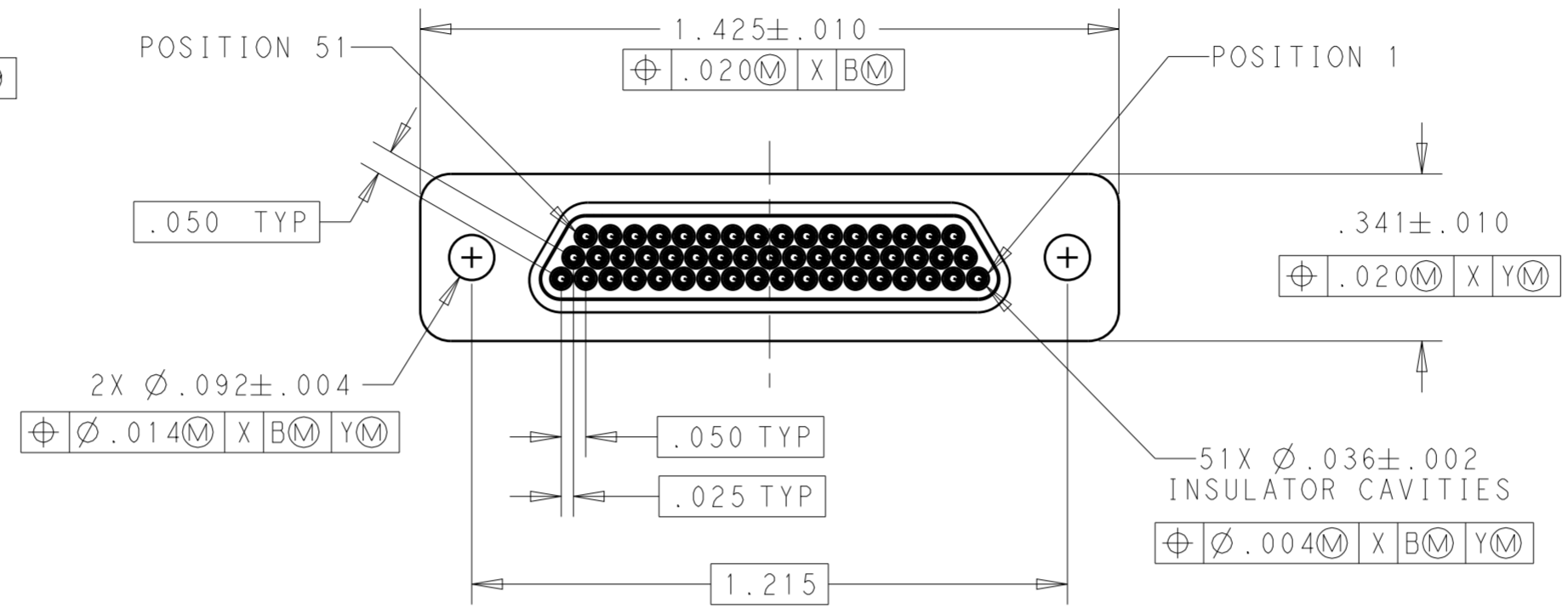
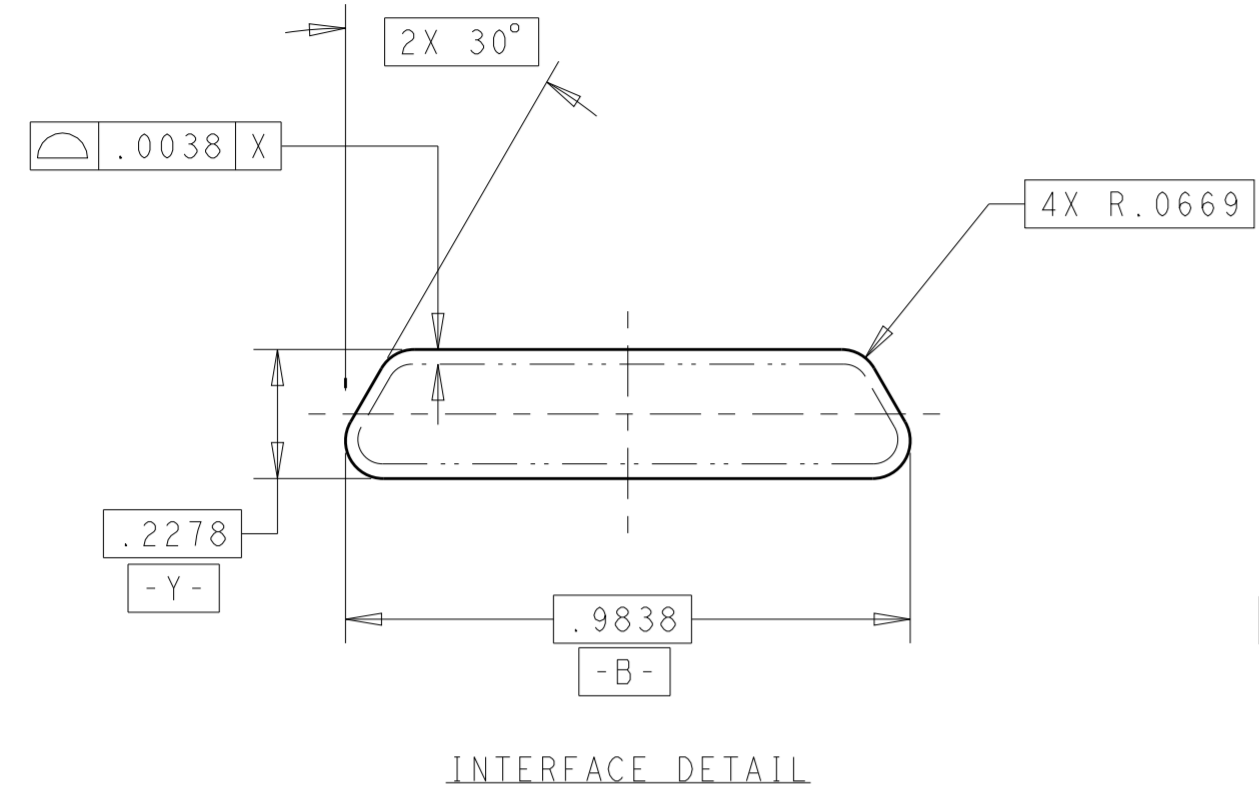


THIS DRAWING IS UNPUBLISHED. RELEASED FOR PUBLICATION 20  
 © COPYRIGHT 20 BY - ALL RIGHTS RESERVED.

REVISIONS				
P	LTR	DESCRIPTION	DATE	APVD
B		UPDATE PER ECO-16-006602	28APR2016	DS CS



- 1 CONNECTOR SHALL BE MARKED IN ACCORDANCE WITH METHOD 1 OF MIL-STD-1285. MARKING SHALL CONTAIN THE MILITARY PIN, CAGE CODE (OR TE), AND DATE CODE. EXAMPLE: M83513/03-XXXX TE YYWW (WHERE XXXX IS PART OF THE PIN SHOWN IN THE "MIL-DTL-83513" COLUMN OF THE PART NUMBER TABLE, AND YYWW IS THE DATE CODE). TEXT HEIGHT SHALL BE .035 INCH MINIMUM.
- 2 POSITION 1 SHALL BE INDICATED BY AN IDENTIFIABLE MARK, LOCATED APPROXIMATELY AS SHOWN ON THE POSITION 1 SIDE OF THE CONNECTOR FLANGE. THIS MARK SHALL BE INCLUDED AS PART OF THE PART MARKING INFORMATION.
- 3 LENGTH IS SHOWN IN THE "L DIM" COLUMN OF THE PART NUMBER TABLE. LENGTH TOLERANCE IS +1.0/-0.0 FOR INSULATED WIRE TERMINATIONS, AND +0.20/-0.00 FOR UNINSULATED WIRE TERMINATIONS
- 4 INSULATED WIRE IS SHOWN FOR REFERENCE ONLY. PART MAY BE TERMINATED WITH INSULATED OR UNINSULATED WIRE ACCORDING TO THE PART NUMBER TABLE.
- 5 EPOXY ENCAPSULATION. EPOXY MAY WICK .125 INCH MAX FOR INSULATED WIRE, AND .050 INCH MAX FOR UNINSULATED WIRE.
- 6 ALL DIMENSIONS AND REQUIREMENTS ARE PER MIL-DTL-83513/3.


THIS DRAWING IS A CONTROLLED DOCUMENT.		DWN B ROMANCHUK	03SEP2008	 TE Connectivity
DIMENSIONS: IN		CHK M STORRY	03SEP2008	
TOLERANCES UNLESS OTHERWISE SPECIFIED:		APVD		NAME PLUG ASSEMBLY MICRO-D PER MIL-DTL-83513/03 MCKS SERIES, 51 POSITION
0 PLC ±		PRODUCT SPEC		SIZE A2
1 PLC ±		APPLICATION SPEC		CAGE CODE 98278
2 PLC ±.010		WEIGHT		DRAWING NO C-1532185
3 PLC ±.005		CUSTOMER DRAWING		RESTRICTED TO
4 PLC ±		SCALE	3:1	SHEET 1 OF 2
ANGLES ±1°				REV B
FINISH				
MATERIAL SEE NOTES				

THIS DRAWING IS UNPUBLISHED. RELEASED FOR PUBLICATION 20  
 © COPYRIGHT 20 BY - ALL RIGHTS RESERVED.

REVISIONS				
P	LTR	DESCRIPTION	DATE	APVD
		SEE SHEET 1		

TE PART NUMBER	L DIM	MIL-DTL-83513 PIN	MICRODOT P/N	MCKS DESCRIPTION
1532185-1	18	M83513/03-G01N	094-6725-0001	MCKS-N1-B-51P6G1-18.0
1532185-2	36	M83513/03-G02N	094-6725-0002	MCKS-N1-B-51P6G1-36.0
1532185-3	18	M83513/03-G03N	094-6725-0003	MCKS-N1-B-51P6G9-18.0
1532185-4	36	M83513/03-G04N	094-6725-0004	MCKS-N1-B-51P6G9-36.0
1532185-5	18	M83513/03-G09N	094-6725-0009	MCKS-N1-B-51P6Q1-18.0
1532185-6	36	M83513/03-G10N	094-6725-0010	MCKS-N1-B-51P6Q1-36.0
1532185-7	18	M83513/03-G11N	094-6725-0011	MCKS-N1-B-51P6Q9-18.0
1532185-8	36	M83513/03-G12N	094-6725-0012	MCKS-N1-B-51P6Q9-36.0
1532185-9	72	M83513/03-G13N	094-6725-0013	MCKS-N1-B-51P6G1-72.0
1-1532185-0	72	M83513/03-G14N	094-6725-0014	MCKS-N1-B-51P6G9-72.0
1-1532185-1	72	M83513/03-G15N	094-6725-0015	MCKS-N1-B-51P6Q1-72.0
1-1532185-2	72	M83513/03-G16N	094-6725-0016	MCKS-N1-B-51P6Q9-72.0
1-1532185-3	0.5	M83513/03-G05N	094-6725-0005	MCKS-N1-B-51P5L4-0.5
1-1532185-4	1.0	M83513/03-G06N	094-6725-0006	MCKS-N1-B-51P5L4-1.0
1-1532185-5	0.5	M83513/03-G07N	094-6725-0007	MCKS-N1-B-51P5L5-0.5
1-1532185-6	1.0	M83513/03-G08N	094-6725-0008	MCKS-N1-B-51P5L5-1.0
1-1532185-7	18	M83513/03-G01C	094-6735-0001	MCKS-C2-B-51P6G1-18.0
1-1532185-8	36	M83513/03-G02C	094-6735-0002	MCKS-C2-B-51P6G1-36.0
1-1532185-9	18	M83513/03-G03C	094-6735-0003	MCKS-C2-B-51P6G9-18.0
2-1532185-0	36	M83513/03-G04C	094-6735-0004	MCKS-C2-B-51P6G9-36.0
2-1532185-1	0.5	M83513/03-G05C	094-6735-0005	MCKS-C2-B-51P5L4-0.5
2-1532185-2	1.0	M83513/03-G06C	094-6735-0006	MCKS-C2-B-51P5L4-1.0
2-1532185-3	0.5	M83513/03-G07C	094-6735-0007	MCKS-C2-B-51P5L5-0.5
2-1532185-4	1.0	M83513/03-G08C	094-6735-0008	MCKS-C2-B-51P5L5-1.0
2-1532185-5	18	M83513/03-G09C	094-6735-0009	MCKS-C2-B-51P6Q1-18.0
2-1532185-6	36	M83513/03-G10C	094-6735-0010	MCKS-C2-B-51P6Q1-36.0
2-1532185-7	18	M83513/03-G11C	094-6735-0011	MCKS-C2-B-51P6Q9-18.0
2-1532185-8	36	M83513/03-G12C	094-6735-0012	MCKS-C2-B-51P6Q9-36.0
2-1532185-9	72	M83513/03-G13C	094-6735-0013	MCKS-C2-B-51P6G1-72.0
3-1532185-0	72	M83513/03-G14C	094-6735-0014	MCKS-C2-B-51P6G9-72.0
3-1532185-1	72	M83513/03-G15C	094-6735-0015	MCKS-C2-B-51P6Q1-72.0
3-1532185-2	72	M83513/03-G16C	094-6735-0016	MCKS-C2-B-51P6Q9-72.0

TE PART NUMBER	L DIM	MIL-DTL-83513 PIN	MICRODOT P/N	MCKS DESCRIPTION
3-1532185-3	18	M83513/03-G01P	094-6745-0001	MCKS-P1-B-51P6G1-18.0
3-1532185-4	36	M83513/03-G02P	094-6745-0002	MCKS-P1-B-51P6G1-36.0
3-1532185-5	18	M83513/03-G03P	094-6745-0003	MCKS-P1-B-51P6G9-18.0
3-1532185-6	36	M83513/03-G04P	094-6745-0004	MCKS-P1-B-51P6G9-36.0
3-1532185-7	0.5	M83513/03-G05P	094-6745-0005	MCKS-P1-B-51P5L4-0.5
3-1532185-8	1.0	M83513/03-G06P	094-6745-0006	MCKS-P1-B-51P5L4-1.0
3-1532185-9	0.5	M83513/03-G07P	094-6745-0007	MCKS-P1-B-51P5L5-0.5
4-1532185-0	1.0	M83513/03-G08P	094-6745-0008	MCKS-P1-B-51P5L5-1.0
4-1532185-1	18	M83513/03-G09P	094-6745-0009	MCKS-P1-B-51P6Q1-18.0
4-1532185-2	36	M83513/03-G10P	094-6745-0010	MCKS-P1-B-51P6Q1-36.0
4-1532185-3	18	M83513/03-G11P	094-6745-0011	MCKS-P1-B-51P6Q9-18.0
4-1532185-4	36	M83513/03-G12P	094-6745-0012	MCKS-P1-B-51P6Q9-36.0
4-1532185-5	72	M83513/03-G13P	094-6745-0013	MCKS-P1-B-51P6G1-72.0
4-1532185-6	72	M83513/03-G14P	094-6745-0014	MCKS-P1-B-51P6G9-72.0
4-1532185-7	72	M83513/03-G15P	094-6745-0015	MCKS-P1-B-51P6Q1-72.0
4-1532185-8	72	M83513/03-G16P	094-6745-0016	MCKS-P1-B-51P6Q9-72.0

THIS DRAWING IS A CONTROLLED DOCUMENT.		DWN B ROMANCHUK	03SEP2008	 TE Connectivity	
DIMENSIONS: IN		CHK -	-		
TOLERANCES UNLESS OTHERWISE SPECIFIED:		APVD M. STORRY	03SEP2008	NAME PLUG ASSEMBLY	
0 PLC ±		PRODUCT SPEC	-	MICRO-D PER MIL-DTL-83513/03	
1 PLC ±		APPLICATION SPEC	-	MCKS SERIES, 51 POSITION	
2 PLC ±.010		SIZE	A2	CAGE CODE	98278
3 PLC ±.005		DRAWING NO	G-1532185	RESTRICTED TO	-
4 PLC ±		WEIGHT	-	SCALE	3:1
ANGLES ±1°		CUSTOMER DRAWING	-	SHEET	2 OF 2
FINISH		-	-	REV	B