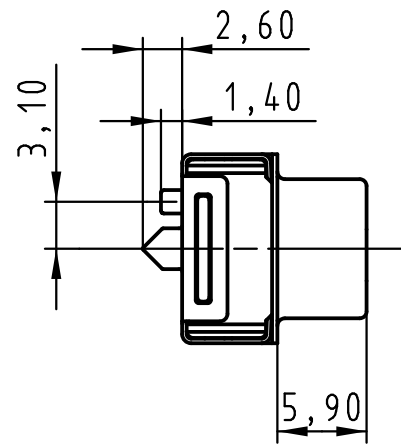
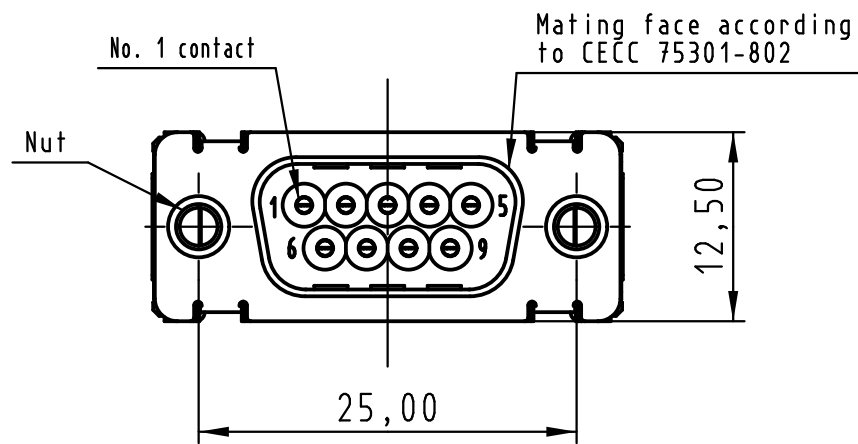
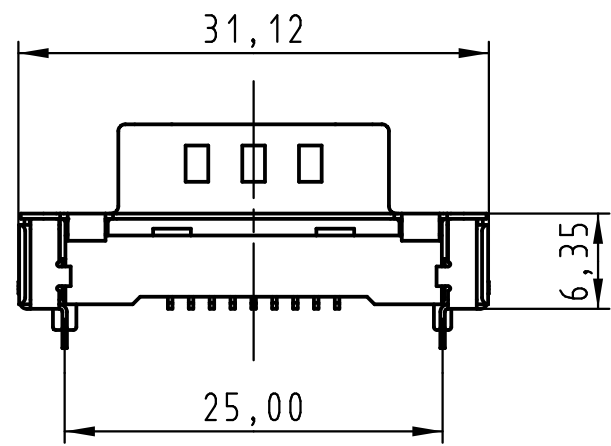
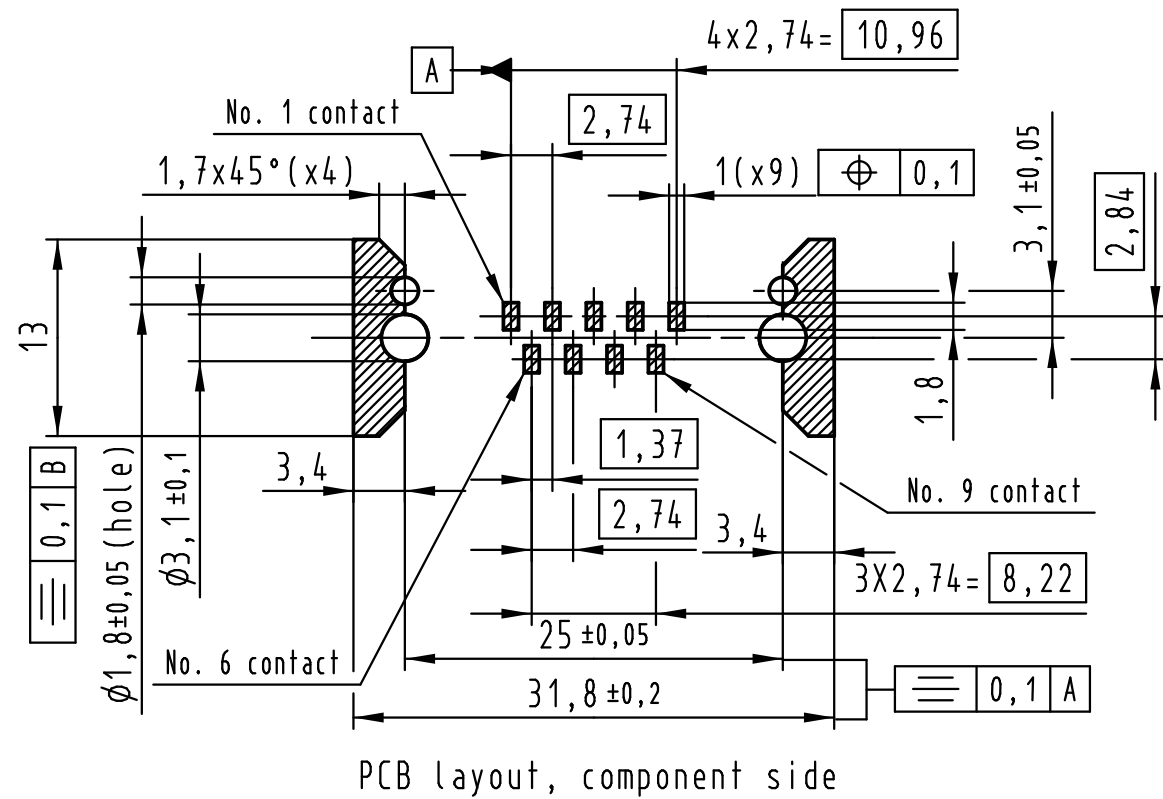
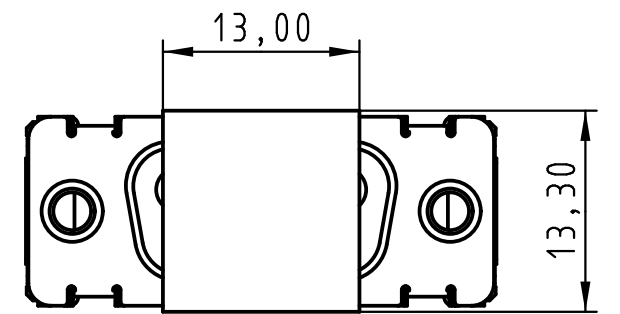
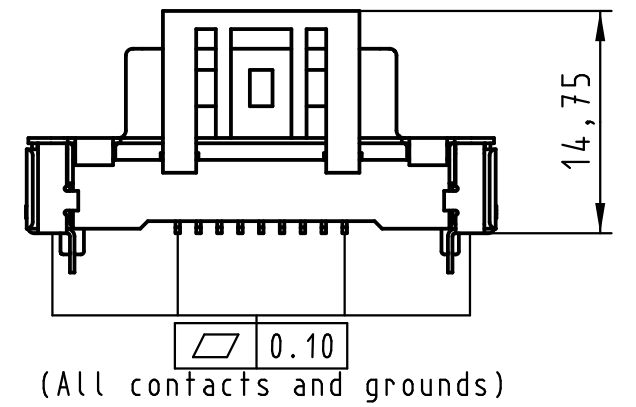


All rights reserved



Load vacuum cover

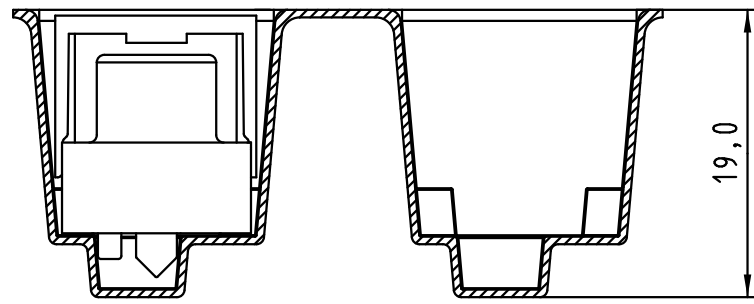


Max. Temperature: 260° during 10 seconds.

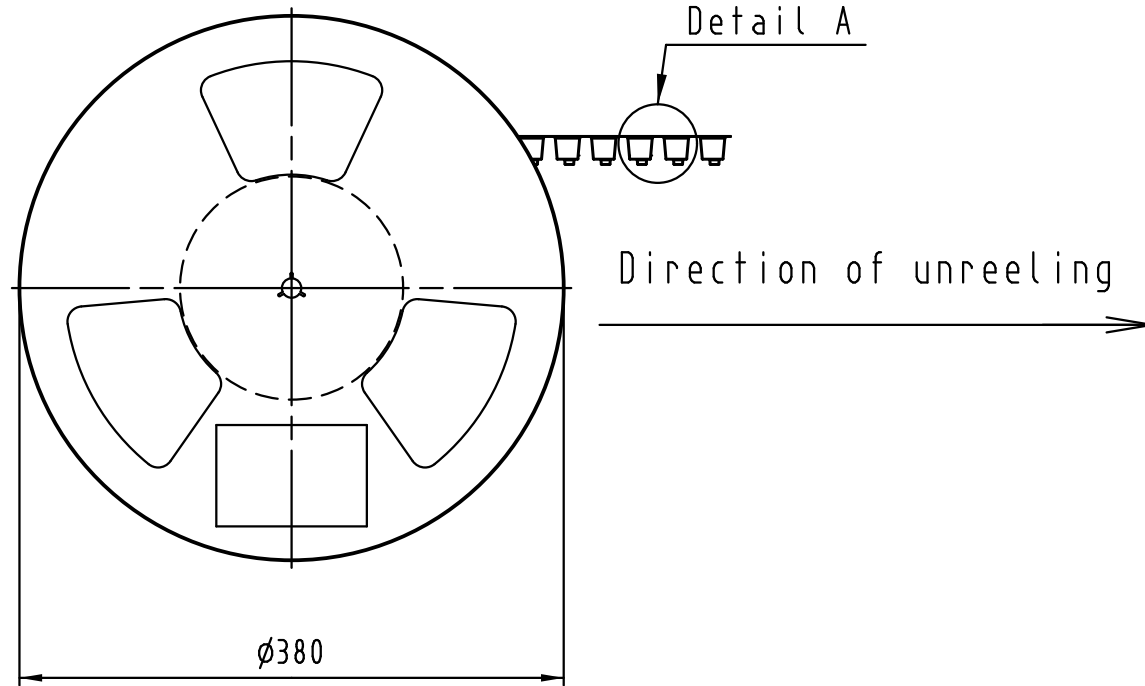
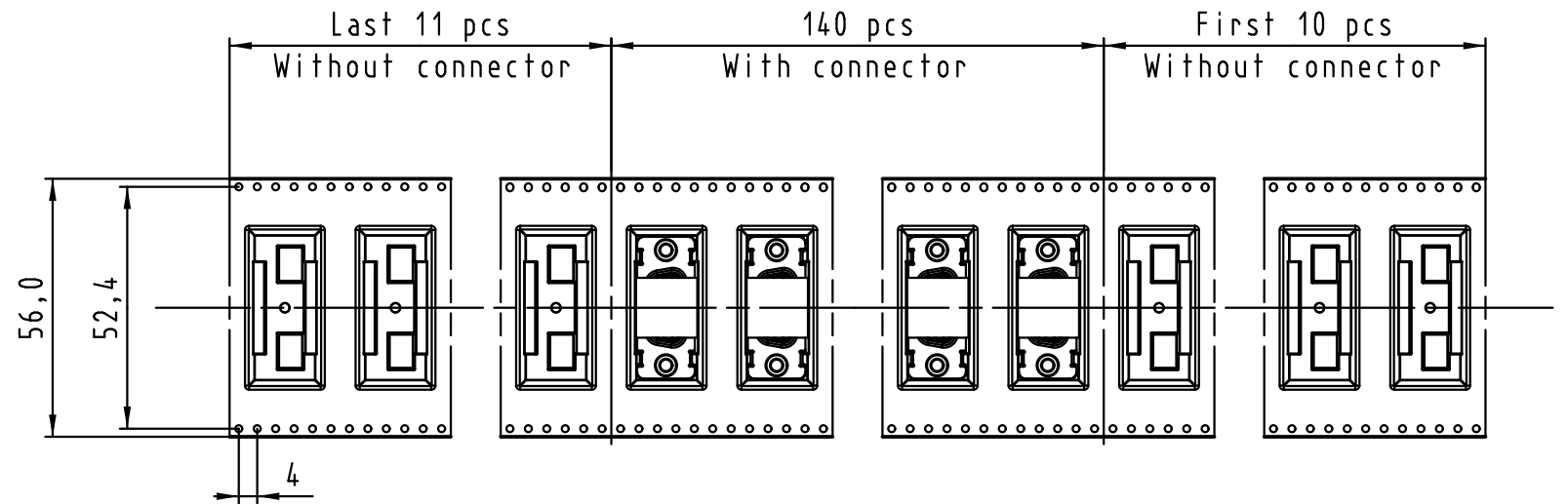
0955 169 3811 741	1	M3	Black insulator	Reel Packaging: 140 connectors (See details on page 2/2)
0955 169 3812 741	1	4-40 UNC		
0955 169 6811 741	2	M3		
0955 169 6812 741	2	4-40 UNC		
0955 169 7811 741	3	M3		
0955 169 7812 741	3	4-40 UNC		

Part number	PL	Nut	Index designation	
All Dimensions in mm Original Size DIN A 3			Free size tolerances	
Techn. Character.		Scale		
Dat.		Name		2 : 1
Detail.		14-Sep-11 Johnson.S		
Insp.		17-Nov-11 Steven.W		
Stand.		17-Nov-11 Steven.W		D-Sub SMT, 9 poles Male, Straight with nuts and ground pins
Mod.		Name		
Zhuhai HARTING Limited			TB 09 55 169 x81x	Page 1/2
Sub.				

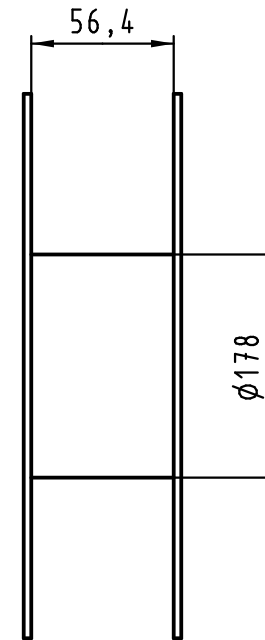
All rights reserved



Detail A



Detail A



See TB 09 55 169 x81x folio 1/2 for connector dimensions and PCB layout

Packaging in accordance with EIA 481-2.

0955 169 3811 741	1	M3	Black insulator	Reel Packaging: 140 connectors
0955 169 3812 741	1	4-40 UNC		
0955 169 6811 741	2	M3		
0955 169 6812 741	2	4-40 UNC		
0955 169 7811 741	3	M3		
0955 169 7812 741	3	4-40 UNC		
Part number	PL	Nut	Index designation	

All Dimensions in mm Original Size DIN A 3			Techn. Character.			Free size tolerances		
				Dat.	Name	D-Sub SMT, 9 poles Male, Straight with nuts and ground pins		
			Detail.	14-Sep-11	Johnson.S			
			Insp.	17-Nov-11	Steven.W			
			Stand.	17-Nov-11	Steven.W			
EC04070	17-Nov-11	Johnson.S	Zhuhai HARTING Limited			TB 09 55 169 x81x		
Mod.	Dat.	Name				Sub. Page 2/2		