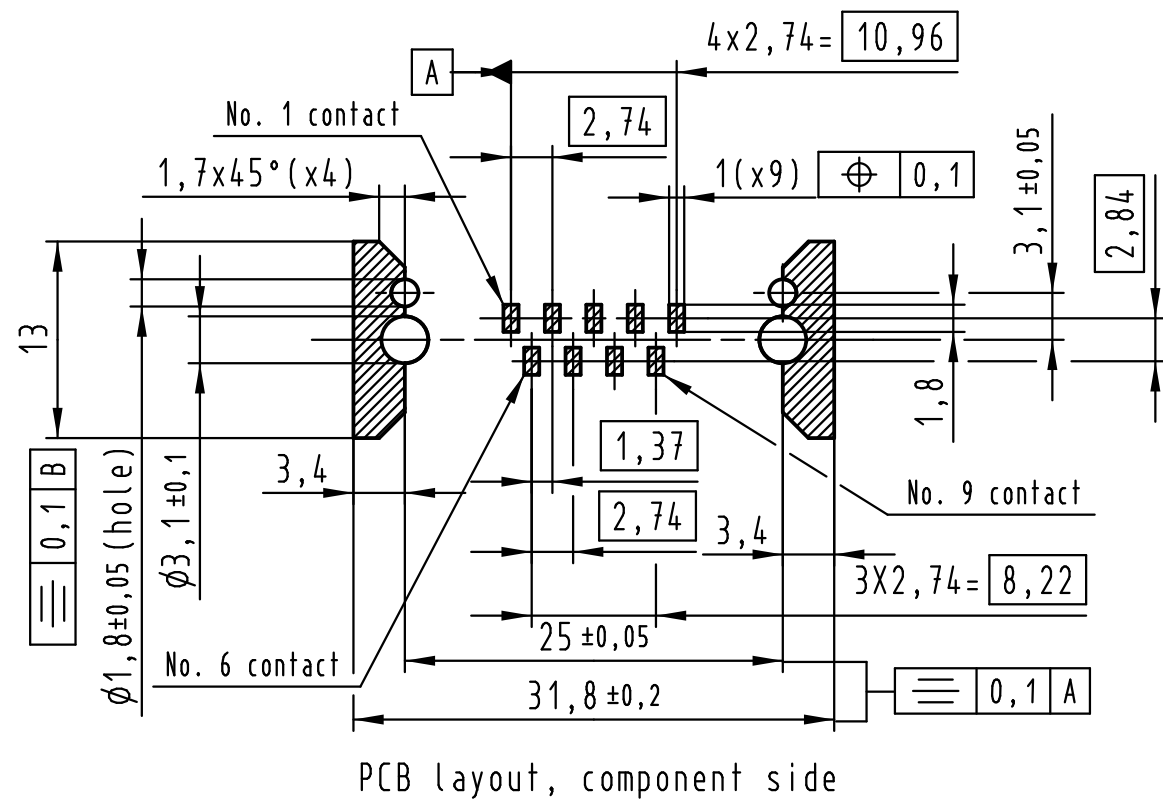
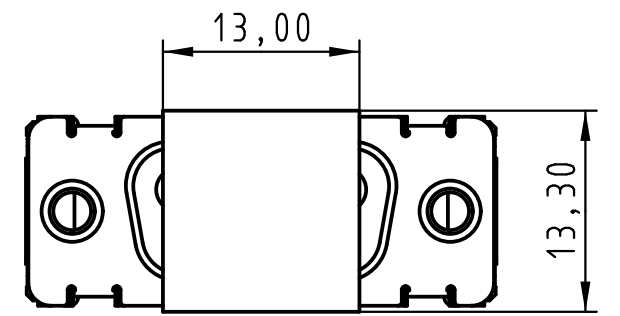
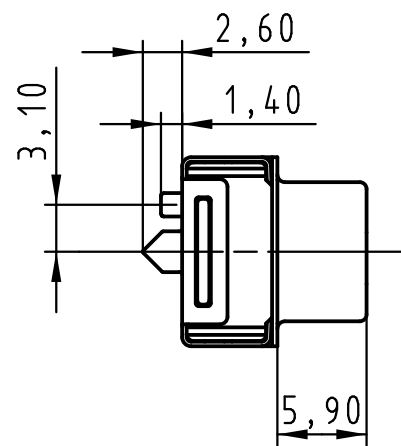
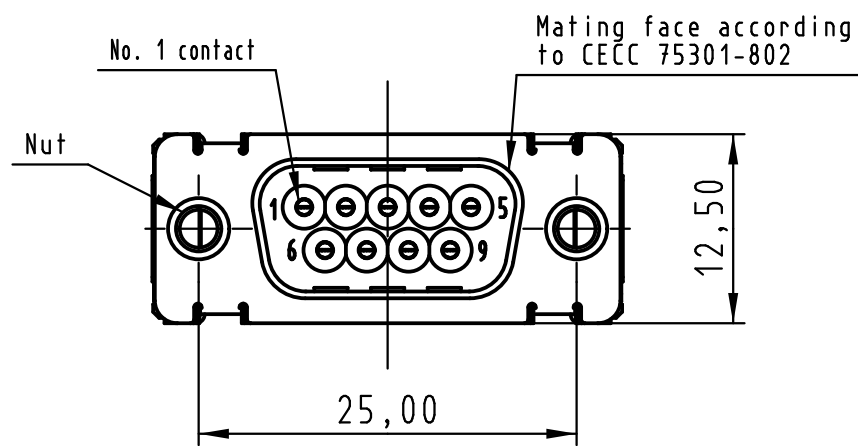
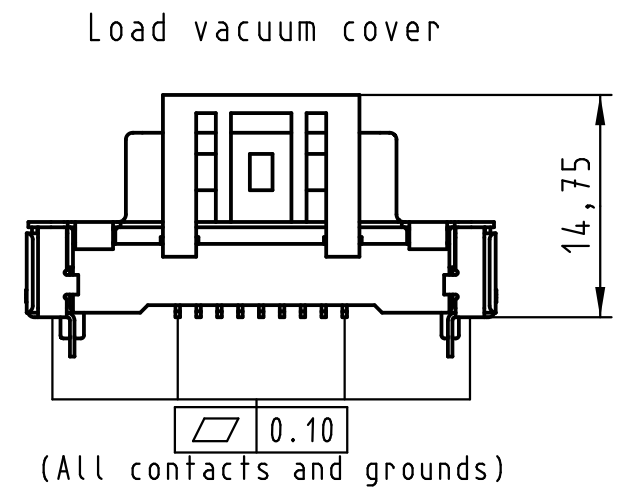
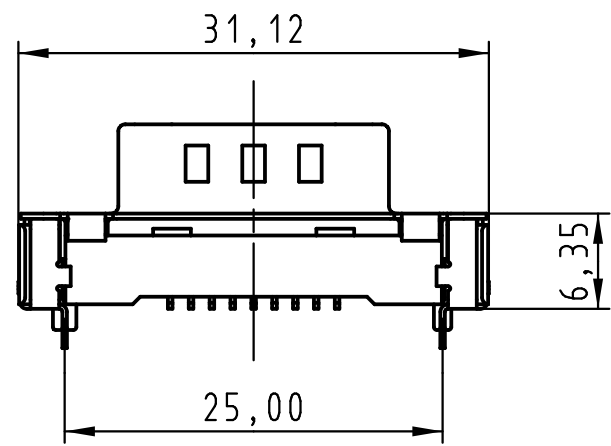


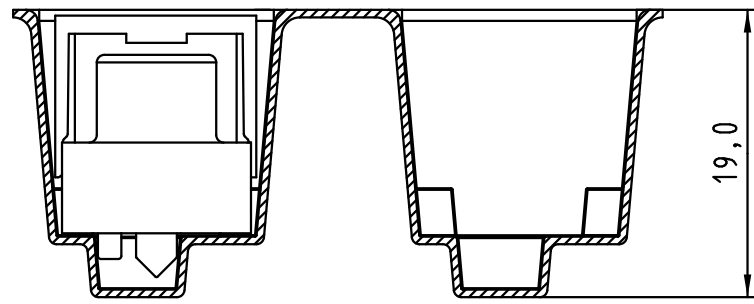
All rights reserved



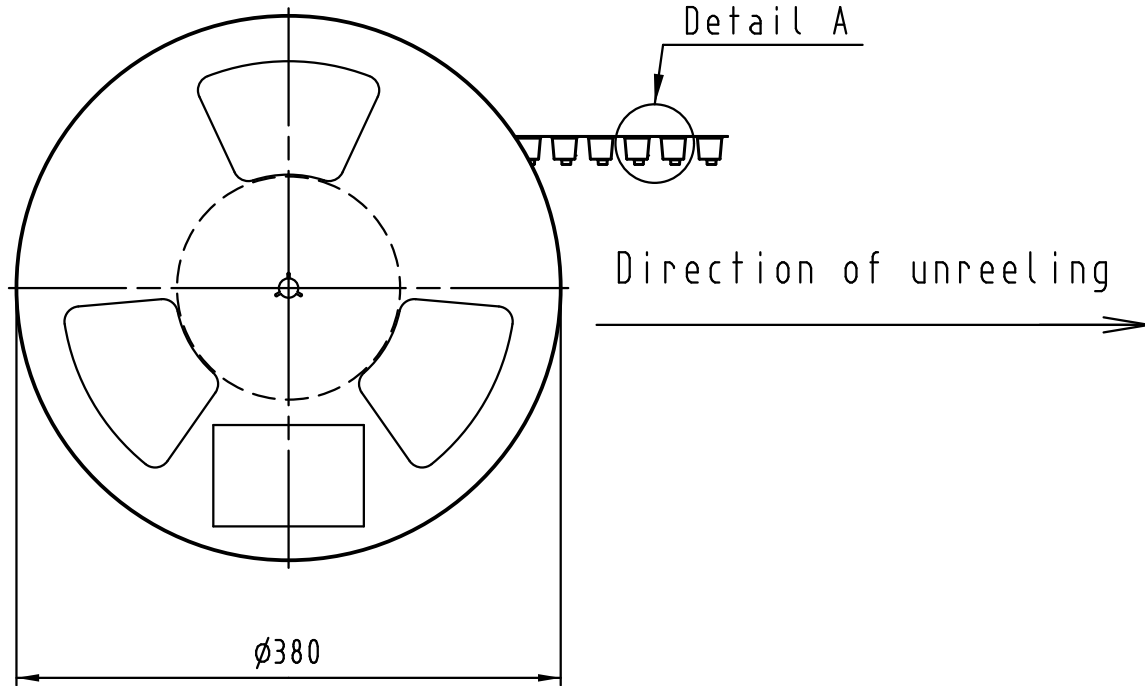
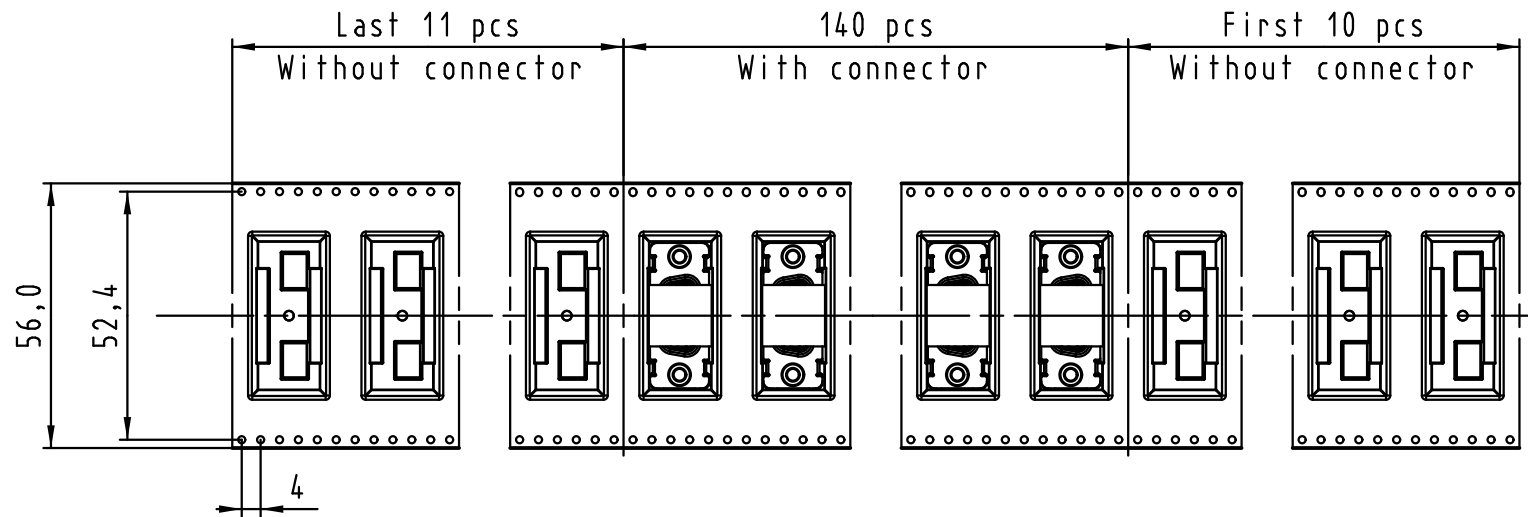
Max. Temperature: 260° during 10 seconds.

| | | | | | | | | | | | | | | | | | | |
|-------------------|-----------|---|------------------------|--|------|------|-------|--|-----------|-----------|-----|--|-----------|----------|--|-----------|----------|---|
| 0955 169 3811 741 | 1 | M3 | Black insulator | Reel Packaging: 140 connectors (See details on page 2/2) | | | | | | | | | | | | | | |
| 0955 169 3812 741 | 1 | 4-40 UNC | | | | | | | | | | | | | | | | |
| 0955 169 6811 741 | 2 | M3 | | | | | | | | | | | | | | | | |
| 0955 169 6812 741 | 2 | 4-40 UNC | | | | | | | | | | | | | | | | |
| 0955 169 7811 741 | 3 | M3 | | | | | | | | | | | | | | | | |
| 0955 169 7812 741 | 3 | 4-40 UNC | | | | | | | | | | | | | | | | |
| Part number | PL | Nut | Index designation | | | | | | | | | | | | | | | |
| | | Techn. Character. | | Free size tolerances | | | | | | | | | | | | | | |
| | | <table border="1"> <tr> <td></td> <td>Dat.</td> <td>Name</td> <td>Scale</td> </tr> <tr> <td></td> <td>14-Sep-11</td> <td>Johnson.S</td> <td rowspan="3">2:1</td> </tr> <tr> <td></td> <td>17-Nov-11</td> <td>Steven.W</td> </tr> <tr> <td></td> <td>17-Nov-11</td> <td>Steven.W</td> </tr> </table> | | | Dat. | Name | Scale | | 14-Sep-11 | Johnson.S | 2:1 | | 17-Nov-11 | Steven.W | | 17-Nov-11 | Steven.W | D-Sub SMT, 9 poles Male, Straight with nuts and ground pins |
| | Dat. | Name | Scale | | | | | | | | | | | | | | | |
| | 14-Sep-11 | Johnson.S | 2:1 | | | | | | | | | | | | | | | |
| | 17-Nov-11 | Steven.W | | | | | | | | | | | | | | | | |
| | 17-Nov-11 | Steven.W | | | | | | | | | | | | | | | | |
| EC04070 | 17-Nov-11 | Johnson.S | Zhuhai HARTING Limited | | | | | | | | | | | | | | | |
| Mod. | Dat. | Name | TB 09 55 169 x81x | | | | | | | | | | | | | | | |
| | | | | Page 1/2 | | | | | | | | | | | | | | |

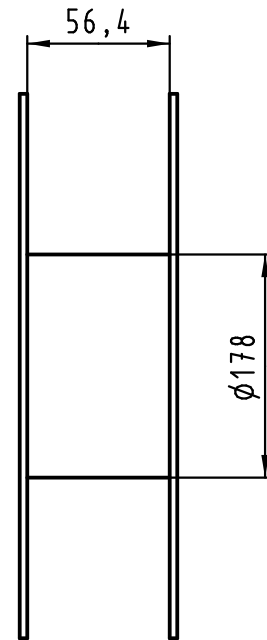
All rights reserved



Detail A



Detail A



See TB 09 55 169 x81x folio 1/2 for connector dimensions and PCB layout

Packaging in accordance with EIA 481-2.

| | | | | |
|-------------------|----|----------|-------------------|-----------------------------------|
| 0955 169 3811 741 | 1 | M3 | Black insulator | Reel Packaging: 140 connectors |
| 0955 169 3812 741 | 1 | 4-40 UNC | | |
| 0955 169 6811 741 | 2 | M3 | | |
| 0955 169 6812 741 | 2 | 4-40 UNC | | |
| 0955 169 7811 741 | 3 | M3 | | |
| 0955 169 7812 741 | 3 | 4-40 UNC | | |
| Part number | PL | Nut | Index designation | |

| | | | | | | |
|---|-------------------|-----------|------------------------|----------------------|---|--|
| All Dimensions in mm Original Size DIN A 3 | Techn. Character. | | | Free size tolerances | | |
| | | Dat. | Name | Scale | | |
| | | Detail. | 14-Sep-11 | Johnson.S | D-Sub SMT, 9 poles Male, Straight with nuts and ground pins | |
| | | Insp. | 17-Nov-11 | Steven.W | | |
| | Stand. | 17-Nov-11 | Steven.W | | | |
| EC04070 | 17-Nov-11 | Johnson.S | Zhuhai HARTING Limited | | TB 09 55 169 x81x | |
| Mod. | Dat. | Name | | | Sub. | |