

6

5

4

3

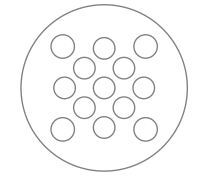
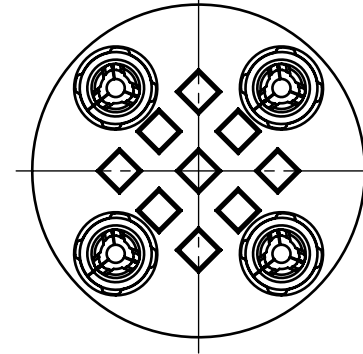
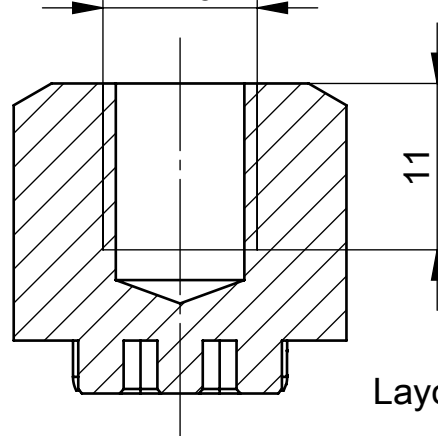
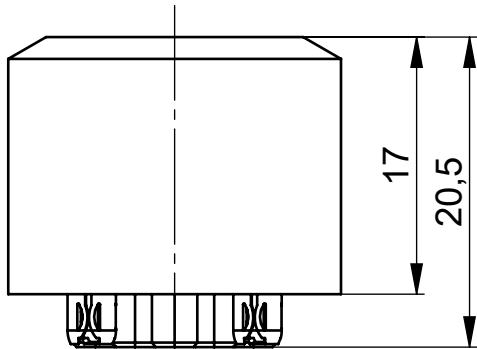
2

1

Für Layouter - Maßstab 1:1

SCHNITT C-C
M10

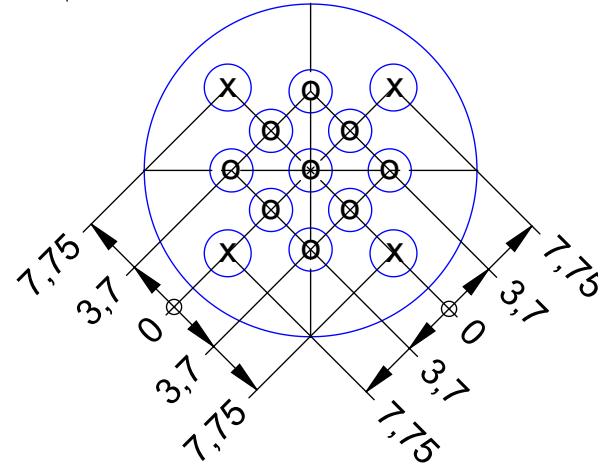
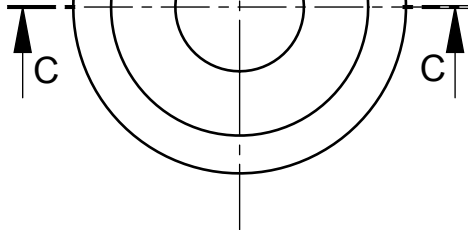
ANSICHT A



Layoutvorgabe (Ansicht PCB)

A

Ø 22



Lochspezifikation:

o
 Bohrdurchmesser: $\phi 3,00^{+0,00}_{-0,03}$
 Enddurchmesser chem. Zinn: $\phi 2,875^{+0,05}_{-0,05}$
 (Cu: min. 30µm - max. 60µm)
 Enddurchmesser HAL bleifrei: $\phi 2,85^{+0,05}_{-0,05}$
 (Cu: min. 25µm, Sn: max. 15µm)

x
 Bohrdurchmesser: $\phi 3,20^{+0,00}_{-0,03}$
 Enddurchmesser: $\phi 3,10^{+0,04}_{-0,06}$

Copyright by ERNI GmbH
Proprietary notice pursuant to ISO 16016 to be observed.

Material / Surface		Tolerances		Scale	2:1	Original drawing	
		All Dimensions in mm		Drawing Number			
				225417			
		Date		Designation			
		Name		ERNI BCS Powerelement			
		Drawn		Buchse M10			
		Checked					
		Approved					
		Date		Customer Part Number			
		Name					
		Index		A4			
		Modification Nr.					
		Date					
		Name					
		Date					
		Name					
		Date					
		Name					
		Date					
		Name					



6

5

4

3

2

1

1080200004

Mouser Electronics

Authorized Distributor

Click to View Pricing, Inventory, Delivery & Lifecycle Information:

[ERNI Electronics:](#)

[225417](#)