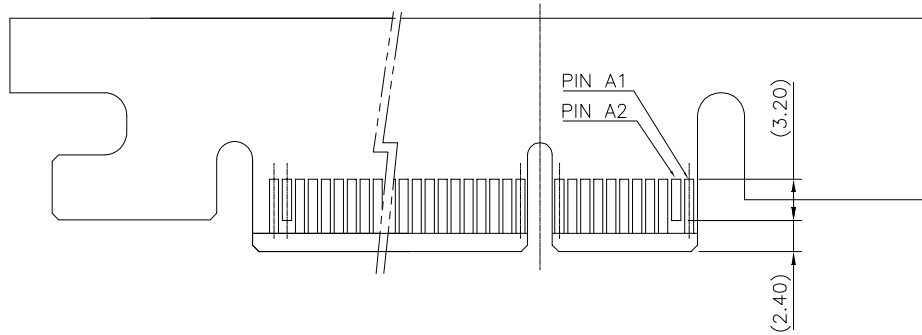
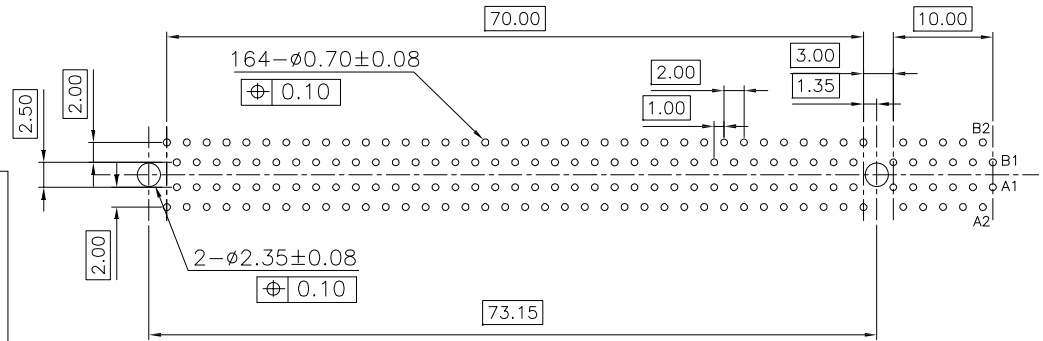


ADD-IN CARD EDGE-FINGER DIMENSIONS

I/O PANEL DIRECTION
PRIMARY (COMPONENT) SIDE



I/O PANEL DIRECTION
SECONDARY (SOLDER) SIDE



RECOMMENDED FOOTPRINT LAYOUT



mat'l. code				tolerances unless otherwise specified			CUSTOMER COPY		FCI www.fciconnect.com	
ltr	ecn no	dr	date	linear	.X ± 0.38		projection	title PCI-E INTEGRATED TYPE GEN3 CARD EDGE ASS'Y		
					.XX ± 0.25					
					.XXX ± 0.10					
				angles	0° ± 2°		MM	product family		code
				dr	STONE LI	05/27/15		EDGE CARD		TWN
				enr	STONF LI	05/27/15		size dwg no		sheet
				chr	/	/	scale	A4		2 of
				appd	PM ZHENG	05/27/15	1:1	10083987		
sheet index	revision sheet							cage code		
								22526		

NOTES:

1.MATERIAL:

HOUSING: THERMOPLASTIC WITH GLASS FIBER, UL94V-0,
LATCHS: THERMOPLASTIC WITHOUT GLASS FIBER, UL94-HB (PA66).
CONTACTS: COPPER ALLOY.

2.FINISH:

CONTACTS: GOLD PLATING ON CONTACT AREA,
60u" MATTE TIN (LEAD FREE OPTION) PLATING ON SOLDER TAILS,
50u" MIN. NICKEL UNDERPLATING OVER ALL.

3. WARNING: THE MAXIMUM ALLOWABLE ANGLE TO WITHDRAWAL THE DAUGHTER CARD FROM RETAINER BY 25 DEGREE.

4. DURABILITY: 50 CYCLES.

5. RoHS COMPATIBLE PRODUCT SPECIFICATIONS

- a. PLATING: "LF" MEANS THE PRODUCT IS LEAD FREE, 1.5um min. MATTE PURE TIN OVER 1.27um MIN. NICKEL UNDERPLATE.
- b. MANUFACTURING PROCESS COMPATIBILITY: THE HOUSING WILL WITHSTAND EXPOSURE TO 260C±5C SOLDER BATH TEMPERATURE FOR 5 SECONDS IN A WAVE SOLDER APPLICATION WITH A 1.57MM THICK CIRCUIT BOARD.

PRODUCT NUMBER CODE

10083987 -x x x x x x LF

HOUSING COLOR OPTIONS

- 1-BLACK FOR BASE & RM
- 4-BLUE (297C) FOR BASE & RM

PEGS OPTIONS

- 1-PLASTIC POST

TERMINAL PLATING OPTIONS

- 0-50u" Ni UNDERPLATE
30u" Au CONTACT AREA
100u" TIN TAIL AREA
- 1-50u" Ni UNDERPLATE
15u" Au CONTACT AREA
100u" TIN TAIL AREA
- 2-50u" Ni UNDERPLATE
GOLD FLASH CONTACT AREA
100u" TIN TAIL AREA

APPLICATIONS

LF- LEAD FREE FOR PLATING OPTIONS 0,1,2

PACKAGING OPTIONS

T-TRAY PACKAGING

POS OPTIONS

3-164

TAIL LENGTH OPTION (DIM.A)

- 1- 3.10MM
- 2- 2.30MM



mat'l. code				tolerances unless otherwise specified			CUSTOMER COPY		 www.fciconnect.com	
ltr	ecn no	dr	date	linear	.X ± 0.38	projection		title		
					.XX ± 0.25			PCI-E INTEGRATED TYPE GEN3 CARD EDGE ASS'Y		
				angles	.XXX ± 0.10			product family		code
				dr	0° ± 2°	MM		EDGE CARD		TWN
				engr		scale		size		sheet
				chr		1:1		10083987		3 of
				appd						
sheet index		revision sheet								

cage code
22526