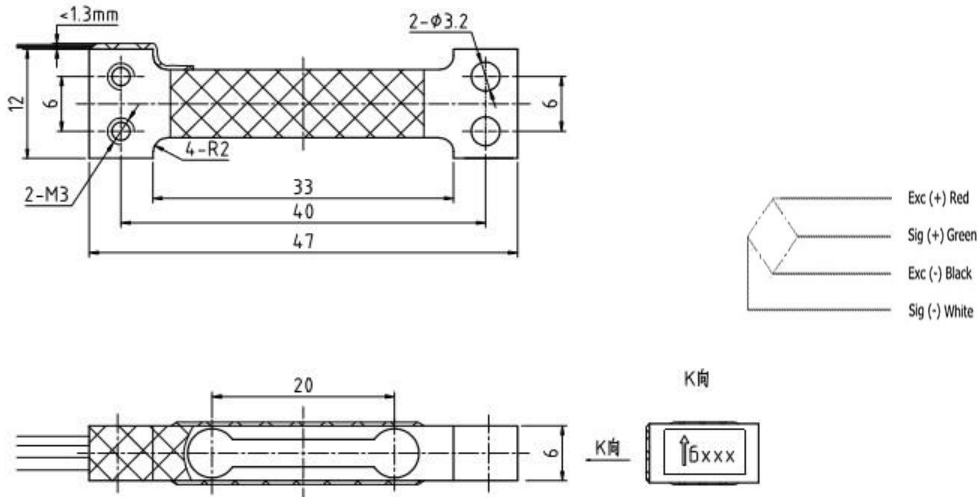


Features:

- ◆ Capacity : 100-1500g
- ◆ Material: aluminum-alloy
- ◆ Type: Parallel beam type
- ◆ Defend grade: IP65
- ◆ Application : body scales, hand scales, kitchen scales, postal scales, fishing scales, baby body scales and other micro electronic weighing systems.

Electrical connection and Dimensions:(dimension unit: mm)



Specifications:

capacity	g	100, 150, 200	300,500,750	1000,1500
rated output	mV/V	0.6 ± 0.15	0.7 ± 0.15	1.0 ± 0.15
safe overload	%FS	150		
ultimate overload	%FS	200		
excitation voltage	Vdc	≤ 6		
combined error	%FS	0.05		
zero balance	%FS	± 0.1		
non-linearity	%FS	± 0.05		
hysteresis	%FS	± 0.05		
repeatability	%FS	± 0.05		
creep	%FS/3min	± 0.05		
input resistance	Ω	1090 ± 10		
output resistance	Ω	1000 ± 10		
insulation resistance	M Ω	$\geq 2000 @ 50 \text{ Vdc}$		
operating temperature range	$^{\circ}\text{C}$	$-10 \sim +40$		
compensated temperature range	$^{\circ}\text{C}$	$-20 \sim +60$		
temperature coefficient of SPAN	%FS/ 10°C	± 0.1		
temperature coefficient of ZERO	%FS/ 10°C	± 0.1		
Corner correction	%FS	± 0.1		
Electrical connection	cable	4 color wire, $\varnothing 0.6 \times 110 \text{ mm}$ excitation(+):Red excitation(-):Black signal(+):Green signal(-):White		

※Ordering code: model-capacity- rated output-accuracy-defend grade- the length of cable