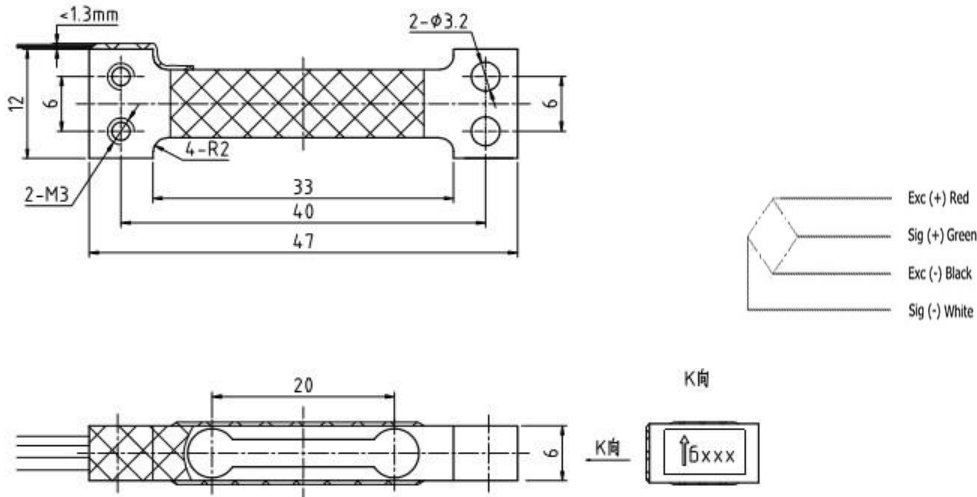


**Features:**

- ◆ Capacity : 100-1500g
- ◆ Material: aluminum-alloy
- ◆ Type: Parallel beam type
- ◆ Defend grade: IP65
- ◆ Application : body scales, hand scales, kitchen scales, postal scales, fishing scales, baby body scales and other micro electronic weighing systems.

**Electrical connection and Dimensions:(dimension unit: mm)**



**Specifications:**

capacity	g	100, 150, 200	300,500,750	1000,1500
rated output	mV/V	0.6 ± 0.15	0.7 ± 0.15	1.0 ± 0.15
safe overload	%FS	150		
ultimate overload	%FS	200		
excitation voltage	Vdc	≤6		
combined error	%FS	0.05		
zero balance	%FS	± 0.1		
non-linearity	%FS	± 0.05		
hysteresis	%FS	± 0.05		
repeatability	%FS	± 0.05		
creep	%FS/3min	± 0.05		
input resistance	Ω	1090 ± 10		
output resistance	Ω	1000 ± 10		
insulation resistance	M Ω	≥ 2000 @ 50 Vdc		
operating temperature range	°C	-10 ~ +40		
compensated temperature range	°C	-20 ~ +60		
temperature coefficient of SPAN	%FS/10°C	± 0.1		
temperature coefficient of ZERO	%FS/10°C	± 0.1		
Corner correction	%FS	± 0.1		
Electrical connection	cable	4 color wire, Ø0.6 × 110 mm excitation(+):Red excitation(-):Black signal(+):Green signal(-):White		

※Ordering code: model-capacity- rated output-accuracy-defend grade- the length of cable