

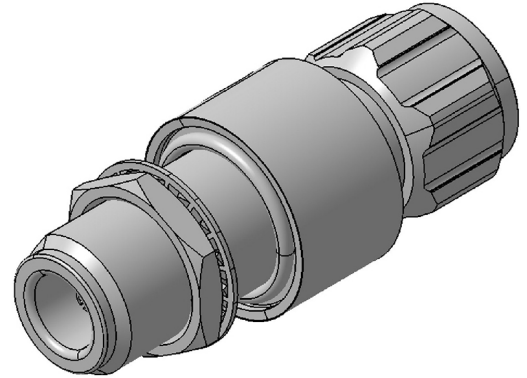
EMP Protector 3406.17.0028

Description

Slim Line GDT technology

Benefits

- Broad-band design
- DC continuity for remote powering
- The protector can also be installed reversely
- Fix installed GDT, static sparkover-voltage nom. 90 V
- Compliant to IEC 61643-21



Product Configuration

Main path connectors	Port 1: <u>unprotected</u> , N plug (male) - Port 2: <u>protected</u> , N jack (female)
Mounting and grounding	MH24 (bulkhead mounting), brk (bracket)
Side of bulkhead	protected side

Technical Data

Electrical Data

Impedance	50 Ω
Frequency range	0 - 4000 MHz
Return loss	≥ 20 dB
Insertion loss	≤ 0.2 dB
RF CW power	≤ 21 W
PIM 3rd order	not specified

Surge current handling capability	10 single / 5 multiple kA (test pulse 8/20 μs)
Residual pulse energy	250 μJ typically (test pulse 4 kV 1.2/50 μs / 2 kA 8/20 μs) main path - protected side

Mechanical Data

Number of matings	500
Weight	75 g

Environmental Data

Operating temperature	-40 °C to +85 °C
Waterproof degree	IP68 (according to IEC 60529, data refer to the coupled state)
2011/65/EU (RoHS - including 2015/863 and 2017/2102)	compliant acc. Annex III

Material Data

Piece Parts	Material	Surface Plating
Housing	Brass	Tri-metal Plating
Port 1 center contact	Bronze	Gold Plating
Port 2 center contact	Bronze	Gold Plating

Related Documents

Outline drawing	DOU-00101102.1
Mounting instruction	DOC-0000176104

Remarks

Ordering information for optional mounting/grounding accessories:

-Grounding ring 9075.99.0026, terminal lug for cable 6AWG/16 mm² (diameter 6 mm), material: copper, tin plated

Mouser Electronics

Authorized Distributor

Click to View Pricing, Inventory, Delivery & Lifecycle Information:

[HUBER+SUHNER:](#)

[3406.17.0028](#)