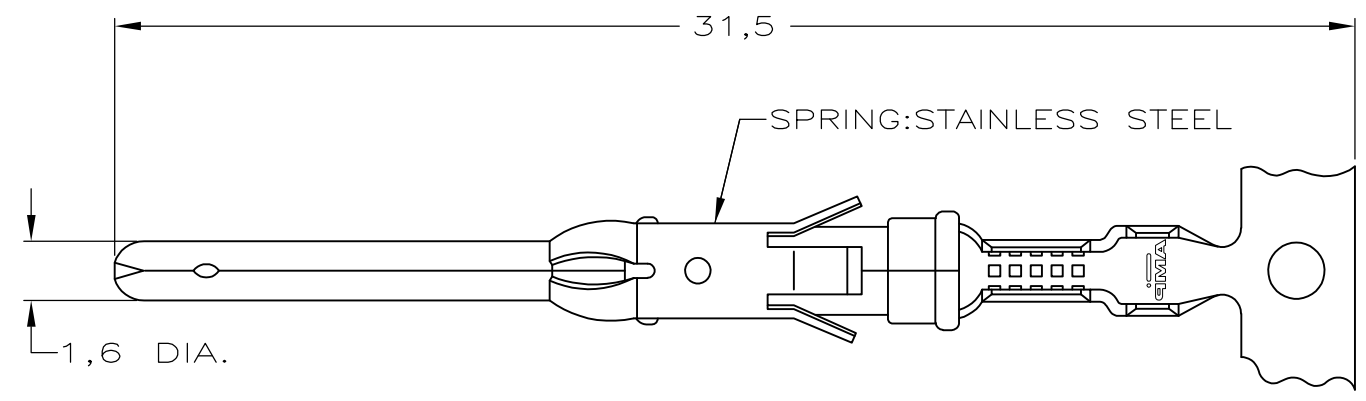
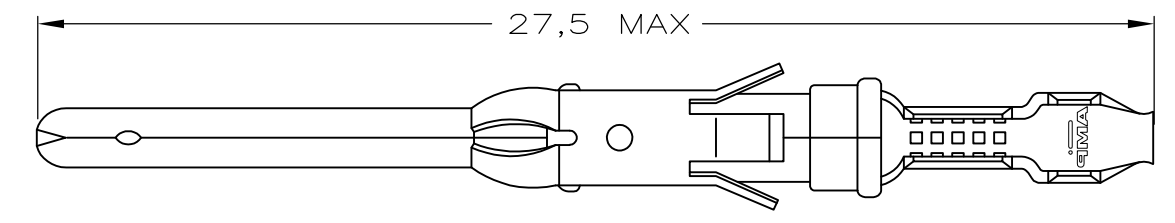


THIS DRAWING IS UNPUBLISHED. RELEASED FOR PUBLICATION
 © COPYRIGHT - By - ALL RIGHTS RESERVED.

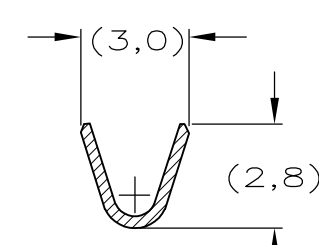
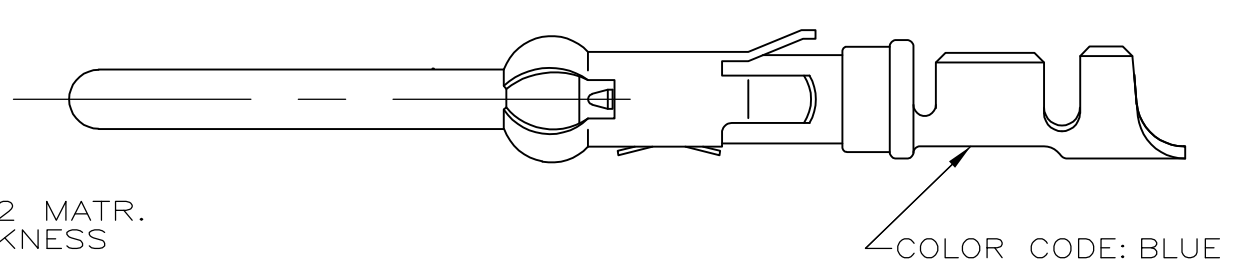
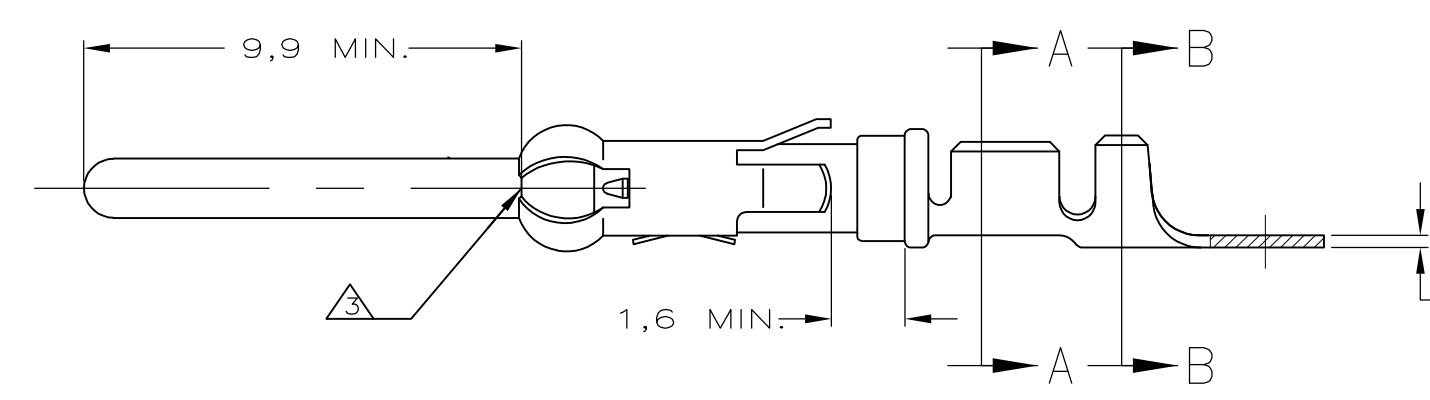
LOC	DIST	REVISIONS			
P	LTR	DESCRIPTION	DATE	DWN	APVD
	G2	ADDITION OF NOTE 5, TEXT "MAX" TO DIM 27.5 IN ZONE D2 AND TEXT "REF" DIM 3.0, 2.8, 3.7, & 3.0 IN ZONE B4 & B3.	21JULY2015	TJ	PS



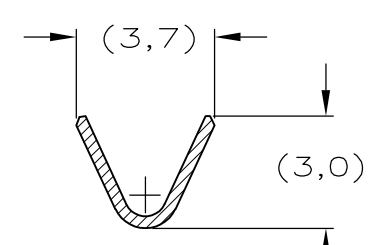
STRIP



LOOSE-PIECE



SECTION A-A

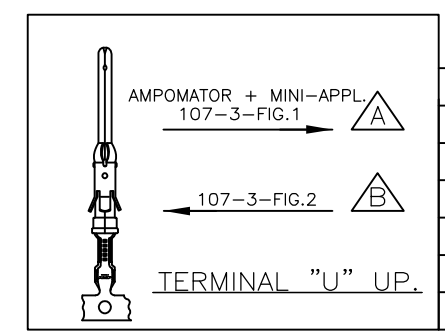


SECTION B-B

WIRE RANGE : 0,75-1,50 mm² (18-16 AWG)
 INSUL. RANGE : 2,0-2,5 mm (.080-.100)

NOTES :

- 1 FOR CRIMP DETAILS SEE SPEC. 114-19.000 .
- 2 MEETS PRODUCT SPECIFICATION 108-10042.
- 3 0,40 MAX. GAP BETWEEN SPRING-NOSE AND CONTACT BODY.
- 4 OBSOLETE PARTS: OBSOLETE CIS STREAMLINING PER D.RENAUD/D.SINISI
- 5 OMISSION OF 6 CONTACTS MAX PER REEL OF 5000PCS.



PART NUMBER	DIRECTION OF REEL	LOOSE-PIECE	MATERIAL	PLATING
163766-5	B		PH.BRONZE	EL.TIN
163766-4	A	164839-4	PH.BRONZE	ECON.GOLD
163766-3	A	164839-3	PH.BRONZE	SILVER
163766-2	A	164839-2	PH.BRONZE	SEL.GOLD
163766-1	A	164839-1	PH.BRONZE	EL.TIN

NOTES	MATERIAL	THICKNESS	AREA
20	TIN	2,0 μm	ALL OVER
21	NICKEL GOLD TIN	0,8 μm	ALL OVER CONTACT AREA BARREL
22	NICKEL GOLD GOLD	0,8 μm	ALL OVER CONTACT AREA ALL OVER
23	NICKEL GOLD GOLD	1,2 μm	ALL OVER CONTACT AREA ALL OVER
27	NICKEL SILVER TIN	2,5 μm	ALL OVER CONTACT AREA BARREL
28	SILVER	0,5 μm	ALL OVER
29	SILVER	2,5 μm	ALL OVER

THIS DRAWING IS A CONTROLLED DOCUMENT.

DIMENSIONS:	TOLERANCES UNLESS OTHERWISE SPECIFIED:
mm	0 PLC ± -
	1 PLC ± -
	2 PLC ± -
	3 PLC ± -
	4 PLC ± -
	ANGLES ± -
MATERIAL	FINISH
-	-

DWN	L.V.D.HEYDEN	19.08.1987
CHK	P.V.D.HAGEN	-
APVD	L.V.SOEST	-
PRODUCT SPEC	108-10042	-
APPLICATION SPEC	114-19000	-
WEIGHT	-	-
CUSTOMER DRAWING		



TYPE III+, SIZE 16, PIN ASS'Y,
 18-16 AWG, 2.0-2.5mm DIA INSULATION

SIZE	CAGE CODE	DRAWING NO	RESTRICTED TO
A3	00779	C-163766	-
SCALE	-	SHEET	1 OF 1
REV	G2		