

PLEASE CHECK WWW.MOLEX.COM FOR LATEST PART INFORMATION

Part Number: [1041300510](#)
Status: **Active**
Overview: [IllumiMate™ Connector System](#)
Description: IllumiMate™ 1.25mm Pitch Wire-to-Board Header, Surface Mount, Single Row, Vertical, 5 Circuits

Documents:

[3D Model](#) [Packaging Specification PK-104130-001 \(PDF\)](#)
[Drawing \(PDF\)](#) [RoHS Certificate of Compliance \(PDF\)](#)
[Product Specification PS-104130-002 \(PDF\)](#)

Agency Certification

UL E29179

General

Product Family PCB Headers
 Series [104130](#)
 Application Signal, Wire-to-Board
 Overview [IllumiMate™ Connector System](#)
 Product Name IllumiMate™
 UPC 884982710924

Physical

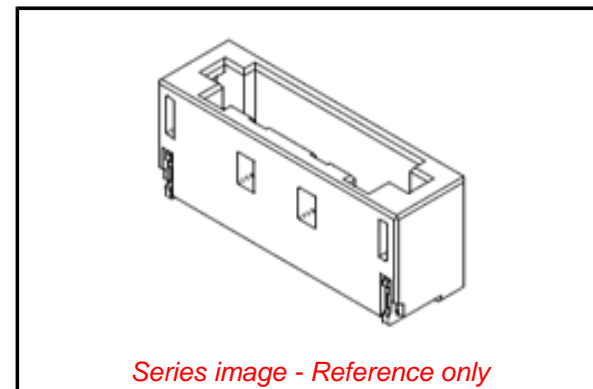
Breakaway No
 Circuits (Loaded) 5
 Circuits (maximum) 5
 Color - Resin Natural
 Durability (mating cycles max) 30
 First Mate / Last Break No
 Flammability 94V-0
 Glow-Wire Compliant No
 Keying to Mating Part N/A
 Lock to Mating Part Yes
 Material - Metal Phosphor Bronze
 Material - Plating Mating Nickel
 Material - Plating Termination Tin
 Material - Resin High Temperature Thermoplastic
 Net Weight 0.187/g
 Number of Rows 1
 Orientation Vertical
 PCB Locator No
 PCB Retention None
 Packaging Type Embossed Tape on Reel
 Pitch - Mating Interface 1.25mm
 Polarized to Mating Part Yes
 Temperature Range - Operating -25°C to +130°C
 Termination Interface: Style Surface Mount

Electrical

Current - Maximum per Contact 1.5A
 Voltage - Maximum 200V

Solder Process Data

Duration at Max. Process Temperature (seconds) 010
 Lead-free Process Capability REFLOW
 Max. Cycles at Max. Process Temperature 003
 Process Temperature max. C 260



Series image - Reference only

EU ELV

Not Relevant

EU RoHS

Compliant

REACH SVHC

Contains SVHC(2014 December 17): No

Halogen-Free

Status

Not Low-Halogen

Need more information on product environmental compliance?

Email productcompliance@molex.com
 Please visit the [Contact Us](#) section for any non-product compliance questions.

China ROHS

ELV

China RoHS

Green Image

Not Relevant

Search Parts in this Series

[104130 Series](#)

Mates With

[104131-0500](#)

Material Info

Reference - Drawing Numbers

Packaging Specification

Product Specification

Sales Drawing

PK-104130-001

PS-104130-002, RPS-104130-002

SD-104130-003, SD-104130-004

This document was generated on 08/03/2015

PLEASE CHECK WWW.MOLEX.COM FOR LATEST PART INFORMATION