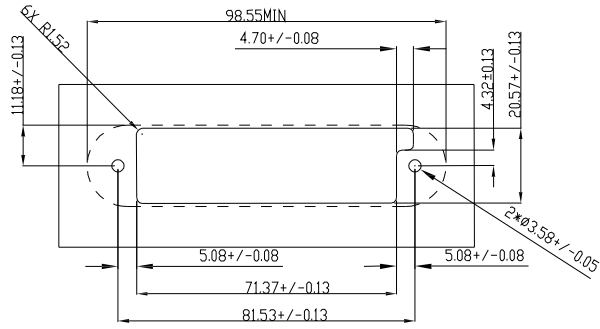
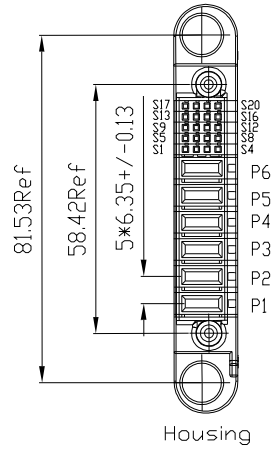


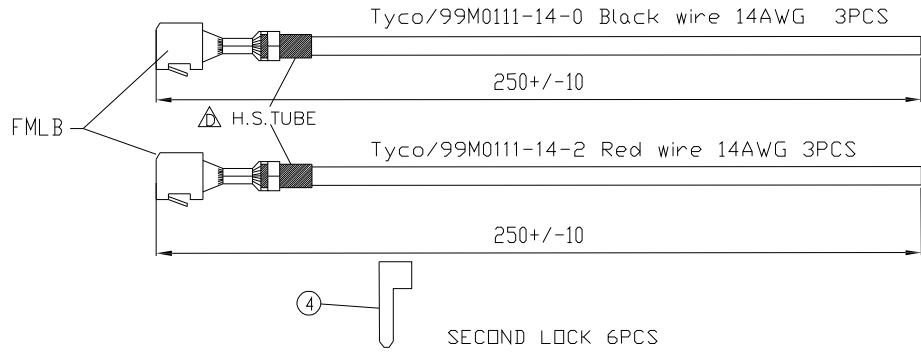
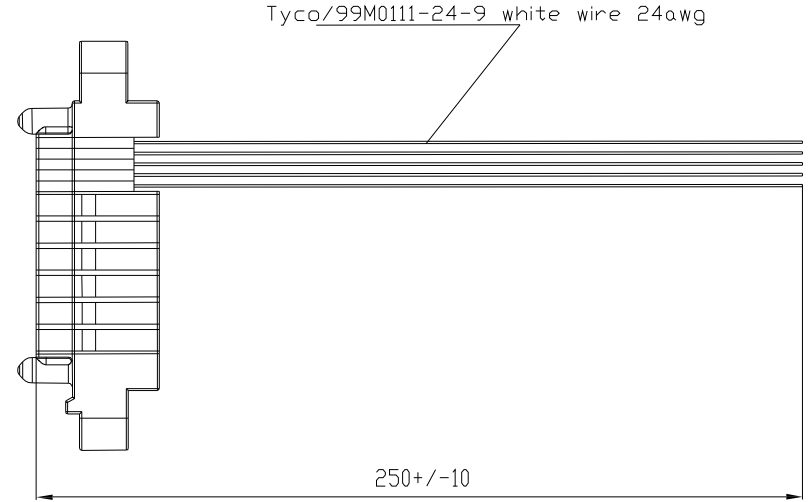
FCI PN NOTE3
10080594-4RB0026LF



Recommended panel cutout



Housing



Pin Out

| Housing | WIRE Description |
|---------|------------------|
| P1 | N/A |
| P2 | N/A |
| P3 | N/A |
| P4 | N/A |
| P5 | N/A |
| P6 | N/A |
| S1 | White 24awg |
| S2 | White 24awg |
| S3 | White 24awg |
| S4 | White 24awg |
| S5 | White 24awg |
| S6 | White 24awg |
| S7 | White 24awg |

| Housing | WIRE Description |
|---------|------------------|
| S8 | White 24awg |
| S9 | White 24awg |
| S10 | White 24awg |
| S11 | White 24awg |
| S12 | White 24awg |
| S13 | White 24awg |
| S14 | White 24awg |
| S15 | White 24awg |
| S16 | White 24awg |
| S17 | White 24awg |
| S18 | White 24awg |
| S19 | White 24awg |
| S20 | White 24awg |

NOTES:

1. DEFINE THE PART NUMBER SCHEME FOR THE CABLE ASSEMBLY, REFER TO 10080594
2. LEAD FREE PRODUCTS MEET EUROPEAN UNION DIRECTIVES AND OTHER COUNTRY REGULATIONS AS AS DESCRIBED IN GS-22-008
3. CONNECTOR ASSEMBLIES SHOWN ARE FOR REFERENCE ONLY AND MAY NOT SHOW ALL PART DETAIL. REFERENCE CONNECTOR ASSEMBLY DRAWING FOR COMPLETE DETAILS.
4. DON'T ASSEMBLY THE POWER WIRE WITH TERMINAL AND SECOND LOCK, THEY WILL BE PACKAGED TOGETHER WITH HOUSING WITH SIGNAL WIRE

| | | | | | | | | | | | | | | | | | | | | | | | | |
|---------------|---|-------------|--------------|------------|------------------|------|--------|-----------------|-----------|-----|---------|----|-----|------|--------------|------------|----------------|--|-------|------------------------|--------|--------------------|-----|---|
| spec ref | - | dr | William He | 2015-04-13 | projection | | size | A3 | scale | N/A | | | | | | | | | | | | | | |
| tolerance std | TOLERANCES UNLESS OTHERWISE SPECIFIED | eng | William He | 2015-04-13 | | mm | ecn no | ECN-ELX-N-20686 | rel level | - | | | | | | | | | | | | | | |
| | | chr | Guo-Feng Jin | 2015-04-13 | | | | | | | | | | | | | | | | | | | | |
| surface | <table border="1"> <tr><td>linear</td><td>0.X</td><td>± -</td></tr> <tr><td></td><td>0.XX</td><td>± 0.25</td></tr> <tr><td></td><td>0.XXX</td><td>± -</td></tr> <tr><td>angular</td><td>0°</td><td>± -</td></tr> </table> | linear | 0.X | ± - | | 0.XX | ± 0.25 | | 0.XXX | ± - | angular | 0° | ± - | appr | Guo-Feng Jin | 2015-04-13 | product family | | title | BARKLIP CABLE ASSEMBLY | dwg no | 10080594-4RB0026LF | rev | D |
| linear | 0.X | ± - | | | | | | | | | | | | | | | | | | | | | | |
| | 0.XX | ± 0.25 | | | | | | | | | | | | | | | | | | | | | | |
| | 0.XXX | ± - | | | | | | | | | | | | | | | | | | | | | | |
| angular | 0° | ± - | | | | | | | | | | | | | | | | | | | | | | |
| | | www.fci.com | | cat. no. | Customer Drawing | | | sheet 1 of 1 | | | | | | | | | | | | | | | | |

Copyright FCI