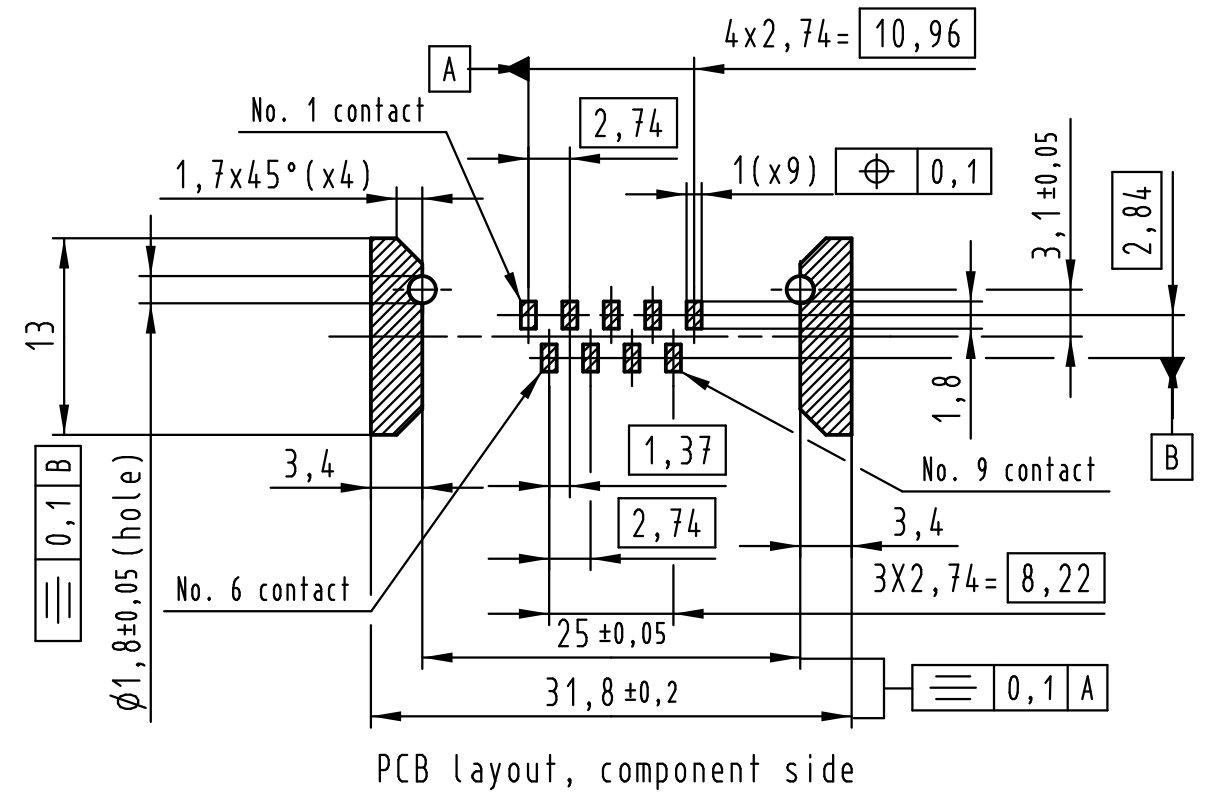
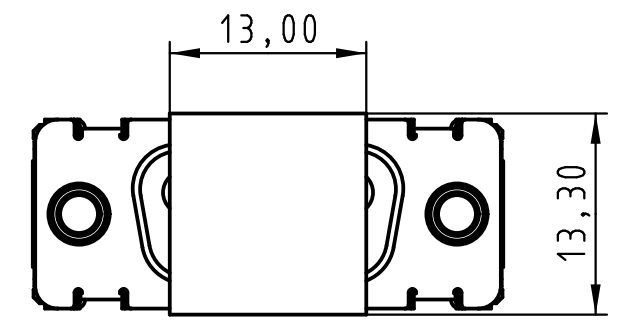
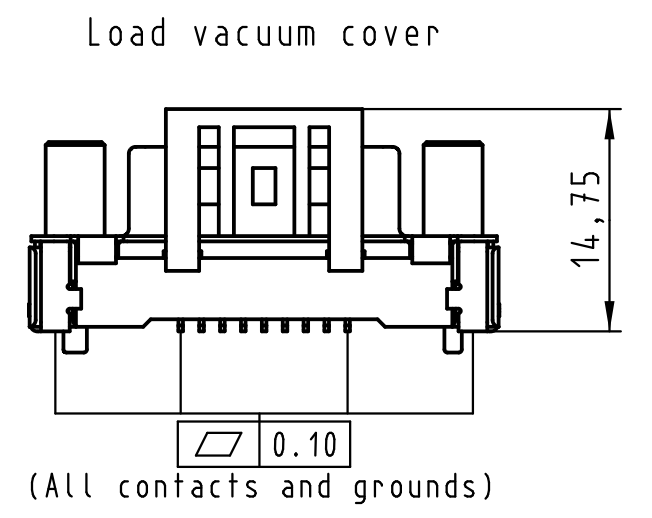
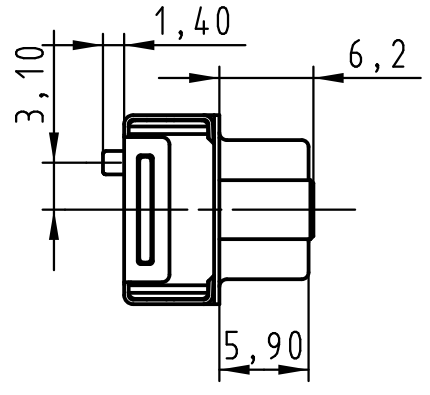
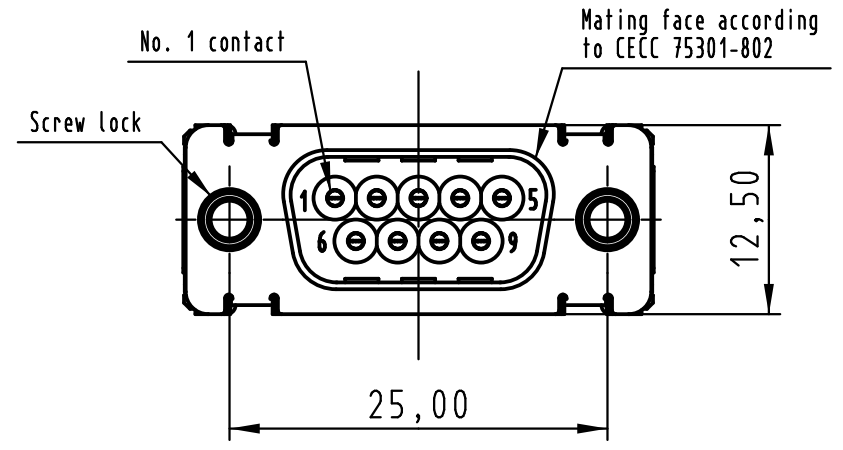
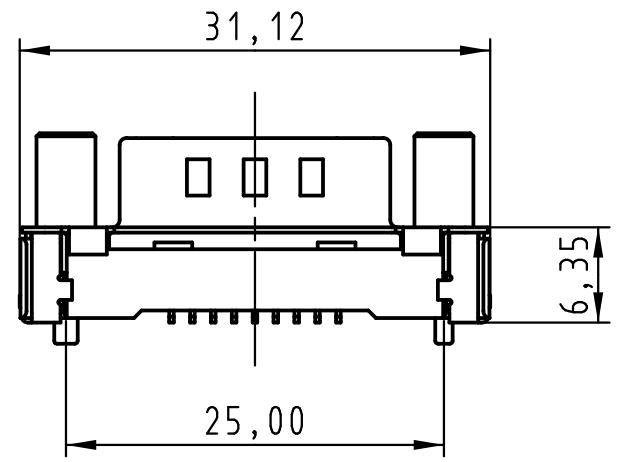


All rights reserved

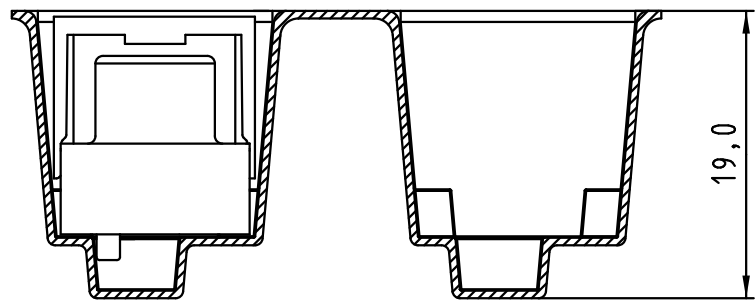


Max. Temperature: 260° during 10 seconds.

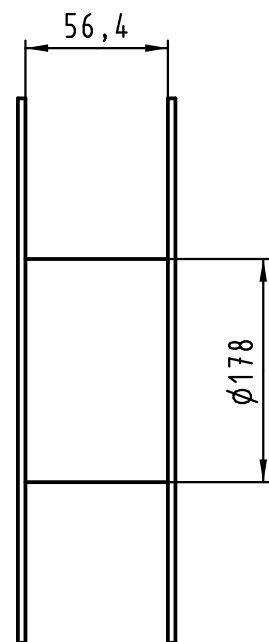
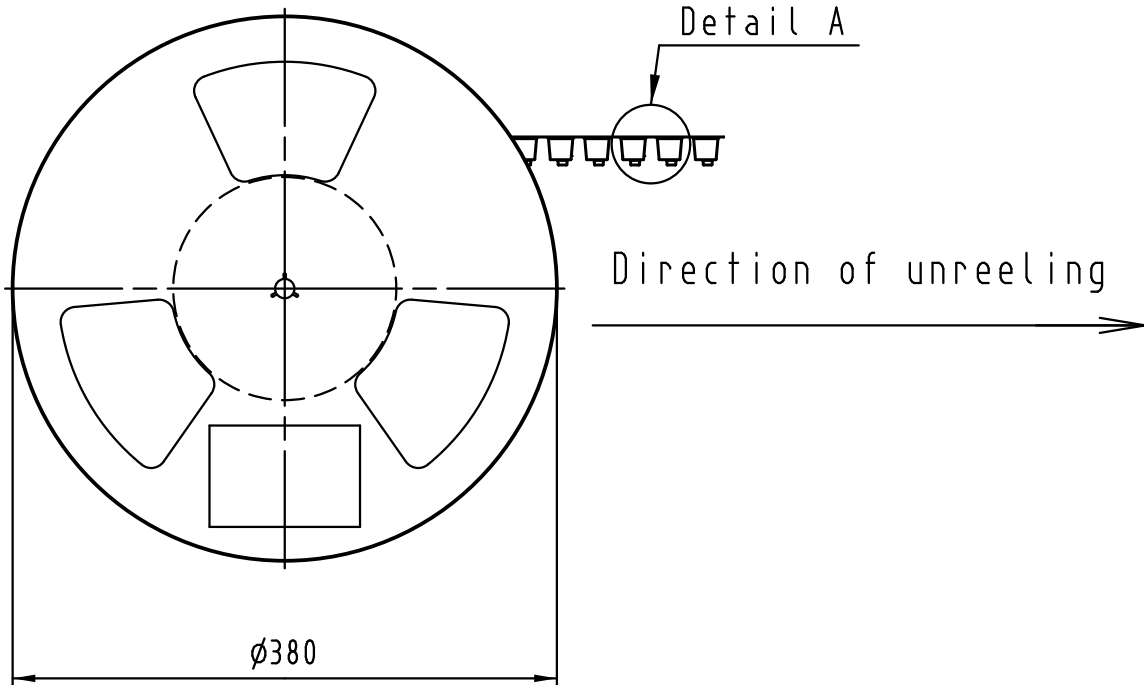
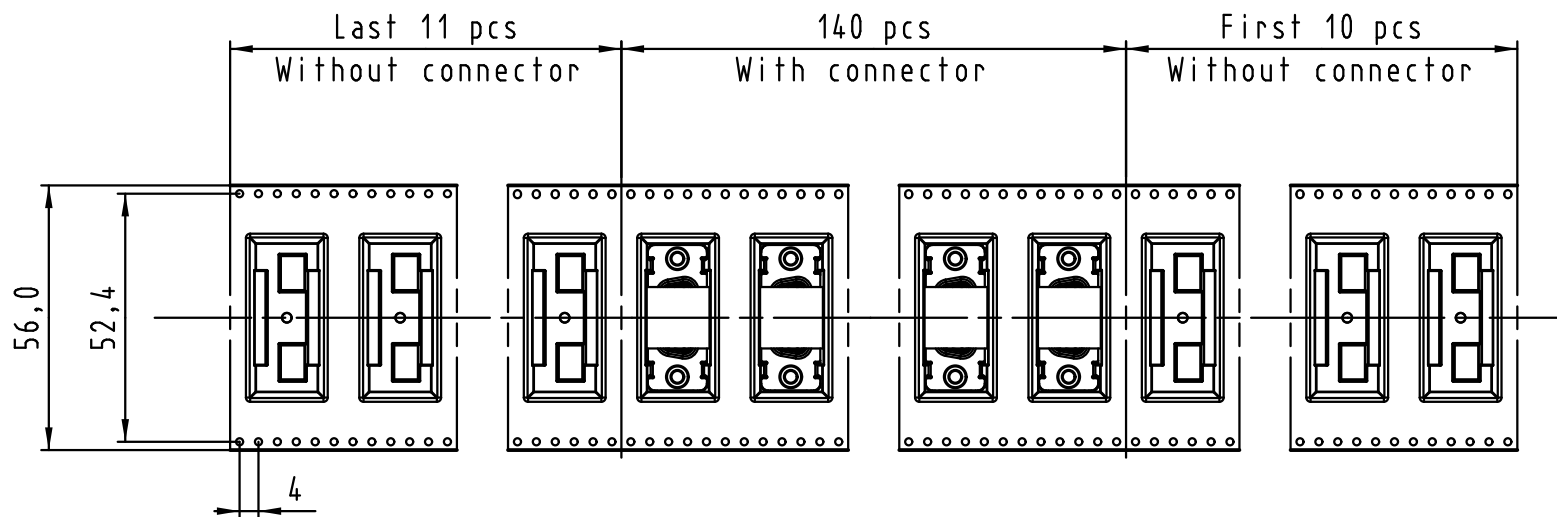
0955 129 3821 741	1	M3
0955 129 3822 741	1	4-40 UNC
0955 129 6821 741	2	M3
0955 129 6822 741	2	4-40 UNC
0955 129 7821 741	3	M3
0955 129 7822 741	3	4-40 UNC

Black insulator	Reel Packaging: 140 connectors (See details on page 2/2)
-----------------	--

Part number	PL	Screw lock	Index designation
		Techn. Character.	Free size tolerances
Mod.	Dat.	Name	D-Sub SMT, 9 poles Male, Straight with screw locks and ground pads
EC04070	17-Nov-11	Johnson.S	
Zhuhai HARTING Limited			Scale: 2:1 TB 09 55 129 x82x Page 1/2



Detail A



See TB 09 55 129 x82x folio 1/2 for connector dimensions and PCB layout

Packaging in accordance with EIA 481-2.

0955 129 3821 741	1	M3	Black insulator	Reel Packaging: 140 connectors
0955 129 3822 741	1	4-40 UNC		
0955 129 6821 741	2	M3		
0955 129 6822 741	2	4-40 UNC		
0955 129 7821 741	3	M3		
0955 129 7822 741	3	4-40 UNC		
Part number	PL	Screw lock	Index designation	

All Dimensions in mm Original Size DIN A 3			Techn. Character.			Free size tolerances	
				Dat.	Name	Scale	
			Detail.	14-Sep-11	Johnson.S	D-Sub SMT, 9 poles Male, Straight with screw locks and ground pads	
			Insp.	17-Nov-11	Steven.W		
			Stand.	17-Nov-11	Steven.W		
EC04070	17-Nov-11	Johnson.S	Zhuhai HARTING Limited			TB 09 55 129 x82x	Page 2/2
Mod.	Dat.	Name				Sub.	

All rights reserved