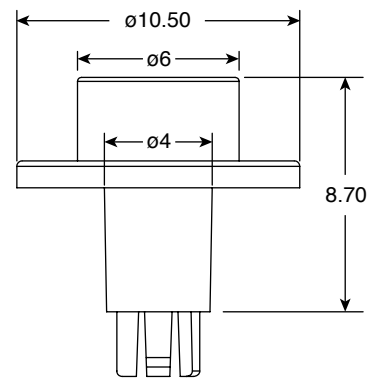
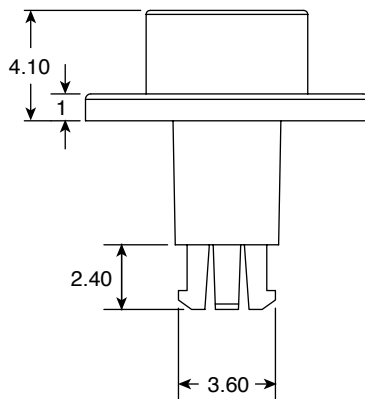
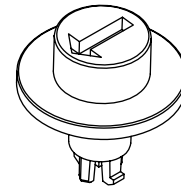
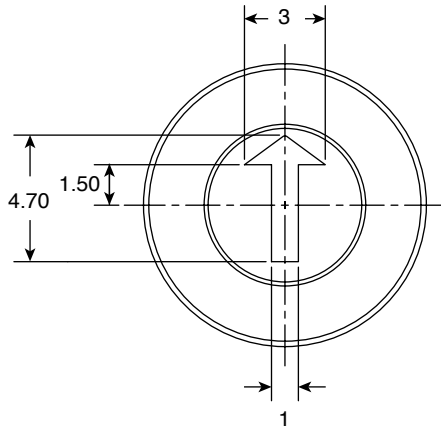


DIMENSIONS: mm



Mechanical Specifications:

- General Tolerances: Max. ± 0.20 mm

Materials:

- Color: Brown

Note:

- RoHS Compliant

Rotary Switch Knob
101-KR1N-EV

