

THIS DRAWING IS UNPUBLISHED. RELEASED FOR PUBLICATION
 © COPYRIGHT BY TYCO ELECTRONICS CORPORATION. ALL RIGHTS RESERVED.

LOC	DIST	REVISIONS			
P	LTR	DESCRIPTION	DATE	DWN	APVD
FT	0	0	REVISED PER 0G3B-0385-04	4/28/04	SS SRY

NOTES:
 1 MATERIAL: .032 COPPER ALLOY, TIN PLATED.

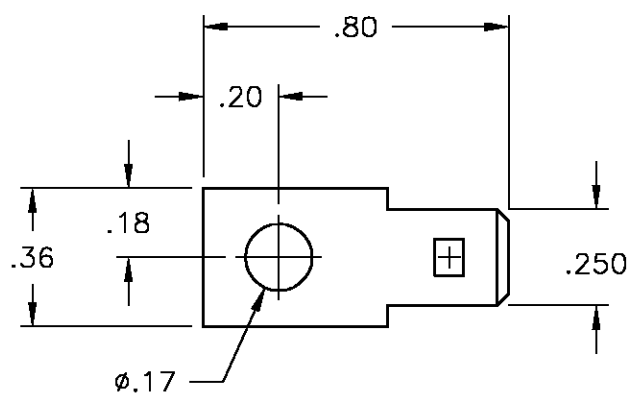


FIGURE 1

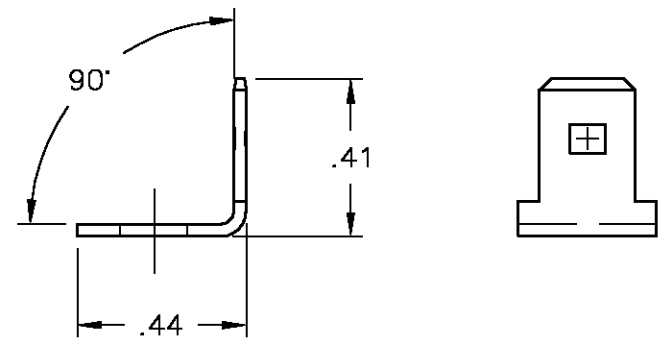


FIGURE 2

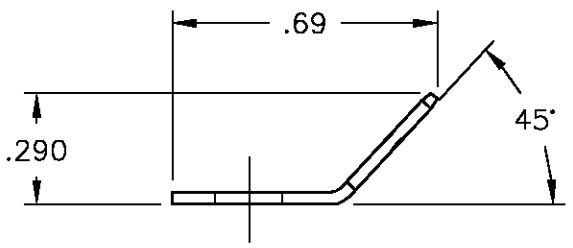


FIGURE 3

FIGURE 2	QC8-90-4	6-1437644-9
FIGURE 3	QC8-45-4	6-1437644-8
FIGURE 1	QC8-180-4	6-1437461-1
FIGURE	CATALOG NO.	PART NUMBER

THIS DRAWING IS A CONTROLLED DOCUMENT.		DWN S SCHLEGEL 28APR04	BUCHANAN Tyco Electronics Corporation Harrisburg, Pa 17105-3608	
DIMENSIONS: INCHES		CHK S YODER 4/28/04		
TOLERANCES UNLESS OTHERWISE SPECIFIED:		APVD S YODER 4/28/04	NAME 8 SERIES Q.C. TABS	
0 PLC ± - 1 PLC ± - 2 PLC ± .01 3 PLC ± .005 4 PLC ± - ANGLES ± 1'		PRODUCT SPEC -	-	
MATERIAL - 1		FINISH -	APPLICATION SPEC -	RESTRICTED TO -
		WEIGHT -	SIZE A3	CAGE CODE 00779
		CUSTOMER DRAWING	DRAWING NO C-6-1437644-7	REV 0
		SCALE 2:1	SHEET 1	OF 1