

7.001

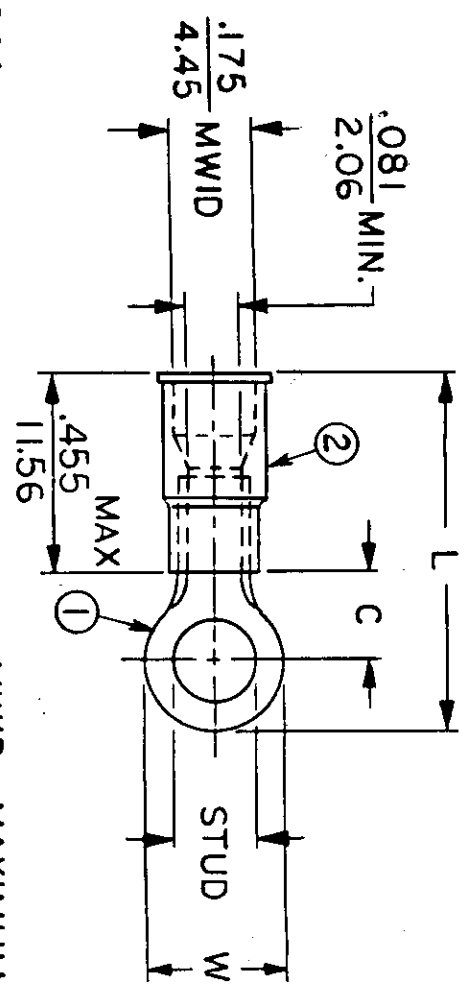
- NOTES:**
- ① MAT'L: COPPER (STOCK TKN. $\frac{.031}{.79}$)
 - PLATING: ELECTRO-TIN (.0003 MIN.)
 - ② INSULATION: MOLDED PVC (BLUE)

STUD SIZES: ($\pm .005$)

- 02 = .094
- 04 = .119
- 06 = .146
- 08 = .173
- 10 = .198
- 14 = .265
- 56 = .328
- 38 = .390

"UL" LISTING #E32244
 "CSA" LISTING #18689

ALL DIMENSIONS = $\frac{\text{INCHES}}{\text{MM}}$



MWID = MAXIMUM WIRE
 INSULATION DIAMETER
 WIRE SIZE: 16-14 AWG
 1.0-2.5 MM²

PART NUMBER	"W" ±.010	"C" MIN.	"L" MAX.	REFERENCE		SCALE: NTS	DATE	TITLE:	DWG. NO.	CUSTOMER DWG.
				DRWN. BY:	CHKD. BY:					
B-218-	$\frac{.534}{13.56}$	$\frac{.554}{14.07}$	$\frac{1.311}{33.30}$				10-25-84	RING TONGUE TERMINAL INSULKRIMP 200 SERIES	A	
B-223-	$\frac{.250}{6.35}$	$\frac{.209}{5.31}$	$\frac{.835}{21.21}$				11-3-84			
B-225-	$\frac{.467}{11.86}$	$\frac{.388}{9.86}$	$\frac{1.112}{28.24}$							
B-237-	$\frac{.312}{7.92}$	$\frac{.285}{7.24}$	$\frac{.926}{23.52}$							
B-239-	$\frac{.342}{8.69}$	$\frac{.310}{7.87}$	$\frac{.971}{24.66}$							
DIMENSIONAL TOLERANCES UNLESS OTHERWISE SPECIFIED				SCALE: NTS		DATE		TITLE:		
FRAC. DEC. ANG.				DRWN. BY: GZ		11-3-84		RING TONGUE TERMINAL INSULKRIMP 200 SERIES		
				CHKD. BY: GZ				EIC molex INCORPORATED		
				APPRD. BY:				CUSTOMER DWG.		