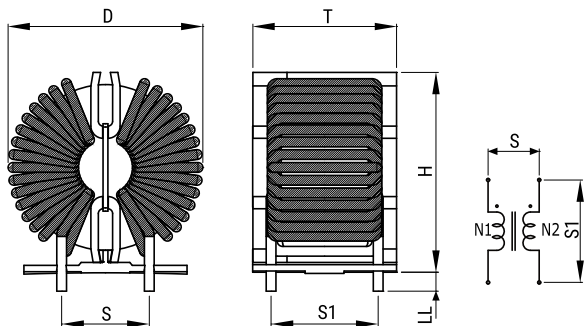


KEMET Part Number: SCF19-040-0R8A1100J
(UALF190401100J)

KEMET, SCF-J/JH, AC Line Filters, Common Mode, 0.011 H



Dimensions

D	28.5mm MAX
T	23mm MAX
H	28.5mm MAX
LL	3.5mm +/-1mm
S	18mm NOM

Packaging Specifications

Packaging:	Tray
Packaging Quantity:	240
Weight:	27.6 g

General Information

Series:	SCF-J/JH
Style:	Through-Hole
Features:	High Impedance, Space Saving
RoHS:	Yes
Notes:	Lead Spacing (S/S1) Are For Reference Only.
Miscellaneous:	Temperature Rise Maximum: 60 K

Specifications

Voltage AC:	250 VAC
Inductance:	11 mH (50 kHz)
Current:	4 A
Temperature Range:	-25/+120°C
DC Resistance:	70 mOhms