

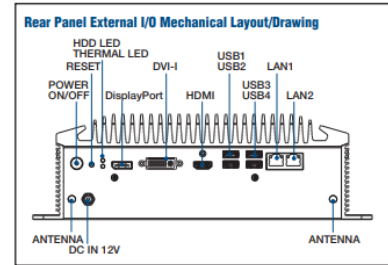
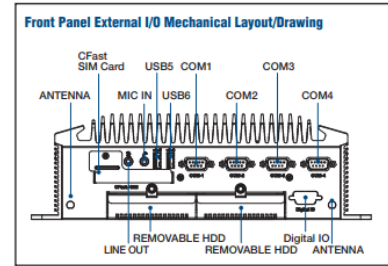
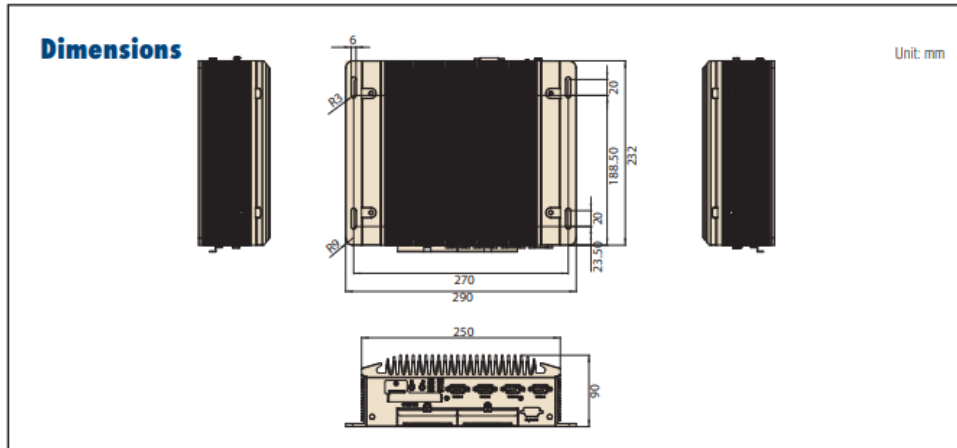
technical specifications

The Active Control™ Appliance is designed to run the SynapSense® Active Control™ Program and connect to a network in pairs. It receives data from the SynapSense® Environmental Server and sends control signals to cooling units or building management system to optimize power usage by cooling equipment.

performance specifications

| | | |
|-------------------------|-------------------------|---|
| Processor System | CPU (rPGA) | Intel Core i7-310QE |
| | Frequency | 2-3Ghz (Quad Core) |
| | L3 Cache | 6MB |
| | Watts | 45 W |
| Memory | Technology | DCR3/DDR3L 1500 MHz |
| Graphics | CRT | VGA Integrated in DVI-I port |
| | DVI-I | 1920 x 1200 @ 60 Hz |
| | HDMI | Support HDMI 1.4 1.4 1920 x 1200 @ 60HZ |
| | Display Port | 2560 x 1600 @ 60 Hz (Video only, and only support on 3rd generation processor) |
| Ethernet | LAN1 | 10/100/1000 Mbps Intel 82579LM GbE, support Wake On Lan |
| | LAN2 | 10/100/1000 Mbps Intel 1-210iT GbE, support Wake On Lan |
| I/O Interface | Serial Port | 2 x RS-232 ports, 2 RS-232/422/485 port with auto flow control |
| | USB | 4 x USB 3.0 ports (USB1,2,3,4) and 2 x USB 2.0 ports (USB5,6) |
| Expansion | Mini PCIe | 2 x Full-size Mini PCIe with SIM holder (supports mSATA) |
| Storage | HDD | Two 2.5" SATA removable HDD Bays with Maximum device height 9.5 mm, SATA III, Gen 3 Support (max. Data transfer rate 600 MB/s). |
| | Solid State Disk | 1 x CFast Card |

Panduit® SynapSense® Active Control™ Appliance



mechanical specifications

| | | | | | |
|---------------------------|----------------------------|---|---|-------|-------|
| Power Requirements | Power Type | | | | |
| | Power Input Voltage | | 12 Voc, \pm 10% (9-34 Voc support by request) | | |
| | Power Adapter | | AC to DC, DC12V/7A, 84 (Optional) | | |
| Power Consumption | Typical | 19.2W | 16.4W | 14.8W | 16.4W |
| | Max. | 60W Max.: test with 100% CPU loading and HDU R/W access only | 36.5W | 30W | 31.8W |
| Mechanical | Construction | | Aluminum Housing | | |
| | Mounting | | Desk/wall-mounting | | |
| | Dimensions (WxHxD) | | 290x90x232 mm (11.4' x 3.54' x9.13') | | |
| | Weight | | 4.65kg | | |
| Environment | Operating Temperature | | With extended temp peripheral: -1D – 60°C with .7m/s air flow with HDD: 0-40° with .7m/s air flow | | |
| | Storage Temperature | | -40-80°C | | |
| | Relative Humidity | | 95% @ 40° (non-condensing) | | |
| | Vibration During Operation | | With SSD: 3Gms, IES 60068-2-64, random, 5-500 Hz, 1 hr/axis | | |
| | Shock During Operation | | With SSD: 50 G, IEC 60068-2-27, half sine, 11 ms duration | | |
| | EMC | | CE/FCC Class A, BSMI | | |
| | Safety | | CB, UL, BSMI | | |

WORLDWIDE SUBSIDIARIES AND SALES OFFICES

PANDUIT US/CANADA
Phone: 800.777.3300

PANDUIT EUROPE LTD.
London, UK
Phone: 44.20.8601.7200

PANDUIT SINGAPORE PTE. LTD.
Republic of Singapore
Phone: 65.6305.7575

PANDUIT JAPAN
Tokyo, Japan
Phone: 81.3.6863.6000

PANDUIT LATIN AMERICA
Guadalajara, Mexico
Phone: 52.33.3777.6000

PANDUIT AUSTRALIA PTY. LTD.
Victoria, Australia
Phone: 61.3.9794.9020

For a copy of Panduit product warranties, log on to www.panduit.com/warranty

For more information

Visit us at www.panduit.com

iai@panduit.com

PANDUIT®

©2018 Panduit Corp.
ALL RIGHTS RESERVED.
PVDS14--SA-ENG
4/2018