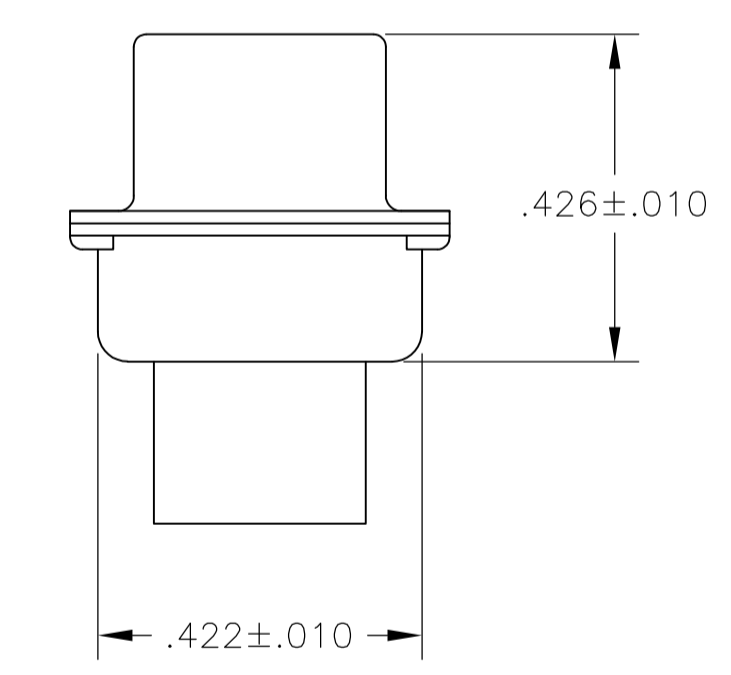
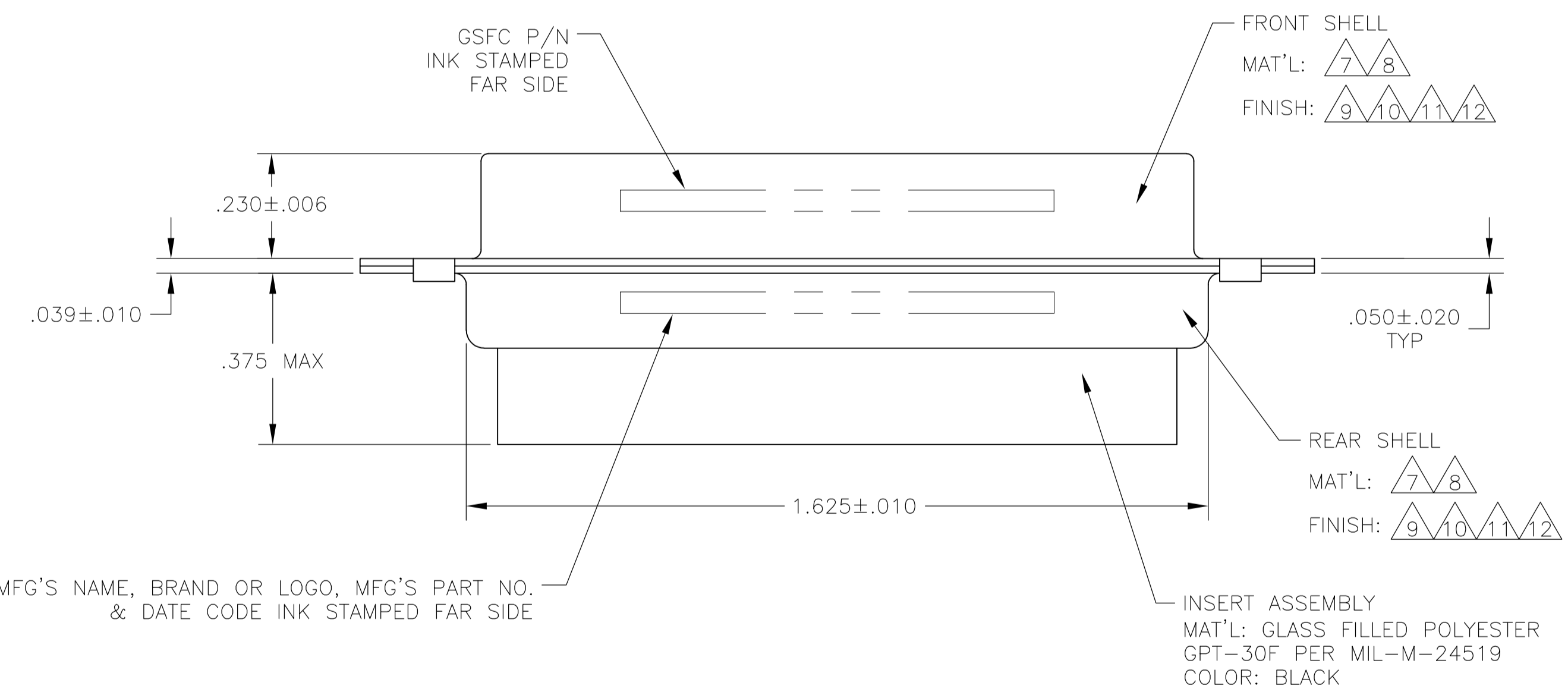
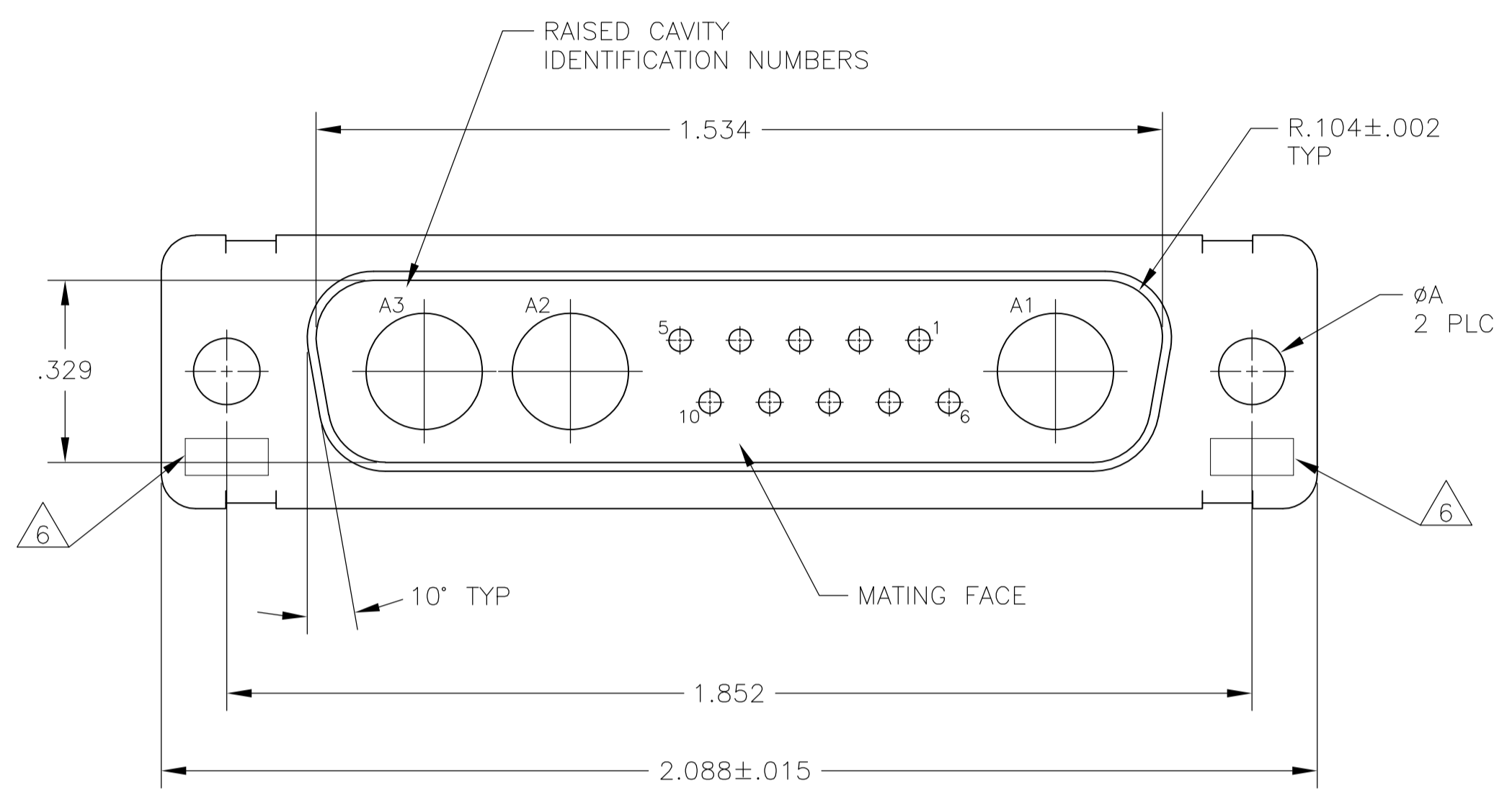


LOC		DIST		REVISIONS			
DF	DO	REV	DATE	DESCRIPTION	DATE	BY	APPV
R		1	16MAR12	REVISED PER ECO-12-004104		PY	RL

- THIS PLUG WILL MATE WITH ANY 13C3, SIZE 3 RECEPTACLE IN AMPLIMITE SERIES.
- MAXIMUM WIRE INSULATION TO BE USED WITH THIS PLUG IS $\phi.068$.
- THIS CONNECTOR ACCEPTS (3) POWER 8, OR COAX PIN CONTACTS IN POSITIONS A1 THRU A3, PURCHASED SEPARATELY.
- THIS CONNECTOR ACCEPTS SIZE 20 PIN SIGNAL CONTACTS IN POSITIONS 1 THRU 10, PURCHASED SEPARATELY.
- GROUNDING INDENTS FOR 208810-2 & 5-208810-2 ONLY (NOT SHOWN ON DRAWING).
- UL/CSA DESIGNATION STAMPED IN THIS AREA, OPTIONAL.
- STEEL PER ASTM-A-109.
- BRASS PER MIL-C-50 AND ASTM-B-36 UNS NO. C26000.
- FINISH: TIN PER ASTM-B-545 .000400 MIN THK OVER COPPER PER AMS2418 .000050 MIN THK.
- CADMIUM PLATED PER QQ-P-416.
- FINISH: GOLD PLATED PER MIL-G-45204 TYPE II, GRADE C, CLASS 1 OVER COPPER PER MIL-C-14550, CLASS IV.
- FINISH: ZINC PLATE PER ASTM-B-633, .000200-.000400 THK WITH SUPPLEMENTARY CHROMATE (Cr3+)



REMARKS	ØA	GSFC P/N	MFG'S PART NO.
5, 7, 9	.120	-	5-208810-2
7, 12	.120	-	5-208810-1
8, 11	.154	311P405-12P-B-15	208810-4
8, 11	.120	311P405-12P-B-12	208810-3
5, 7, 9	.120	-	208810-2
7, 10	.120	-	208810-1

THIS DRAWING IS A CONTROLLED DOCUMENT.

DIMENSIONS: INCHES	TOLERANCES UNLESS OTHERWISE SPECIFIED:	DIN C.C.THOMAS 04FEB88	APPROVED A.FMADI 09FEB88	NAME
0 PLC ± -	1 PLC ± -	2 PLC ± -	3 PLC ± .005(0.13)	4 PLC ± -
ANGLES ± 0°30'				
MATERIAL	FINISH	WEIGHT	SIZE A1	SCALE 4:1

STE TE Connectivity

PLUG ASSEMBLY
AMPLIMITE 13C3
SIZE 3, SERIES 109, COAX MIX

CUSTOMER DRAWING 00779C=208810 SHEET 1 OF 1 REV R