

DWG. NO.  
SD-35301-003

SIMILAR ITEM

PROJECT NO.

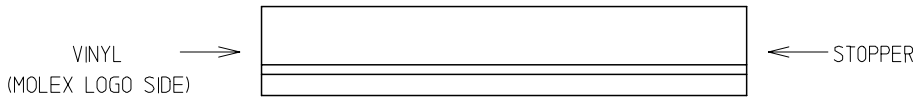
5

4

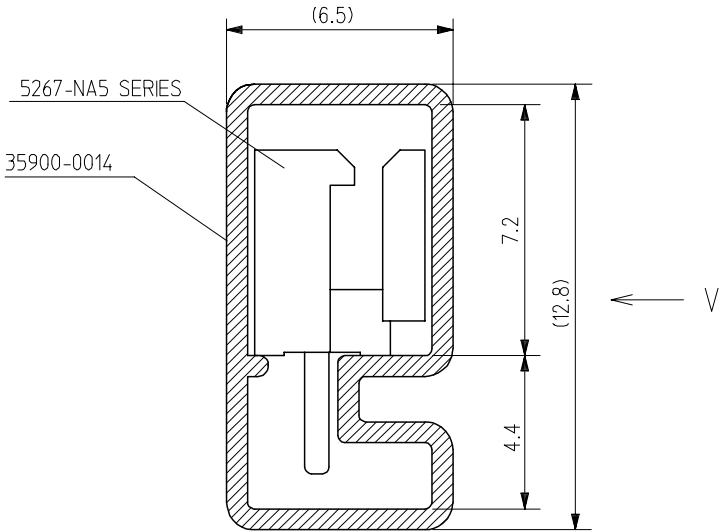
3

2

1



VIEW V



NOTES

- 1. PACKING TYPE : STOPPER & STICKER LOCKING TYPE(GENERAL)  
: VINYL & STOPPER LOCKING TYPE(FOR S/S)
- 2. THICKNESS : 0.6 t
- 3. LENGTH : 550 mm

3	35301-0340	353010340	50	5267-NA5
2	35301-0240	353010240	70	SERIES
CKTS	ENG NO.	MAT'L NO.	Q'TY/TUBE	USED ON

NEW RELEASED EC NO. KOR2006-0082 DRWN: KSKIM(060109) CH'K: Y.Soo.KIM APPR: S.H.CHOI	DESCRIPTION REV	QUALITY SYMBOLS MAJOR = CRITICAL =	GENERAL TOLERANCES: (UNLESS SPECIFIED)		SCALE 5 : 1	DESIGN UNITS <input checked="" type="checkbox"/> mm <input type="checkbox"/> INCH	THIRD ANGLE PROJECTION 	DIMENSIONS: <input type="checkbox"/> mm <input type="checkbox"/> INCH <input checked="" type="checkbox"/> mm ONLY	SHT	REV
		4 PLACES ±0.     ±.	DRAWN BY & DATE K.S.KIM(010112)	TITLE: TUBE PACKAGED FOR 5267-NA5 SERIES						
		3 PLACES ±0.     ±.	CHECKED BY & DATE Y.Soo.KIM							
		2 PLACES ±0.     ±.	APPROVED BY & DATE S.H.CHOI	MOLEX INCORPORATED						
1 PLACE ±0.4     ±.	CAD FILENAME SD35301C.DGN	MATERIAL NO. SEE TABLE	DRAWING NO. SD-35301-003					SHEET NO 1 OF 1		
DRAFT WHERE APPLICABLE MUST REMAIN WITHIN DIMENSIONS			THIS DRAWING CONTAINS INFORMATION THAT IS PROPRIETARY TO MOLEX INCORPORATED AND SHOULD NOT BE USED WITHOUT WRITTEN PERMISSION.						SIZE A	

5

4

3

2

MX-A4

DWG. NO.

SIMILAR ITEM

PROJECT NO.

B

DO NOT SCALE DRAWING  
DIMENSION IN METRIC

8 7 6 5 4 3 2 1

F

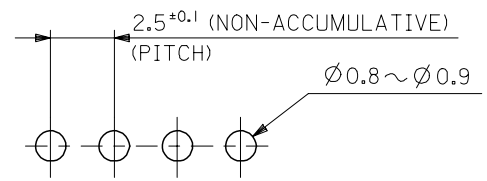
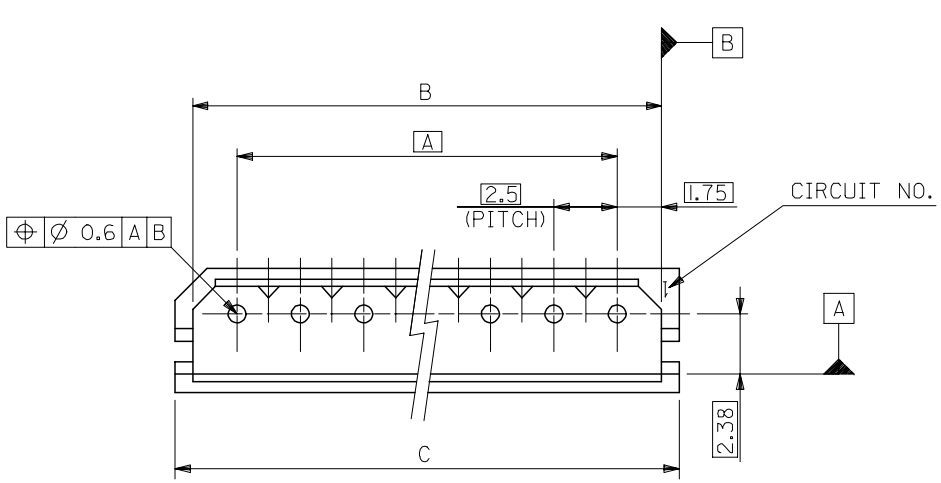
E

D

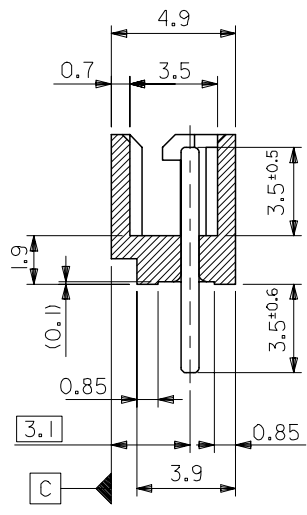
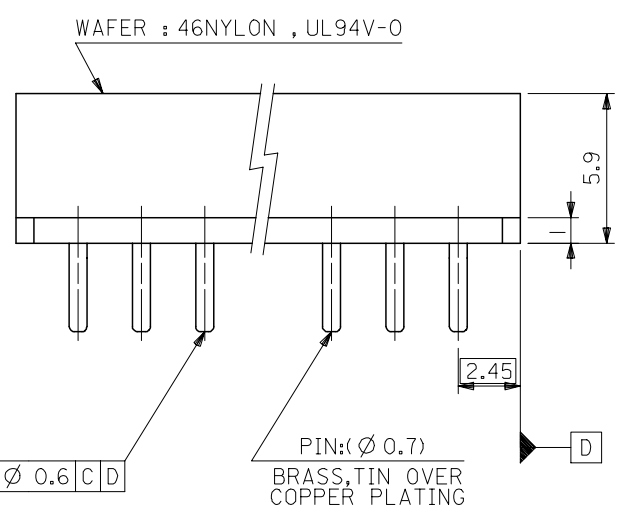
C

B

A



RECOMMENDED P.C.BOARD HOLE DIM.



NOTES:  
1. MATES WITH : 5264 SERIES.

9.9	8.5	5	39-34-1036	5267-03A5	35301-0340	3
7.4	6	2.5	39-34-1026	5267-02A5	35301-0240	2
C	B	A	EDP NO.	ENG NO.	ENG NO.	NO OF CKT.
APPLIED CONNECTOR						

ANGLE	±3°
30 OVER	±0.3
10 OVER 30 UNDER	±0.25
10 UNDER	±0.2
GENERAL TOLERANCES	

NEW RELEASED  
ECN NO. KOR2006-0092  
DRWN: K.S.KIM (060102)  
CHK: Y.SooKIM  
APPR: SH.CHOI

QUALITY SYMBOLS  
MAJOR =   
CRITICAL =

GENERAL TOLERANCES:  
(UNLESS SPECIFIED)

	mm	INCH
4 PLACES	±0.	±-
3 PLACES	±0.	±-
2 PLACES	±0.	±-
1 PLACE	±0.	±-

ANGULAR: ± °

DRAFT WHERE APPLICABLE MUST REMAIN WITHIN DIMENSIONS

SCALE 5:1  
DESIGN UNITS  mm  INCH  
DRAWN BY & DATE K.S.KIM (060102)  
CHECKED BY & DATE Y.SooKIM  
APPROVED BY & DATE SH.CHOI  
CAD FILENAME

DIMENSIONS:  mm  INCH  mm ONLY  
THIRD ANGLE PROJECTION  
TITLE: 2.5 LOW PROFILE WAFER ASS'Y  
MATERIAL NO. DRAWING NO. SD-35301-014 SHEET NO. 1 OF 1  
THIS DRAWING CONTAINS INFORMATION THAT IS PROPRIETARY TO MOLEX INCORPORATED AND SHOULD NOT BE USED WITHOUT WRITTEN PERMISSION.  
KOREA MX-A3

8 7 6 5 4 3 2 1 KOREA MX-A3