

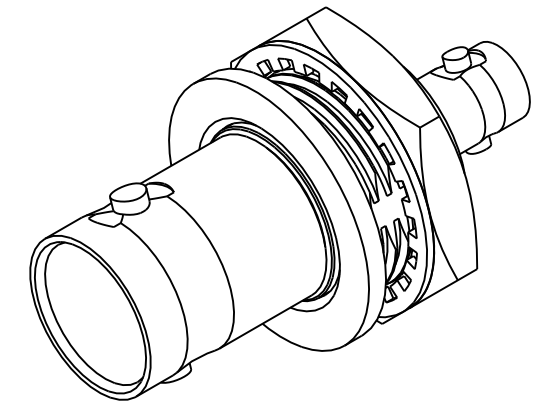
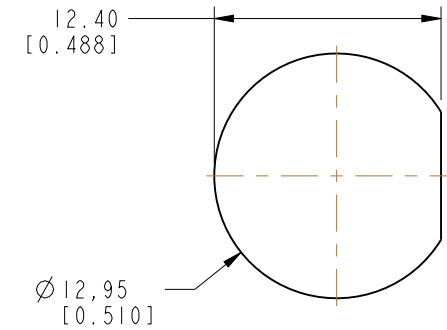
NOTES:

1. MATERIALS AND FINISHES:  
 BODY - BRASS, NICKEL PLATING  
 CONTACT - BERYLLIUM COPPER, GOLD PLATING  
 INSULATOR - PTFE
2. ELECTRICAL:  
 A. IMPEDANCE: 75 OHM  
 B. FREQUENCY RANGE: DC - 3 GHz  
 C. RETURN LOSS: -30 dB MIN @ 3 GHz
3. MECHANICAL:  
 A. DURABILITY: 500 CYCLES MIN.  
 B. TEMPERATURE RANGE: -65° C TO +165° C
4. PACKAGING:  
 A. QUANTITY: SINGLE PACK  
 B. MARKING: BAG TO BE MARKED  
 "AMPHENOLRF, APH-HD-ISO-BNC AND DATE CODE"

THIRD ANGLE PROJ.

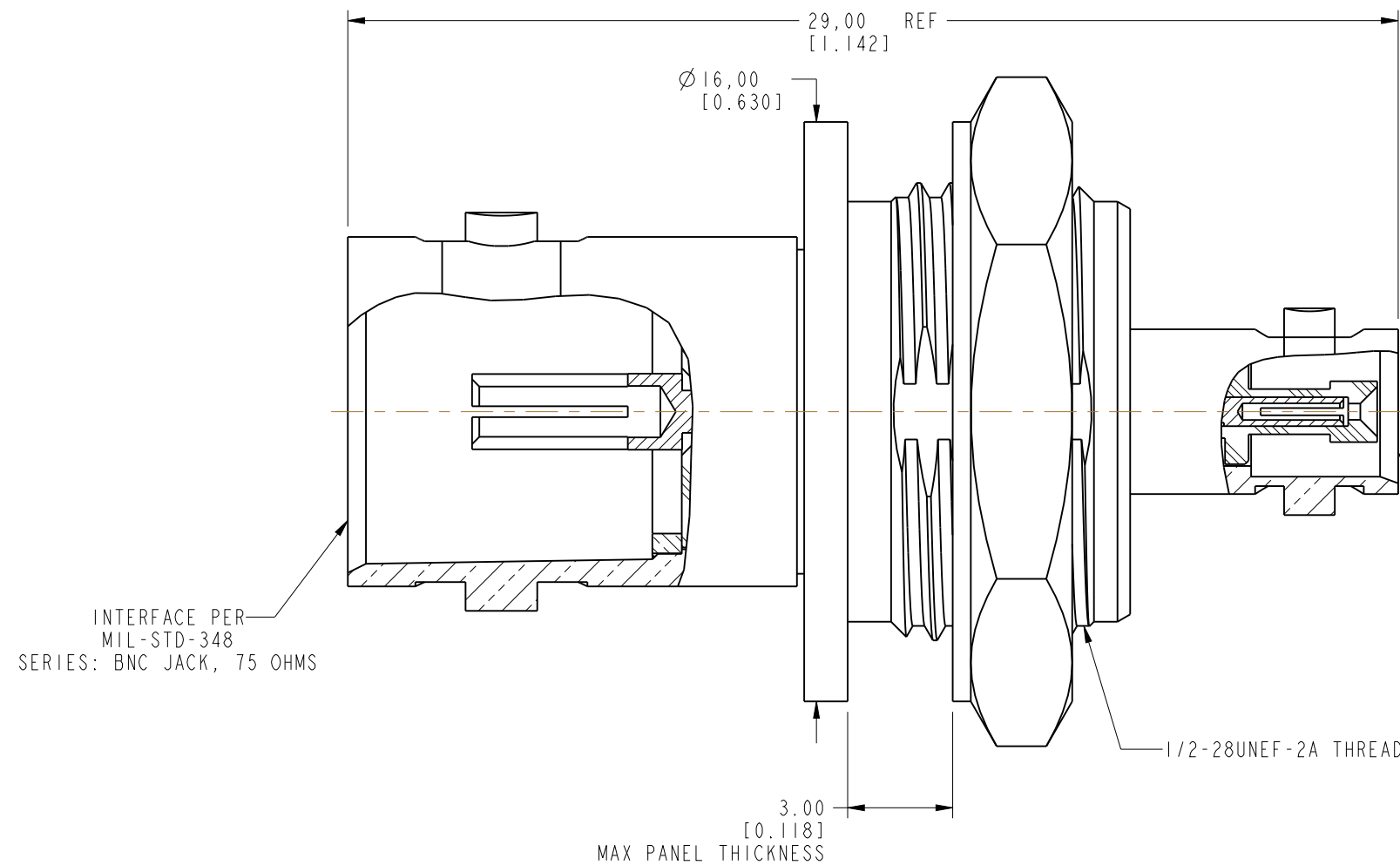
REVISIONS

REV	DESCRIPTION	DATE	ECO	APPR
A	RELEASE TO MFG	4/1/11	48505	CL

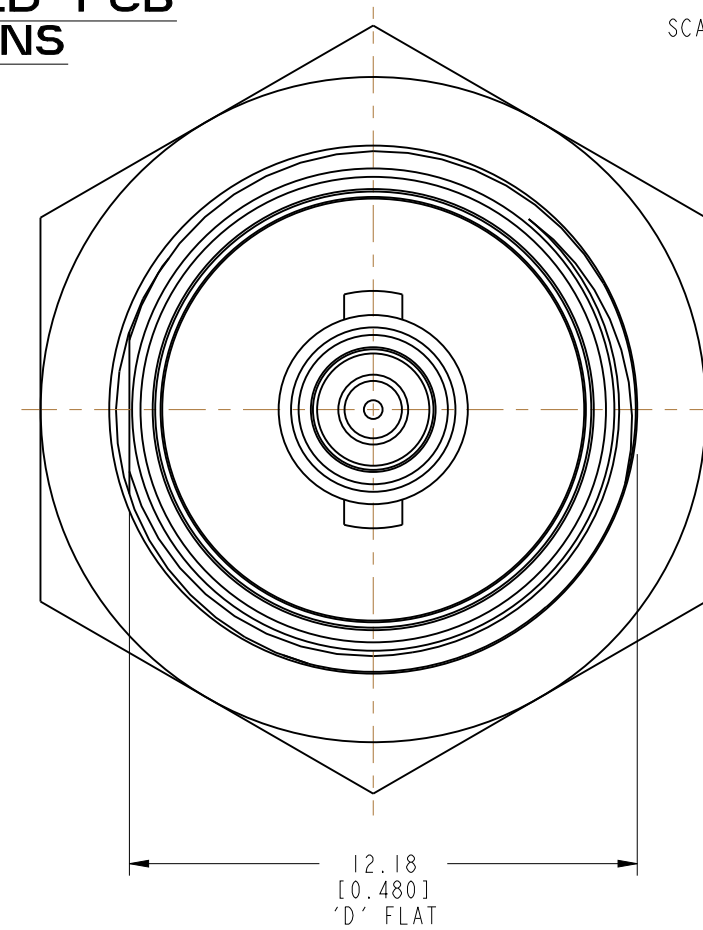


**SCALE 2.500**  
**RECOMMENDED PCB**  
**DIMENSIONS**

SCALE 2.500



INTERFACE PER  
 349-50820  
 SERIES: HD-BNC  
 JACK



**CUSTOMER OUTLINE DRAWING**  
 ALL OTHER SHEETS ARE FOR INTERNAL USE ONLY

UNLESS OTHERWISE SPECIFIED, DIMENSIONS ARE IN METRIC AND TOLERANCES ARE:  
 <0.5mm ±0.05mm    0.5 - 6mm ±0.1mm    6 - 30mm ±0.2mm    30 - 120mm ±0.3mm    ANGLES ±1°

NOTICE - These drawings, specifications, or other data (1) are, and remain the property of Amphenol corp. (2) must be returned upon request; and (3) are confidential and not to be disclosed to any person other than those to whom they are given by Amphenol Corp. the finishing of these drawings, specifications, or other data by Amphenol Corp., or to any other person to anyone for any purpose is not to be regarded by implication or otherwise in any manner licensing, granting rights to permitting such holder or any other sperson to manufacture, use or sell any product, process or design, patented or otherwise, that may in any way be related to or disclosed by said drawings, specifications, or other data.

MATERIAL	SEE NOTES
REFERENCE	EAR # 4295 AND EXP:615X-2714-100
CONFIGURATION LEVEL:	In work
FINISH	

DRAWN	CLEMENT	DATE	27-Sep-10
ENGINEER	PADMANABHAN E	DATE	27-Sep-10
APPROVED	K. CAPOZZI	DATE	4/1/11
CAD FILE			

TITLE	ISOLATED ADAPTER 75 OHM, BNC BHD JACK TO HD BNC JACK	
SCALE:	5.5:1.0	SHEET 2 OF 2
DWG SIZE	B	REV A

Amphenol RF	
www.amphenolrf.com	
DRAWING NO. APH-HD-ISO-BNC	
ITEM NO. APH-HD-ISO-BNC	
PART NO. APH-HD-ISO-BNC	