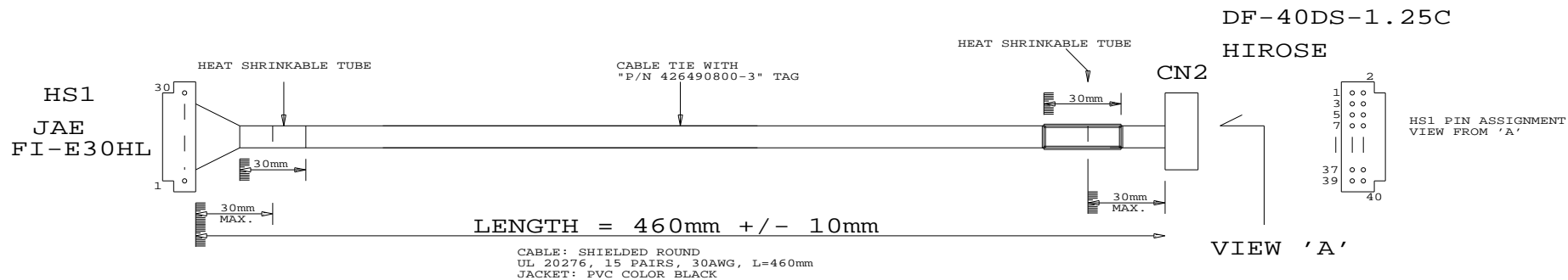
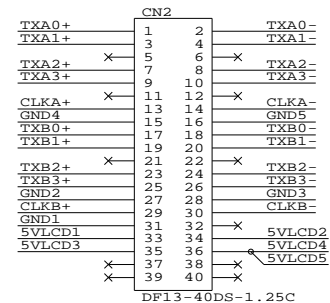
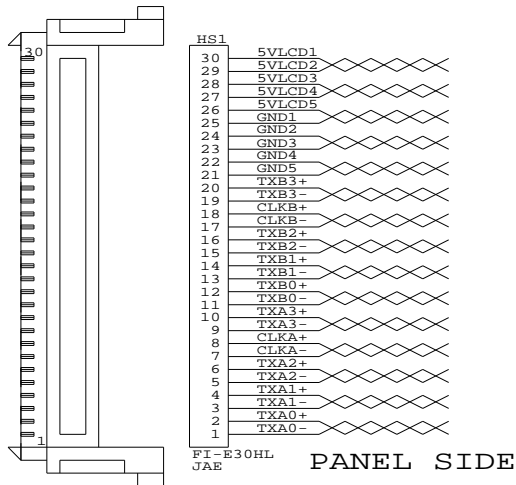


TOLERANCE :
+1.0mm
-1.0mm



USAGE:
CABLE FOR SAMSUNG LTA460H2-L02
(WITH SVH-1920)

P/N 426490800-3
LVDS PANEL CABLE: LTA460H2-L02, 460mm

RoHS
COMPLIANCE

DIGITAL VIEW LTD. COPYRIGHT 2005, ALL RIGHTS RESERVED CONFIDENTIAL		
DRAWN BY: VICTOR NG		
Title	P.CABLE: SAMSUNG LTA460H2-L02, 460mm	
Size	Document Number	
B	(...\DV\DV_CABLE\C6490800.SCH)	REV 02
Date:	August 29, 2006	Sheet 1 of 1