

Specification

(Reference)

Title: TRIMMABLE CHIP RESISTORS;
RECTANGULAR TYPE

Style: FCR1/16,1/10,1/8,1/4,1/2,1

RoHS COMPLIANCE ITEM

Halogen and Antimony Free

Product specification contained in this specification
are subject to change at any time without notice
If you have any questions or a Purchasing Specification for any quality
Agreement is necessary, please contact our sales staff.



釜屋電機株式會社
KAMAYA ELECTRIC CO., LTD.

Issue Dept.: Research & Development Department Hokkaido Research Center

1. Scope

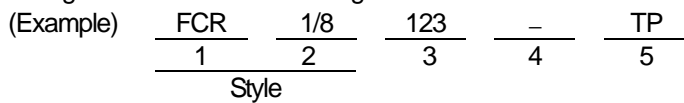
1.1 This specification covers the detail requirements for trimmable chip resistors; rectangular type, style of FCR1/16,1/10,1/8,1/4,1/2,1.

1.2 Applicable documents

- JIS C 5201-1: 1998, JIS C 5201-8: 1998, JIS C 5201-8-1: 1998
- IEC60115-1: 1999, IEC60115-8: 1989 Amendment 1: 1992, IEC60115-8-1: 1989
- EIAJ RC-2134B-2002

2. Classification

Type designation shall be the following form.



- 1 Trimmable chip resistors; rectangular type Style
- 2 Rated dissipation and / or dimension
- 3 Rated resistance Example; 123 → 12kΩ
- 4 Tolerance on rated resistance
- 5 Packaging form

-(Dash)	⁰ / ₋₃₀ %
L	±15%

3. Rating

3.1 The ratings shall be in accordance with Table-1.

The power dissipation shall be the value before resistors are trimmed.

Table-1

Style	Rated dissipation (W)	Temperature coefficient of resistance (10 ⁻⁶ /°C)	Rated resistance range(Ω)	Preferred number series for resistors	Tolerance on rated resistance
FCR1/16	0.063	±200	10~4.7M	E24	⁰ / ₋₃₀ %(-) or ±15%(L)
FCR1/10	0.1	±500—200	1.0~9.1		
FCR1/8	0.125		10~4.7M		
FCR1/4	0.25	±200	10~4.7M		
FCR1/2	0.5				
FCR1	1.0				

Style	Limiting element voltage (V)	Isolation voltage (V)	Category temperature range (°C)
FCR1/16	50	100	-55~+125
FCR1/10	150	500	
FCR1/8	200		
FCR1/4			
FCR1/2			
FCR1			

3.2 Climatic category

55/125/56

- Lower category temperature - 55 °C
- Upper category temperature +125 °C
- Duration of the damp heat, steady state test 56days

3.3 Stability class

5% Limits for change of resistance:
 -for long-term tests $\pm(5\%+0.1\Omega)$
 -for short-term tests $\pm(1\%+0.05\Omega)$

3.4 Derating

The derated values of dissipation at temperature in excess of 70 °C shall be as indicated by the following curve.

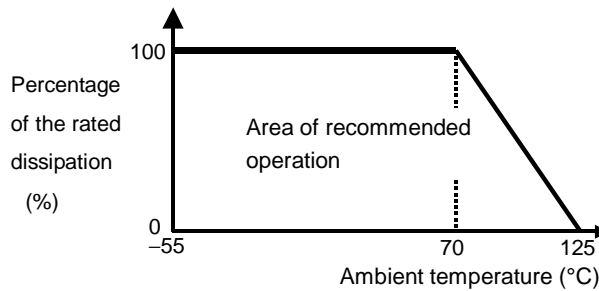


Figure-1 Derating curve

3.5 Rated voltage

d. c. or a. c. r. m. s. voltage calculated from the square root of the product of the rated resistance and the rated dissipation.

$$E = \sqrt{P \cdot R}$$

E : Rated voltage (V)
 P : Rated dissipation (W)
 R : Rated resistance (Ω)

Limiting element voltage can only be applied to resistors when the resistance value is equal to or higher than the critical resistance value.

At high value of resistance, the rated voltage may not be applicable.

4. Packaging form

The standard packaging form shall be in accordance with Table-2.

Table-2

Symbol	Packaging form		Standard packaging quantity / units	Application
B	Bulk (loose package)		1,000 pcs.	FCR1/16,1/10, FCR1/8,1/4, 1/2, 1
TP	Paper taping	8mm width, 4mm pitches	5,000 pcs.	FCR1/16,1/10,1/8
TE	Embossed taping	8mm width, 4mm pitches	4,000 pcs.	FCR1/4
		12mm width, 4mm pitches		FCR1/2,1

5. Dimensions

5.1 The resistor shall be of the design and physical dimensions in accordance with Figure-2 and Table-3.

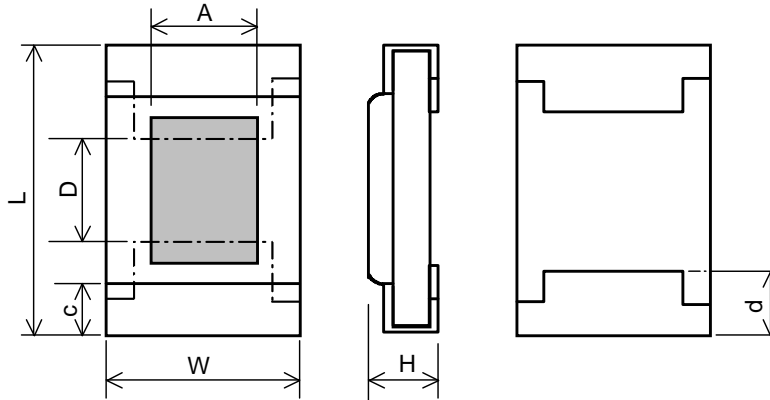


Figure-2
Table-3

Unit : mm

Style	L	W	A	H	D	c
FCR1/16	1.6±0.1	0.8 ^{+0.15} _{-0.10}	----	0.45±0.10	----	0.3±0.1
FCR1/10	2.0±0.1	1.25±0.10	0.71±0.10	0.55±0.1	0.66±0.10	0.4±0.2
FCR1/8	3.1±0.1	1.6±0.15	0.95±0.10	0.55±0.1	1.3±0.1	0.5±0.25
FCR1/4	3.1±0.15	2.5±0.15	1.84±0.10	0.55±0.15	1.32±0.10	0.5±0.25
FCR1/2	5.0±0.15	2.5±0.15	1.7±0.1	0.55±0.15	2.82±0.10	0.6±0.2
FCR1	6.3±0.15	3.2±0.15	2.35±0.10	0.55±0.15	4.0±0.1	0.6±0.2

Style	d	Thickness of resistive film	Thickness of glass overcoat
FCR1/16	0.3±0.1	-----	-----
FCR1/10	0.4±0.2	11±5 μ m	13±5 μ m
FCR1/8	0.5±0.25		
FCR1/4			
FCR1/2	0.6±0.2		
FCR1			

*1. The resistance print shall be on to the horizontal (W) and vertical (L) direction within ±0.2mm.

5.2 Net weight (Reference)

Style	Net weight(mg)
FCR1/16	2
FCR1/10	5
FCR1/8	9
FCR1/4	16
FCR1/2	25
FCR1	40

6. Performance

6.1 The standard condition for tests shall be in accordance with Sub-clause 4.2, JIS C 5201-1: 1998.

6.2 The performance shall be satisfied in Table-4.

6.3 The performance shall be the value before resistors are trimmed.

Table-4(1)

No.	Test items	Condition of test (JIS C 5201-1)	Performance requirements
1	Visual examination	Sub-clause 4.4.1 Checked by visual examination.	As in 4.4.1
2	Dimension Resistance	Sub-clause 4.4.2 Sub-clause 4.5	As specified in Table-3 of this specification. As in 4.5.2 The resistance value shall correspond with the rated resistance taking into account the specified tolerance.
3	Voltage proof	Sub-clause 4.7 Method: 4.6.1.4(See Figure-5) Test voltage: Alternating voltage with a peak value of 1.42 times the insulation voltage. Duration: 60 s ± 5 s Insulation resistance Test voltage: Insulation voltage Duration: 1 min.	No breakdown or flash over R ≥ 1 G Ω
4	Solderability	Sub-clause 4.17 Without ageing Flux: The resistors shall be immersed in a non-activated soldering flux for 2s. Bath temperature: 235 °C ± 5 °C Immersion time: 2 s ± 0.5 s	As in 4.17.4.5 The terminations shall be covered with a smooth and bright solder coating.
5	Mounting Overload (in the mounted state)	Sub-clause 4.31 Substrate material: Epoxide woven glass Test substrate: Figure-3 Sub-clause 4.13 The applied voltage shall be 2.5 times the rated voltage or twice the limiting element voltage, whichever is the less severe. Duration: 2 s Visual examination Resistance	No visible damage ΔR ≤ ± (1%+0.05Ω)

Table-4(2)

No	Test items	Condition of test (JIS C 5201-1)	Performance requirements
6	Mounting Bound strength of the end face plating Final measurements	Sub-clause 4.31 Substrate material: Epoxide woven glass Test substrate: Figure-4 Sub-clause 4.33 Bent value: 3 mm (3225 size max.) 1 mm (5025 size min.) Resistance Sub-clause 4.33.6 Visual examination	$\Delta R \leq \pm (1\%+0.05\Omega)$ No visible damage
7	Resistance to soldering heat Component resistance solvent	Sub-clause 4.18 Solder temperature: 260 °C ± 5 °C Immersion time: 10 s ± 0.5 s Visual examination Resistance Sub-clause 4.29 Solvent: 2-propanol Solvent temperature: 23 °C ± 5 °C Method 2 Recovery: 48 h Visual examination Resistance	As in 4.18.3.4 No sign of damage such as cracks. $\Delta R \leq \pm (1\%+0.05\Omega)$ No visible damage $\Delta R \leq \pm (1\%+0.05\Omega)$
8	Mounting Adhesion Rapid change temperature	Sub-clause 4.31 Substrate material: Epoxide woven glass Test substrate: Figure-3 Sub-clause 4.32 Force: 5 N Duration: 10 s ± 1 s Visual examination Sub-clause 4.19 Lower category temperature: -55 °C Upper category temperature: +125 °C Duration of exposure at each temperature: 30 min. Number of cycles: 5 cycles. Visual examination Resistance	No visible damage No visible damage $\Delta R \leq \pm (1\%+0.05\Omega)$

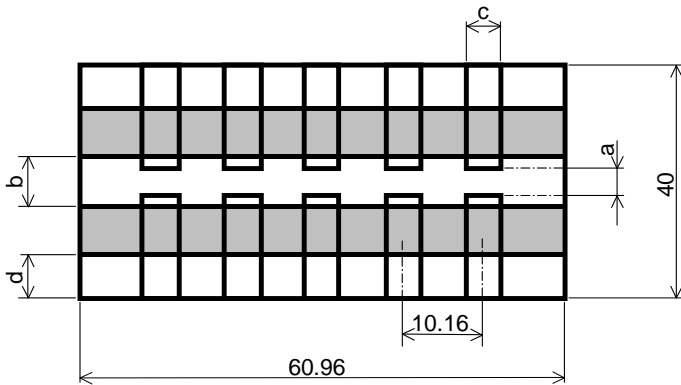
Table-4(3)

No	Test items	Condition of test (JIS C 5201-1)	Performance requirements
9	<p>Climatic sequence</p> <ul style="list-style-type: none"> -Dry heat -Damp heat, cycle (12+12hour cycle) First cycle -Cold -Damp heat, cycle (12+12hour cycle) Remaining cycle -D.C. load 	<p>Sub-clause 4.23</p> <p>Sub-clause 4.23.2</p> <p>Test temperature: +125 °C</p> <p>Duration: 16 h</p> <p>Sub-clause 4.23.3</p> <p>Test method: 2</p> <p>Test temperature: 55 °C</p> <p>[Severity(2)]</p> <p>Sub-clause 4.23.4</p> <p>Test temperature -55 °C</p> <p>Duration: 2h</p> <p>Sub-clause 4.23.6</p> <p>Test method: 2</p> <p>Test temperature: 55 °C</p> <p>[Severity (2)]</p> <p>Number of cycles: 5 cycles</p> <p>Sub-clause 4.23.7</p> <p>The applied voltage shall be the rated voltage or the limiting element voltage whichever is the smaller.</p> <p>Duration: 1 min.</p> <p>Visual examination</p> <p>Resistance</p>	<p>No visible damage</p> <p>$\Delta R \leq \pm (5\%+0.1\Omega)$</p>
10	<p>Mounting</p> <p>Endurance at 70 °C</p>	<p>Sub-clause 4.31</p> <p>Substrate material: Epoxide woven glass (FCR1 may use Alumina substrate.)</p> <p>Test substrate: Figure-3</p> <p>Sub-clause 4.25.1</p> <p>Ambient temperature: 70 °C ± 2 °C</p> <p>Duration: 1000 h</p> <p>The voltage shall be applied in cycles of 1.5 h on and 0.5 h.</p> <p>The applied voltage shall be the rated voltage or the limiting element voltage whichever is the smaller.</p> <p>Examination at 48 h , 500 h and 1000 h:</p> <p>Visual examination</p> <p>Resistance</p>	<p>No visible damage</p> <p>$\Delta R \leq \pm (5\%+0.1\Omega)$</p>

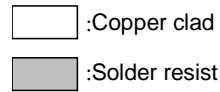
Table-4(4)

No	Test items	Condition of test (JIS C 5201-1)	Performance requirements
11	Mounting Variation of resistance with temperature	Sub-clause 4.31 Substrate material: Epoxide woven glass Test substrate: Figure-3 Sub-clause 4.8 - 55 °C / + 20 °C + 20 °C / + 125°C	As in Table-1
12	Mounting Damp heat, steady state	Sub-clause 4.31 Substrate material: Epoxide woven glass Test substrate: Figure-3 Sub-clause 4.24 Ambient temperature: 40 °C ± 2 °C Relative humidity : 93 ⁺² ₋₃ % a) 1st group: without voltage applied. b) 2nd group: The d. c. voltage shall be applied continuously. The voltage shall be accordance with Sub-clause 4.24.2.1 b). without polarizing voltage [4.24.2.1, c]) Visual examination Resistance	No visible damage $\Delta R \leq \pm (5\%+0.1\Omega)$
13	Dimensions (detail) Mounting Endurance at upper category temperature	Sub-clause 4.4.3 Sub-clause 4.31 Substrate material: Epoxide woven glass Test substrate: Figure-3 Sub-clause 4.25.3 Ambient temperature:125 °C ± 2 °C Duration: 1000 h Examination at 48 h, 500 h and 1000 h: Visual examination Resistance	As in Table-3 No visible damage $\Delta R \leq \pm (5\%+0.1\Omega)$

7. Test substrate

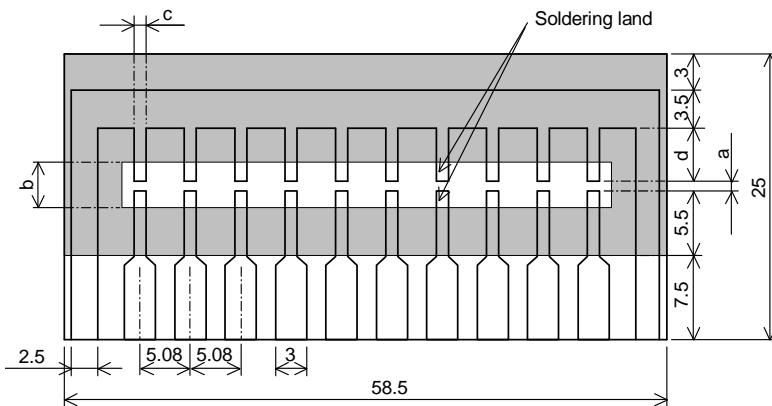


Unit: mm

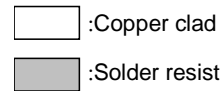


Style	a	b	c	d
FCR1/2	4.0	7.5	2.0	7.5
FCR 1	5.0	9.0	4.5	7.5

FCR1/2, 1 TEST SUBSTRATE

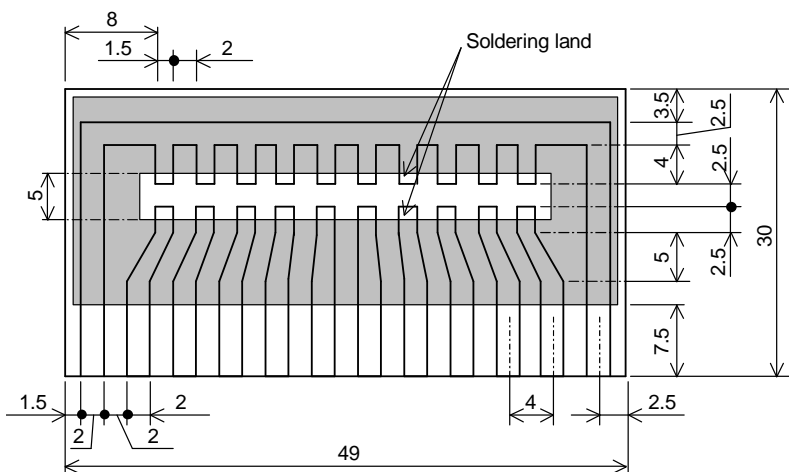


Unit: mm

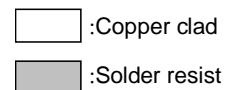


Style	a	b	c	d
FCR1/16	1.0	3.6	1.0	4.5
FCR1/10	1.2	4.0	1.5	4.3
FCR1/4	2.2	5.0	2.9	3.3

FCR TEST SUBSTRATE



Unit: mm_



FCR1/8 TEST SUBSTRATE

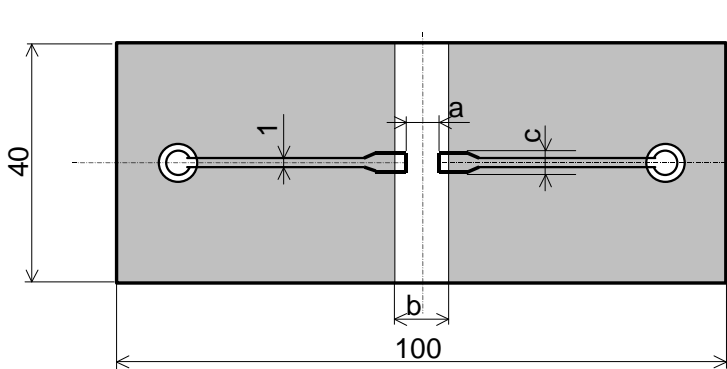
Figure-3

Remark 1). Material: Epoxide woven glass

Thickness: 1.6mm Thickness of copper clad: 0.035mm

2). In the case of connection by connector, the connecting terminals are gold plated.

However, the plating is not necessary when the connection is made by soldering.

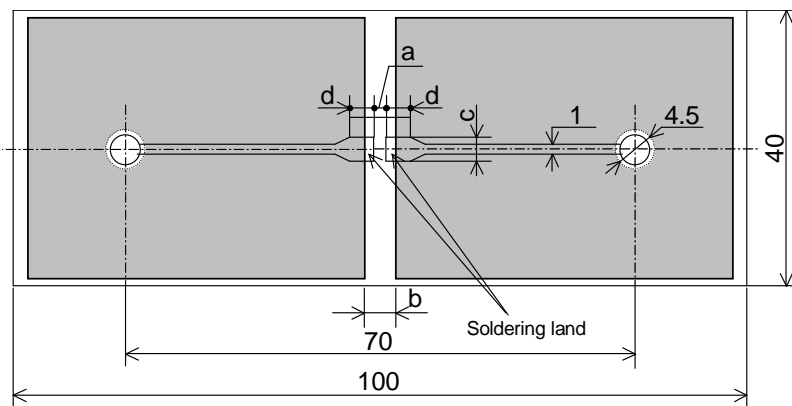


Unit: mm

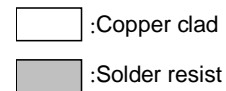


Style	a	b	c
FCR1/2	4.0	7.5	3.0
FCR1	5.0	9.0	4.0

FCR1/2, 1 BOUND STRENGTH OF THE END FACE PLATING TEST SUBSTRATE



Unit: mm



Style	a	b	c	d
FCR1/16	1.0	3.6	1.2	3.0
FCR1/10	1.2	4.0	1.65	3.0
FCR1/8	2.5	5.0	2.0	2.5
FCR1/4	2.2	5.0	2.9	2.5

FCR BOUND STRENGTH OF THE END FACE PLATING TEST SUBSTRATE

Remark 1). Material: Epoxide woven glass
Thickness: 1.6mm Thickness of copper clad: 0.035mm

Figure-4

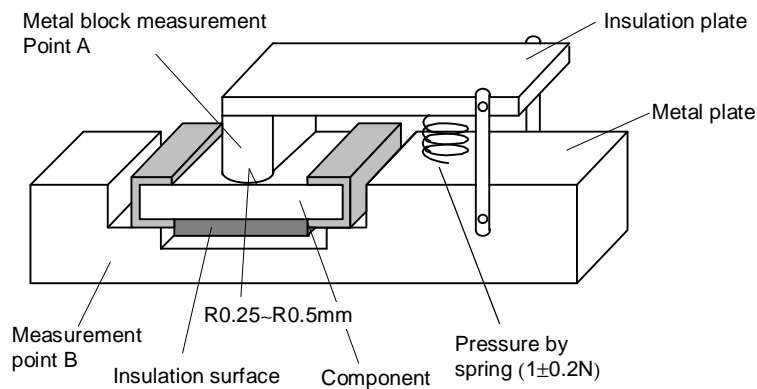


Figure-5

8. Taping

8.1 Applicable documents JIS C 0806-3: 1999, EIAJ ET-7200B: 2003

8.2 Taping dimensions

8.2.1 Paper taping (8mm width, 4mm pitches)

Taping dimensions shall be in accordance with Figure-6 and Table-5.

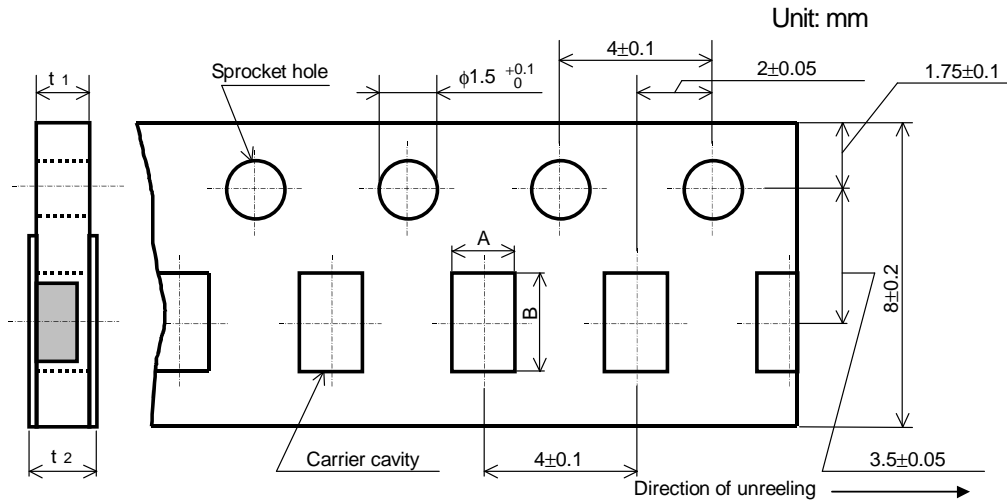


Figure-6

Table-5

Style	A	B	t ₁	t ₂
FCR1/16	1.15±0.15	1.9±0.2	0.6±0.1	0.8max.
FCR1/10	1.65±0.15	2.5±0.2	0.8±0.1	1.0max.
FCR1/8	2.0±0.15	3.6±0.2		

8.2.2 Embossed taping dimensions shall be in accordance with Figure-7 and Table-6.

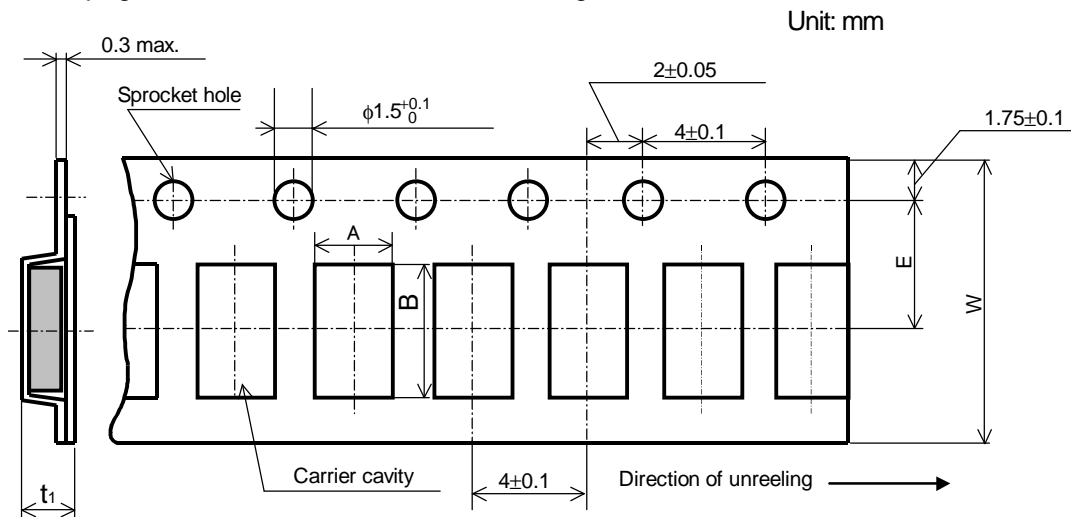


Figure-7

Table-6

Style	A	B	W	E	t ₁
FCR1/4	2.85±0.20	3.5±0.2	12.0±0.3	5.5±0.05	1.0±0.2
FCR1/2	3.1±0.2	5.5±0.2			
FCR 1	3.6±0.2	6.9±0.2			

- 1). The cover tapes shall not cover the sprocket holes.
- 2). Tapes in adjacent layers shall not stick together in the packing.
- 3). Components shall not stick to the carrier tape or to the cover tape.
- 4). Pitch tolerance over any 10 pitches $\pm 0.2\text{mm}$.
- 5). The peel strength of the top cover tape shall be with in 0.1N to 0.5N on the test method as shown in the following
FCR1/16,1/10,1/8: Figure-8, FCR1/4, 1/2, 1: Figure-9.
- 6). When the tape is bent with the minimum radius for FCR1/16,1/10,1/8,1/4: 25 mm, or FCR1/2, 1: 30 mm, the tape shall not be damaged and the components shall maintain their position and orientation in the tape.
- 7). In no case shall there be two or more consecutive components missing.
The maximum number of missing components shall be one or 0.1%, whichever is greater.
- 8). The resistors shall be faced to upward at the over coating side in the carrier cavity.

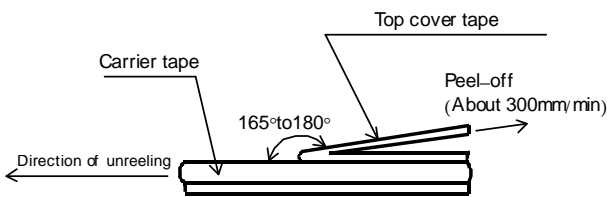


Figure-8

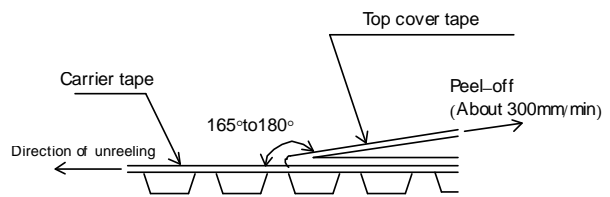


Figure-9

8.3 Reel dimension

Reel dimensions shall be in accordance with the following Figure-10 and Table-7.
Plastic reel (Based on EIAJ ET-7200B) Unit: mm

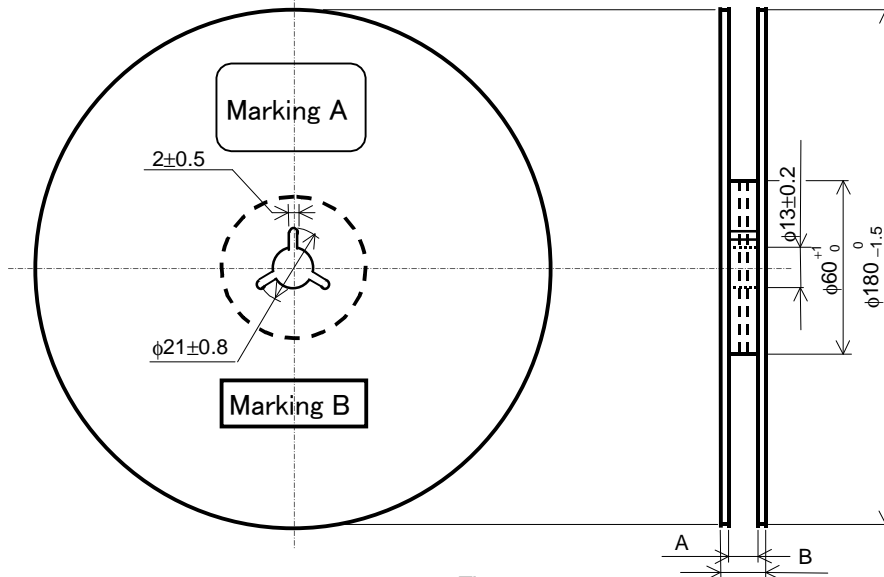


Figure-10

Table-7

Unit: mm

Style	A	B	Note
FCR1/16,1/10,1/8,1/4	9 $\begin{smallmatrix} +1.0 \\ 0 \end{smallmatrix}$	11.4±1.0	Injection molding
		13±1.0	Vacuum forming
FCR1/2,1	13 $\begin{smallmatrix} +1.0 \\ 0 \end{smallmatrix}$	17±1.0	Vacuum forming

Note: Marking label shall be marked on a place of Marking A or two place of marking A and B.

8.4 Leader and trailer tape.

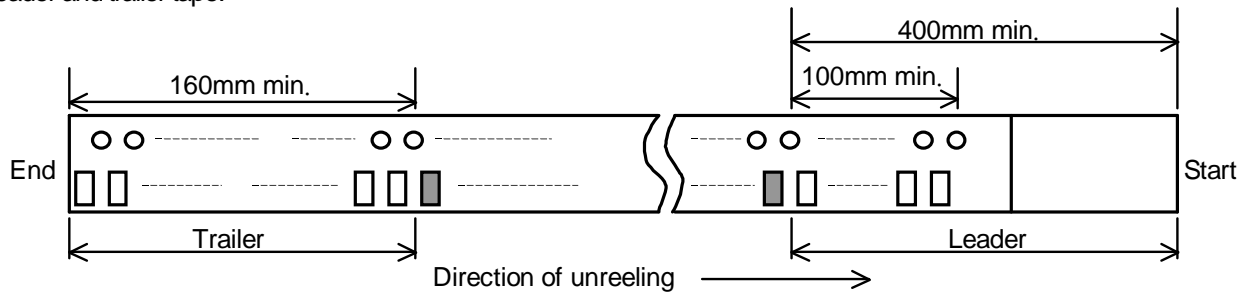


Figure-11

9. Marking on package

The label of a minimum package shall be legibly marked with follows.

9.1 Marking A

- (1) Classification (Style, Rated resistance, Tolerance on rated resistance, Packaging form)
- (2) Quantity (3) Lot number (4) Manufacturer's name or trade mark (5) Others

9.2 Marking B (KAMAYA Control label)

Mouser Electronics

Authorized Distributor

Click to View Pricing, Inventory, Delivery & Lifecycle Information:

[Walsin:](#)

[FCR1/10221-TP](#)