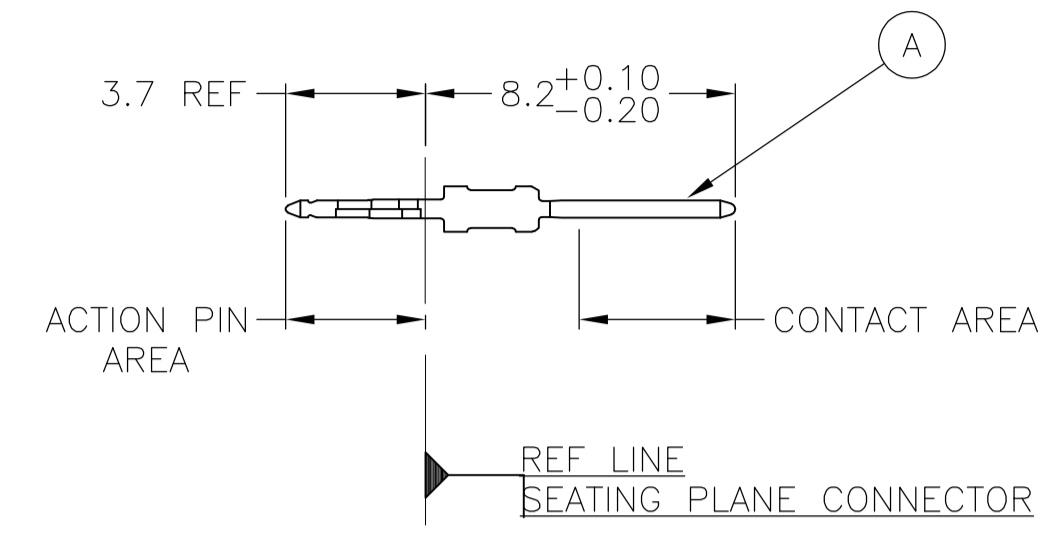


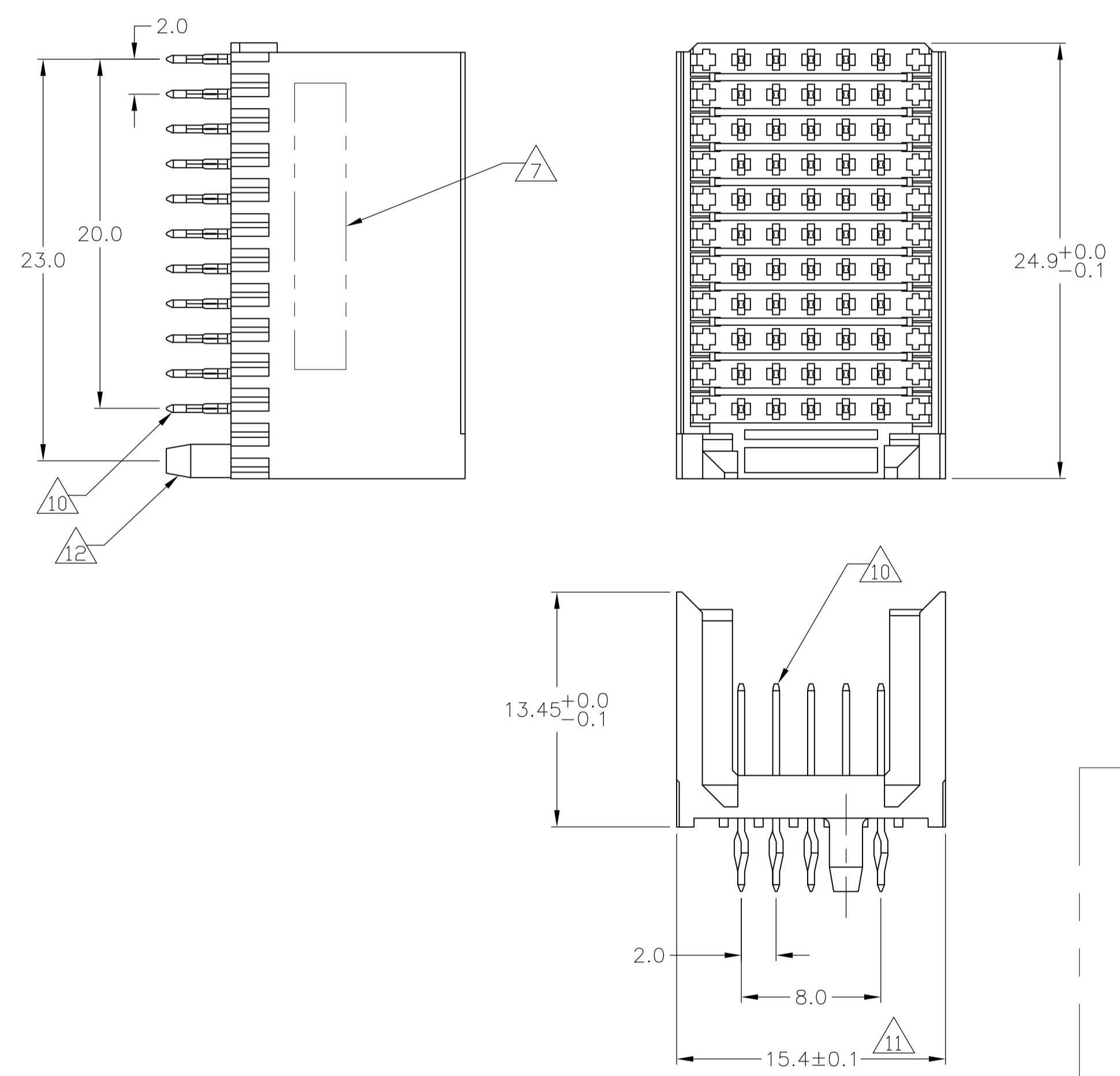
LOC		DIST		REVISIONS			
AD	00	REV	DATE	BY	CHK	APPV	
F1	REVISED PER ECO-11-005033		26MAR11	RK	HMR		

CONTACT DIMENSIONS

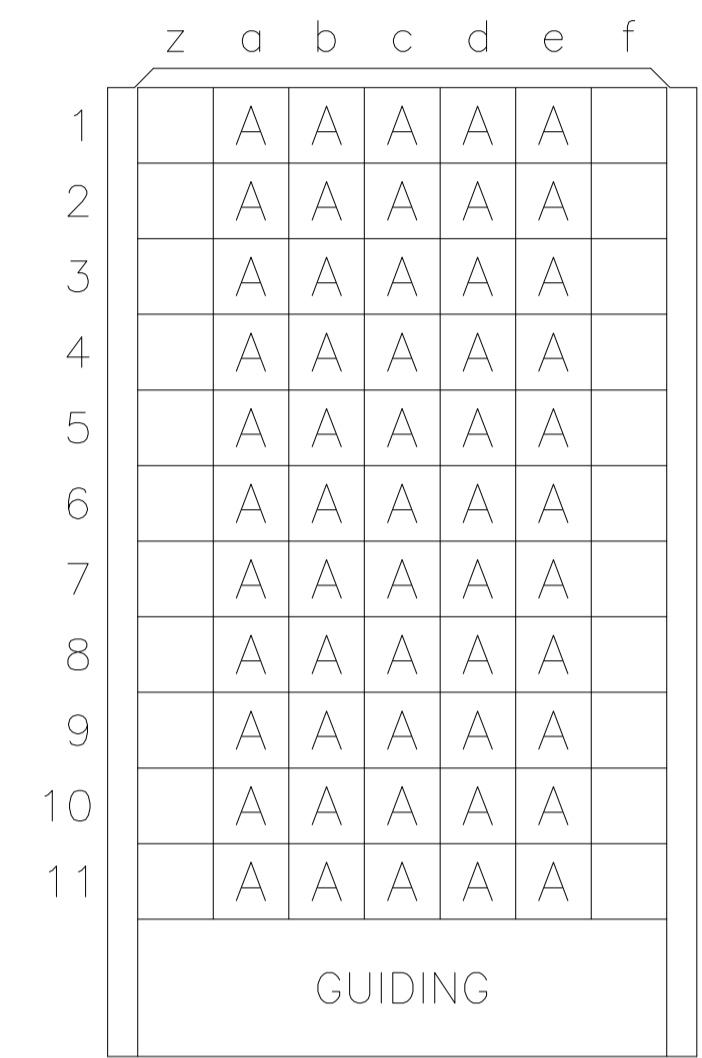
SCALE 5:1



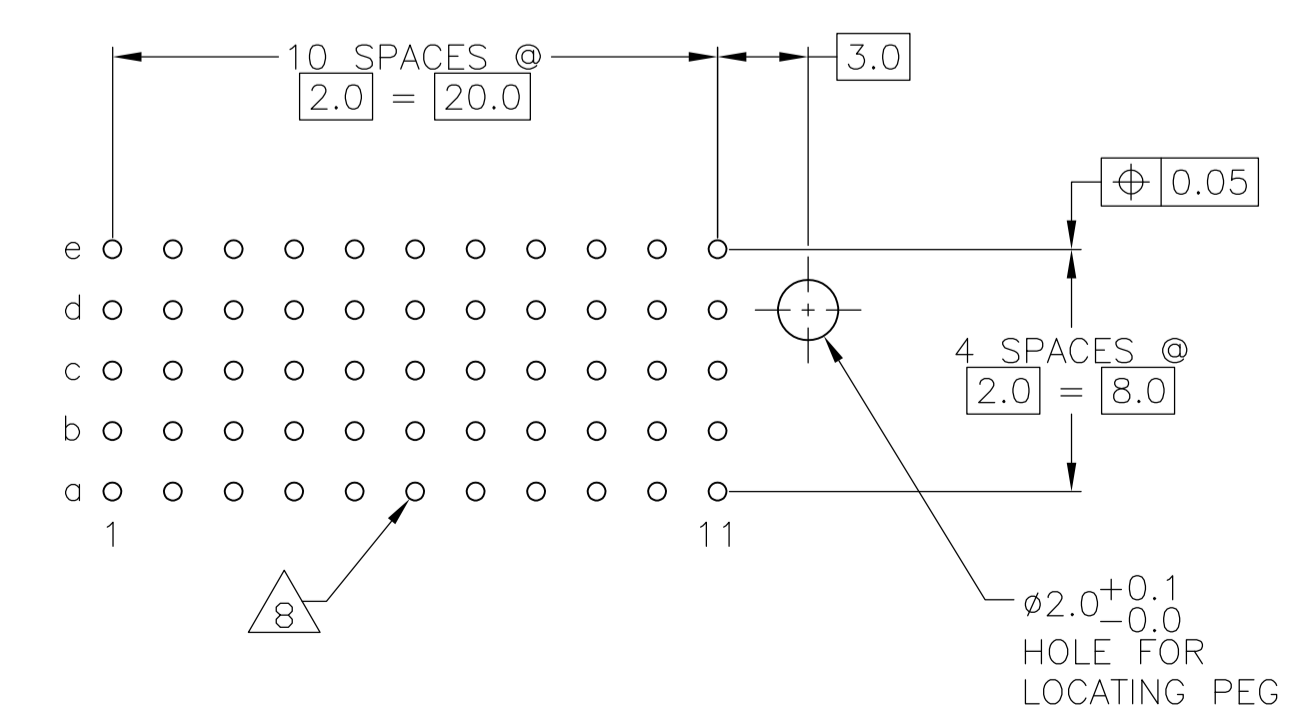
CONNECTOR ASSEMBLY EXAMPLARY LOADED



CONTACT LAYOUT



RECOMMENDED PCB-HOLE LAYOUT COMPONENT SIDE SHOWN



PLATED THRU HOLES PARAMETERS

REFERENCE APPLICATION SPECIFICATION


	2 3 14	3-5100159-0
	2 6	1-5100159-9
OBSOLETE	2 5 13	5100159-9
OBSOLETE	2 4	5100159-4
	2 3	5100159-1
FINISH		PART NUMBER

THIS DRAWING IS A CONTROLLED DOCUMENT.

DIMENSIONS: mm	TOLERANCES UNLESS OTHERWISE SPECIFIED:	DIN B CARBO 24JAN05	24JAN05	24JAN05	24JAN05
0-PLG ±	1-PLG ± 0.2 ± 0.2	CHK G SKIPPER	NAME	MALE ASSEMBLY, Z-PACK 2mm HM, TYPE C	RESTRICTED TO
2-PLG ± 0.02	3-PLG ± 0.005	APPV G SKIPPER 24JAN05	PRODUCT SPEC	108-19082	SIZE CAGE CODE DRAWING NO
4-PLG ± 0.30	ANGLES ± 0.30	APPLICATION SPEC	114-19029	A1 00779 C=5100159	WEIGHT
MATERIAL	FINISH SEE TABLE	WEIGHT	CUSTOMER DRAWING	SCALE 4:1	SHEET 1 OF 2 REV F1

LOC	DIST	REVISIONS			
AD	00	REV	DATE	BY	APPV
-	-	1	SEE SHEET 1	-	-

- 1 MATERIAL:
CONTACT: PHOSPHOR BRONZE.
HOUSING: GLASS-FILLED POLYESTER.
- 2 GENERAL PLATING SPECIFICATION: UNDERPLATING
(ENTIRE CONTACT): 1.27µm MIN NICKEL AND ACTION
PIN: 0.5µm MIN TIN.
FOR PLATING OF MATING SURFACES SEE APPLICABLE
SPECIFICATION REFERENCE FOR EACH DASH NUMBER.
- 3 CONFORMS TO ALL TESTING ACCORDING TO IEC 61076-4-101
PERFORMANCE LEVEL 2.
- 4 CONFORMS TO ALL TESTING ACCORDING TO IEC 61076-4-101
PERFORMANCE LEVEL 1.
- 5 CONNECTOR TESTED AND QUALIFIED AGAINST TELCORDIA GR-1217-CORE QUALITY LEVEL 3,
CENTRAL OFFICE APPLICATIONS.
- 6 CONNECTOR TESTED AND QUALIFIED AGAINST TELCORDIA GR-1217-CORE QUALITY LEVEL 3,
UNCONTROLLED ENVIROMENT APPLICATIONS.
- 7 CONNECTOR MARKED WITH PART NUMBER AND DATE CODE.
ADDITIONAL CHARACTERS OR MARKINGS, AS WELL AS THE LOCATION OF THE MARKINGS,
MAY BE ADDED FOR TRACEABILITY BASED UPON MANUFACTURERS DISCRETION.
- 8 PLATED-THROUGH HOLES AT 2x2mm SQUARE GRID
PATTERN DEFINED BY CONTACT LAYOUT.
- 9 FOR ACTUAL PIN LOADING SEE "CONTACT LAYOUT".
- 10 FOR ACTUAL PIN DIMENSIONS SEE "CONTACT DIMENSIONS".
- 11 TO BE MEASURED AT BOTTOM OF SHROUD.
- 12 LOCATION PEG.
- 13 CONNECTOR LUBRICATED WITH BELCORE APPROVED LUBRICANT,
TECHNICAL REFERENCE: TR-NWT-001217 ISSUE 1, SEP 1992.
- 14 0.76µm MIN. GOLD PLATING AT MATING SURFACES.

THIS DRAWING IS A CONTROLLED DOCUMENT.		DIN B CARBO 24JAN05		 TE Connectivity	
DIMENSIONS: mm		GSKIPPER 24JAN05			
TOLERANCES UNLESS OTHERWISE SPECIFIED:		APVD GSKIPPER 24JAN05		NAME	
0-PLC ± 1-PLC ±0.2 2-PLC ±0.02 3-PLC ±0.005 4-PLC ± ANGLES ±0.30°		PRODUCT SPEC		MALE ASSEMBLY, Z-PACK 2mm HM, TYPE C	
MATERIAL SEE SHEET 1		FINISH SEE SHEET 1		APPLICATION SPEC	
WEIGHT		SIZE		RESTRICTED TO	
CUSTOMER DRAWING		A1 00779		DRAWING NO. 5100159	
SCALE 4:1		SHEET 2 OF 2		REV F1	