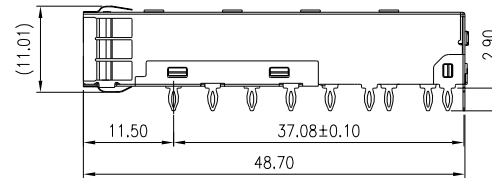
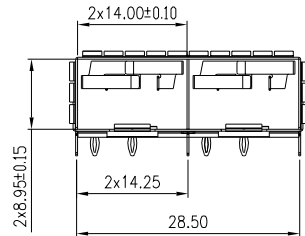
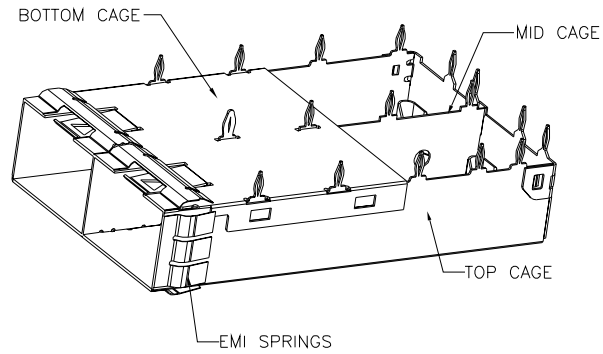
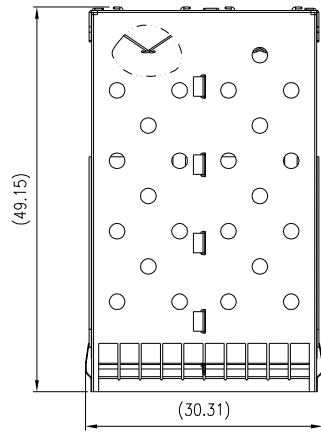


Product Number	Packaging
10127103-101LF	Tray



NOTES:

1, DESCRIPTION	Q'ty	MATERIAL	PLATING
TOP CAGE	1PCS	NICKEL SILVER ALLOY T=0.25	NO PLATING
BOTTOM CAGE	1PCS	NICKEL SILVER ALLOY T=0.25	NO PLATING
MID CAGE	1PCS	NICKEL SILVER ALLOY T=0.25	NO PLATING
EMI SPRINGS	4PCS	COPPER ALLOY T=0.08	Ni PLATED

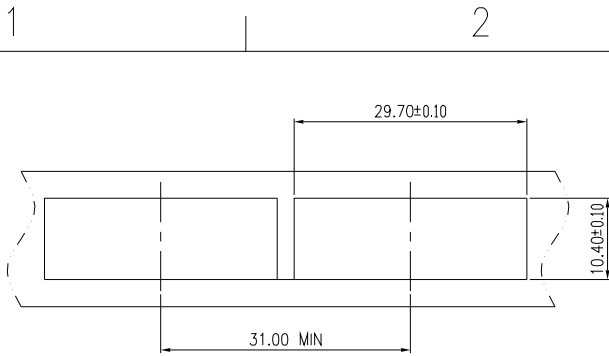
2, PRODUCT SPECIFICATION: GS-12-1165  
3, APPLICATION SPECIFICATION: GS-20-0384  
4, PACKAGE PER GS-14-2344 AND GS-14-920



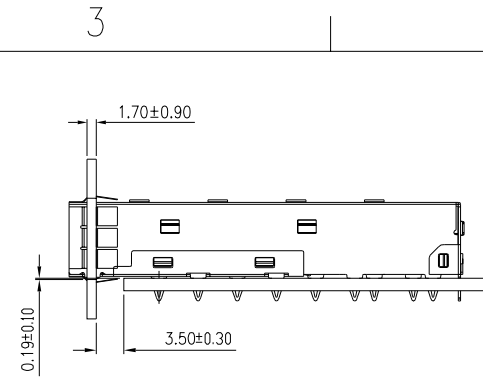
Copyright FCI.

spec ref	RELEASE	dr	Art Lin	2014-01-08	projection 	MM ←→	size	scale	
tolerance std	TOLERANCES UNLESS OTHERWISE SPECIFIED	eng	Zhen Luo	2014-01-08			A4	1:1	
ISO406		chr	Collins Lu	2014-01-09			ecn no		
ISO1101		appr	JEFFREY QIN	2014-01-09	product family	SFP+	rel level	Released	
surface	linear	0.X	±0.25		title	SFP+ 1X2 CAGE EMI SPRING TYPE PRESS FIT	dwg no	10127103	rev
		0.XXX	±0.15						
ISO1302	angular	0°	±0.5°	www.fci.com	cat. no.	-	Product-Customer Drw	sheet 1 of 2	

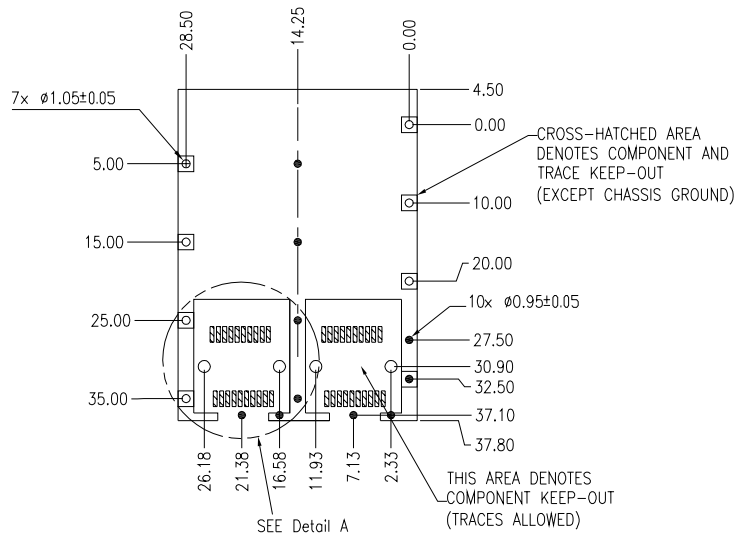
Pro/E File - REV C - 2009-06-09



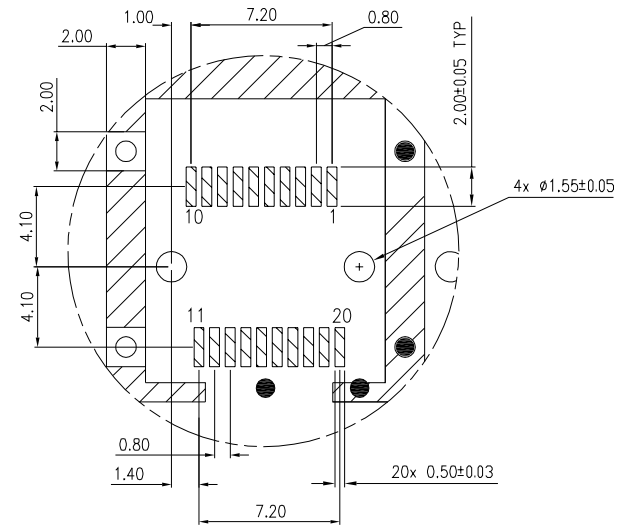
RECOMMENDED BEZEL CUT-CUT SINGLE SIDE APPLICATIONS



MOUNTED ON PC BOARD  
SHOWN THRU RECOMMENDED BEZEL



PCB LAYOUT THICKNESS=3.0MM (TOP VIEW)



Detail A  
SCALE 2.5:1



Copyright FCI.

spec ref	RELEASE			dr	Art Lin	2014-01-08	projection	MM	size	scale
tolerance std	TOLERANCES UNLESS OTHERWISE SPECIFIED			eng	Zhen Luo	2014-01-08			A4	1:1
ISO406				chr	Collins Lu	2014-01-09	product family	SFP+	ecn no	
ISO1101				apppr		JEFFREY QIN			2014-01-09	rel level
surface	linear	0.X	±0.25	FCI	title			dwg no	10127103	rev
		0.XX	±0.20							
ISO1302	angular	0°	±0.5°		www.fci.com	cat. no.	-	Product-Customer Drw	sheet 2 of 2	