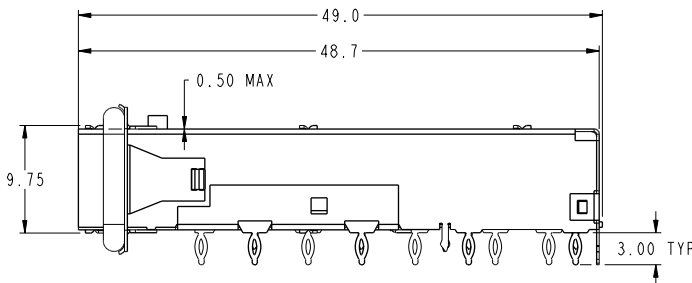
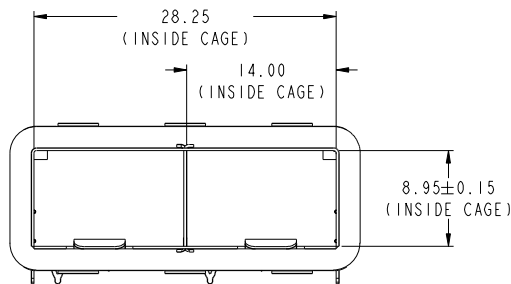
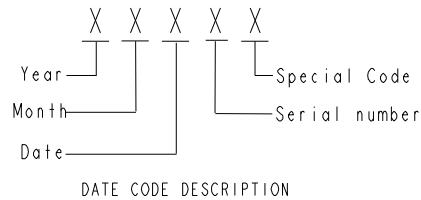
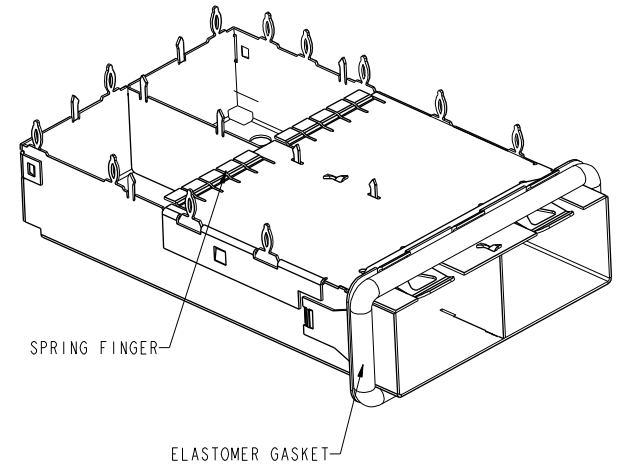
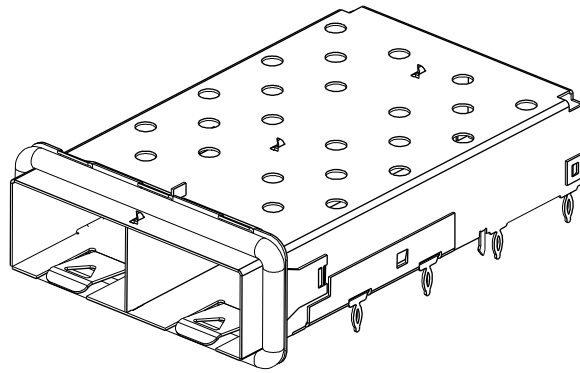
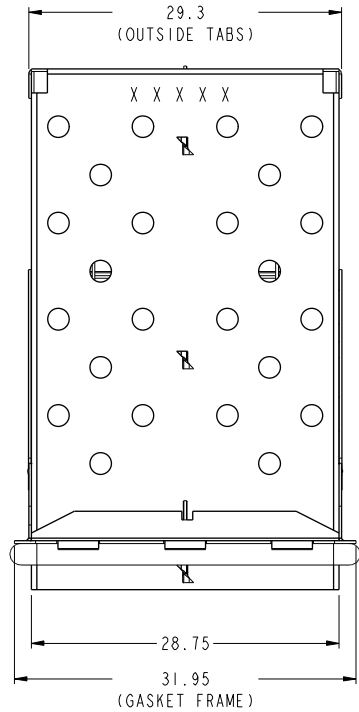


PRODUCT NUMBER	PACKAGING
10099101-011LF	TRAY



NOTES:

- MATERIAL:
CAGE BODY: COPPER ALLOY; PLATING : 1.27µm MIN NICKEL.
EMI GASKET: CONDUCTIVE ELASTOMER.
- PORTS ARE DESIGNED FOR SFP+ TRANSCEIVERS AND ARE COMPATIBLE WITH SFP TRANSCEIVERS.
- CONNECTOR PAD LAYOUT PER SFP+ MSA.
- PRODUCT SPECIFICATION: GS-12-616
- APPLICATION SPECIFICATION: GS-20-125
- PRODUCT MEETS EUROPEAN UNION DIRECTIVES AND OTHER COUNTRY REGULATIONS AS DESCRIBED IN GS-22-008.
- PADS AND VIAS GO TO CHASSIS GROUND.
- SPACING BETWEEN PORTS TO BE 14.25.
- HATCHED AREA DENOTES COMPONENT AND TRACE KEEP-OUT (EXCEPT CHASSIS GROUND).
- THIS AREA DENOTES COMPONENT KEEP-OUT (TRACES ALLOWED).
- PCB THICKNESS VARIATION MUST BE CONSIDERED WHEN DETERMINING BEZEL OPENING, SIZE AND LOCATION
- DATE CODE BE PRINTED ON PROPER SURFACE.

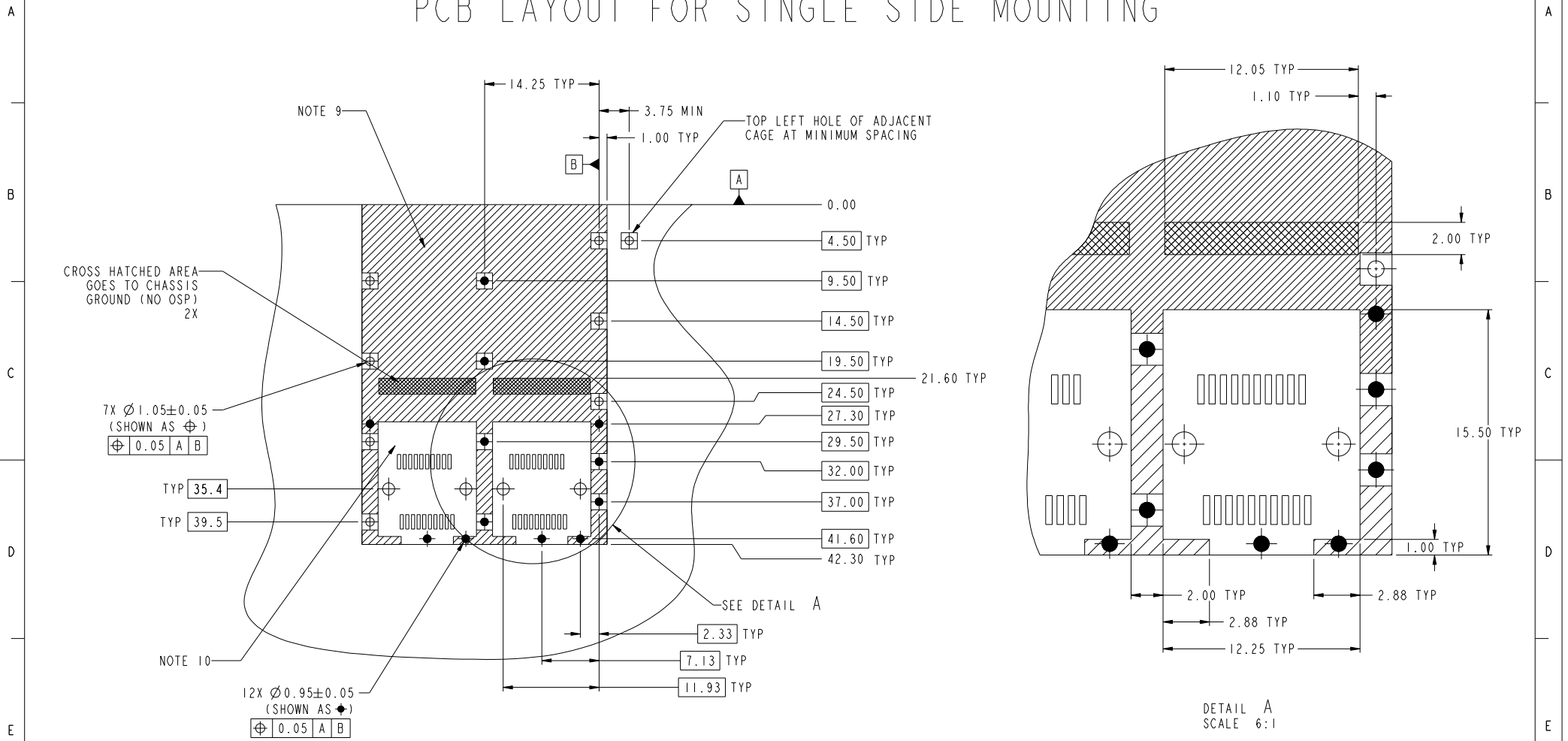
Copyright FCI.

rev	ecr no	dr	date
A	V09-0442	SM	2009-11-02
B	N10-0376	ANDY	2010-11-24
-	-	-	-
-	-	-	-
-	-	-	-

www.fciconnect.com		surface	tolerance std	projection	MM
		ASME Y14.5	ASME Y14.5		
TOLERANCES UNLESS OTHERWISE SPECIFIED					
Dr	S. MANI	2009-04-24	ANGULAR	LINEAR	size
Eng	M. GRAY	2009-05-27	0° ± .*	0.xxx	±0.20
Chr	M. GRAY	2009-05-27	0° ± .*	0.xxx	±0.10
Appr	M. GRAY	2009-05-27	Product family		size
			SFP+		A2
			Spec ref		Scale
			RELEASE		3:1
			ECN		N10-0376
			CUSTOMER		RELEASE
			10099101		Rev.
			B		
			sheet 1 of 4		

PRODUCT NUMBER
10099101-011LF

PCB LAYOUT FOR SINGLE SIDE MOUNTING

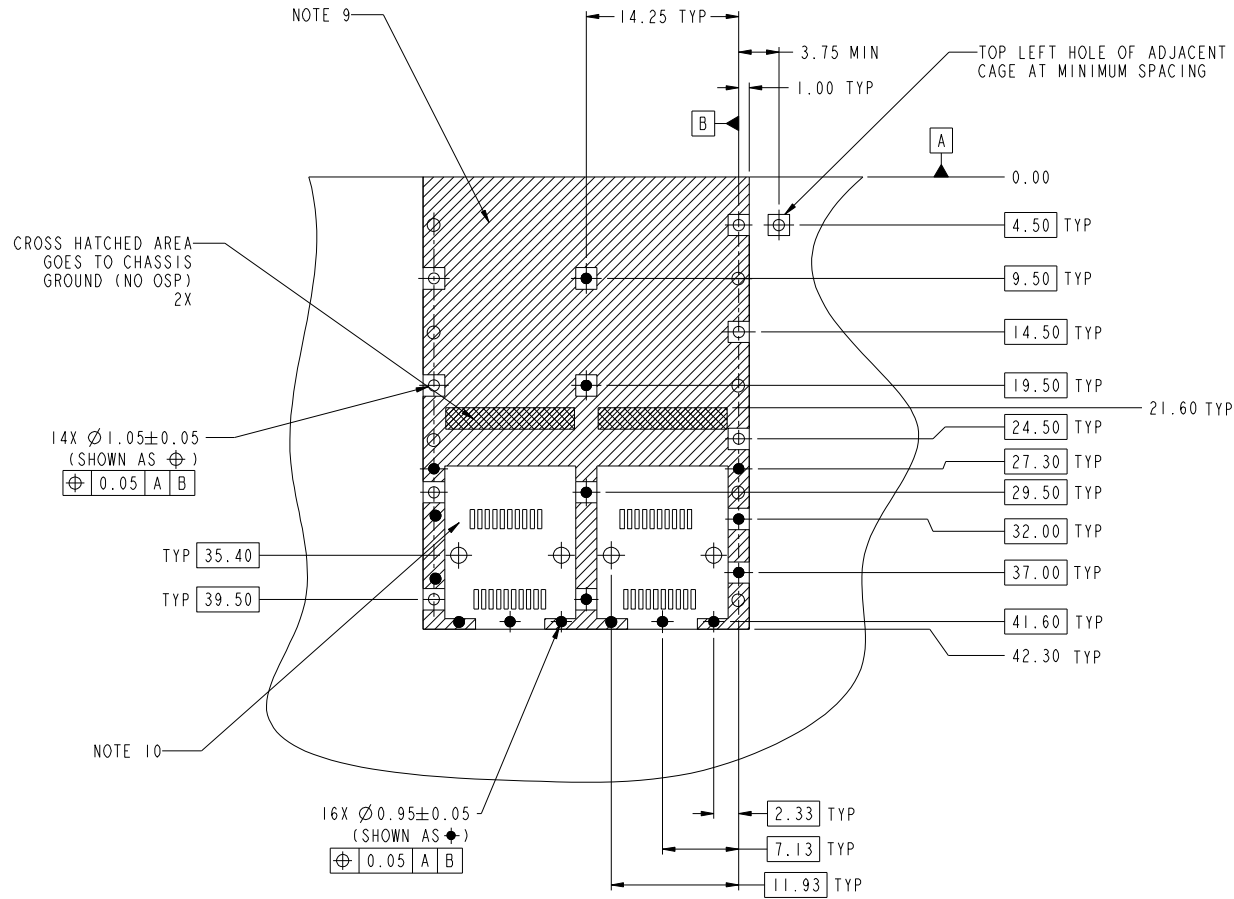


www.fciconnect.com			surface ASME Y14.5	tolerance std ASME Y14.5	projection ASME Y14.5	MM
TOLERANCES UNLESS OTHERWISE SPECIFIED			ANGULAR	LINEAR	size	Scale
Dr	S. MANI	2009-04-24	0.x	± 0.20	A2	1:1
Eng	M. GRAY	2009-05-27	0.xx	± 0.10	ECN	N10-0376
Chr	M. GRAY	2009-05-27	0.xxx	\pm	Spec ref	RELEASE
Appr	M. GRAY	2009-05-27	Product family		SFP+	Spec ref
FCI			SFP+ 1X2 CAGE		10099101	Rev.
TOP MOUNT			catalog no		CUSTOMER	sheet 2 of 4

Copyright FCI.

PRODUCT NUMBER
10099101-011LF

PCB LAYOUT FOR BELLY TO BELLY MOUNTING

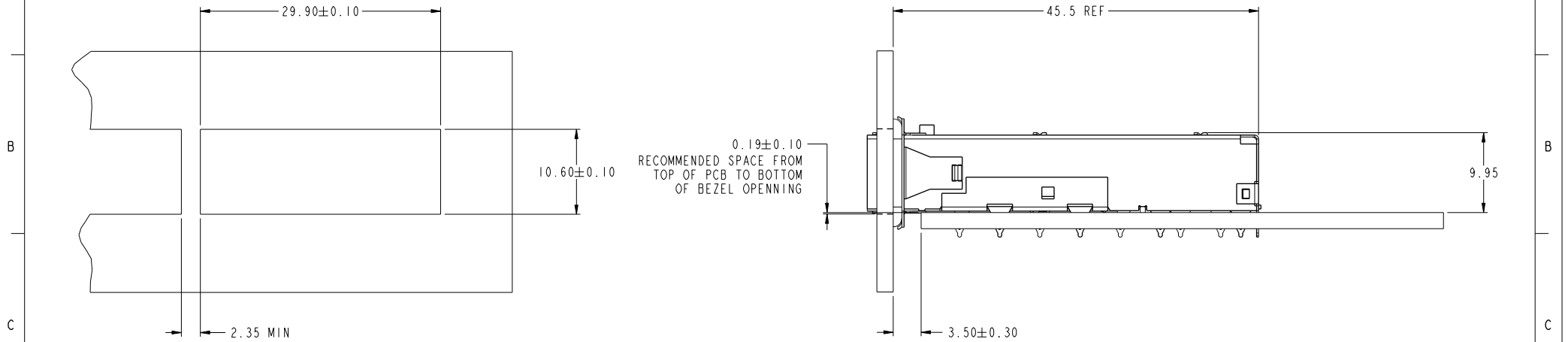


Copyright FCI.
FCI

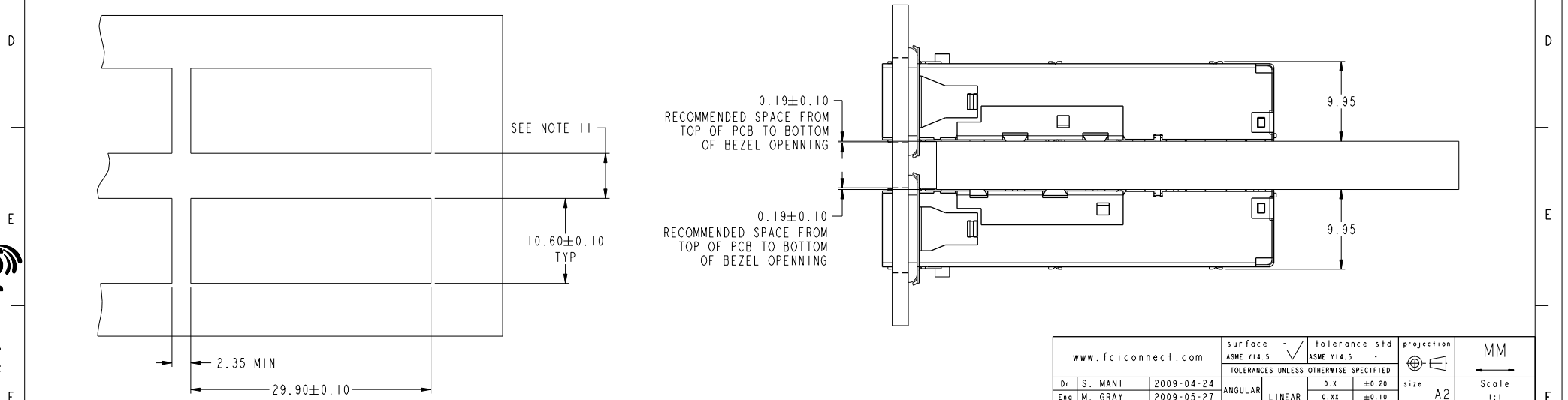
www.fciconnect.com			surface ASME Y14.5	tolerance std ASME Y14.5	projection	MM
TOLERANCES UNLESS OTHERWISE SPECIFIED			TOLERANCES UNLESS OTHERWISE SPECIFIED		size A2 Scale 1:1	
Dr	S. MANI	2009-04-24	ANGULAR	0.x	±0.20	
Eng	M. GRAY	2009-05-27	LINEAR	0.xx	±0.10	
Chr	M. GRAY	2009-05-27	0° ±'	0.xxx	±'	ECN N10-0376
Appr	M. GRAY	2009-05-27	Product family		SFP+	Spec ref RELEASE
FCI			TITLE SFP+ 1X2 CAGE TOP MOUNT		10099101	Rev. B
catalog no			CUSTOMER		sheet 3 of 4	

PRODUCT NUMBER
10099101-011LF

BEZEL AND BOARD POSITION DIMENSIONS FOR SINGLE SIDE MOUNTING



BEZEL AND BOARD POSITION DIMENSIONS FOR BELLY TO BELLY MOUNTING



Copyright FCI.
FCI

www.fciconnect.com			surface ASME Y14.5	tolerance std ASME Y14.5	projection	MM
			TOLERANCES UNLESS OTHERWISE SPECIFIED			
Dr	S. MANI	2009-04-24	ANGULAR	0.x	±0.20	size
Eng	M. GRAY	2009-05-27	LINEAR	0.xx	±0.10	A2
Chr	M. GRAY	2009-05-27	0° ±'	0.xxx	±'	ECN
Appr	M. GRAY	2009-05-27	Product family		SFP+	Spec ref
FCI			SFP+ 1X2 CAGE		10099101	
			TOP MOUNT		RELEASE	
catalog no			CUSTOMER		sheet 4 of 4	