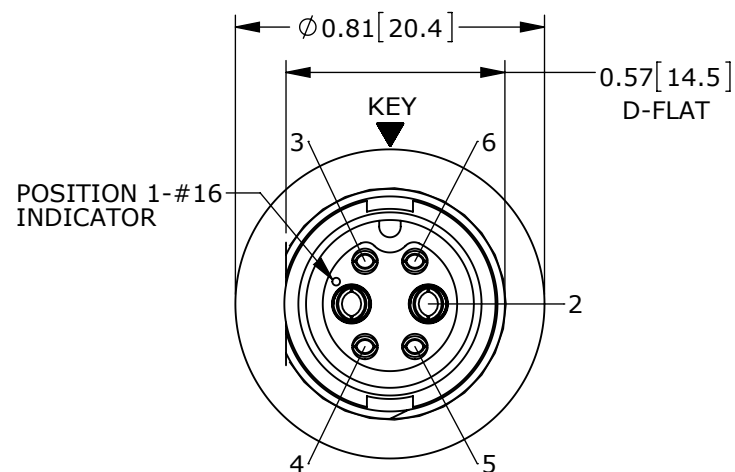
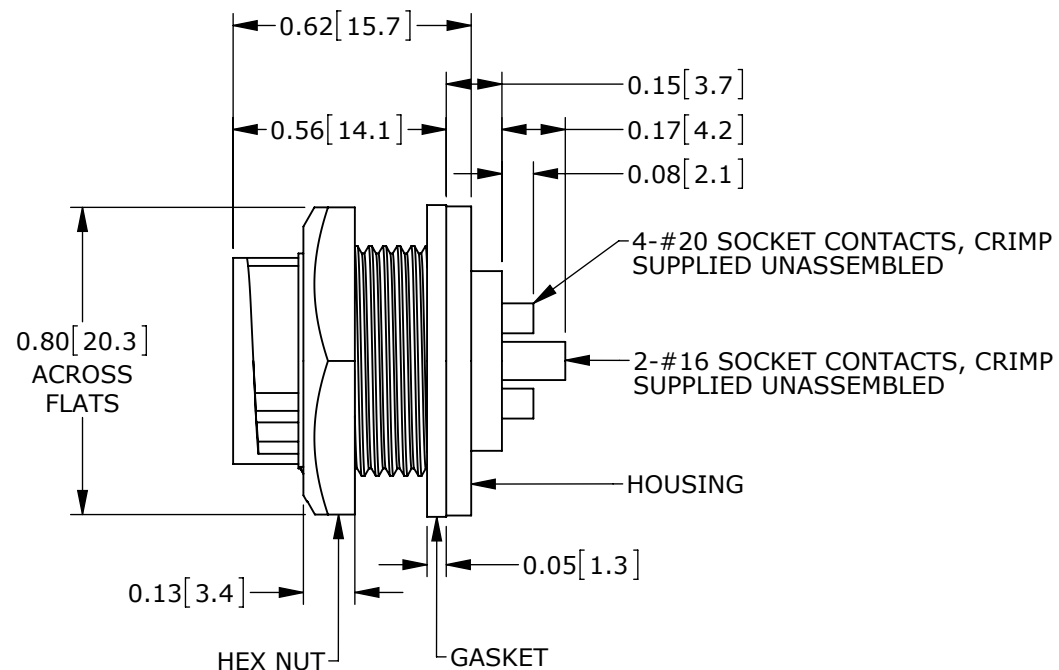


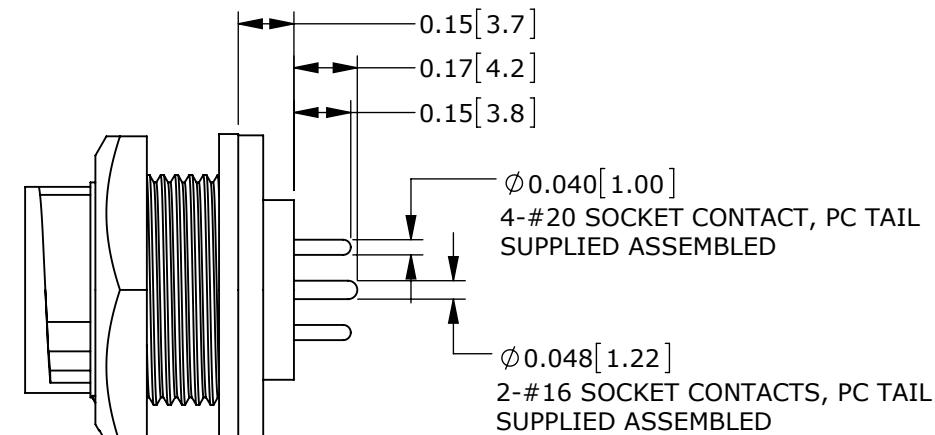
CUSTOMER PRINT

PART NUMBER: W7C8X-6SG-3XX_CD

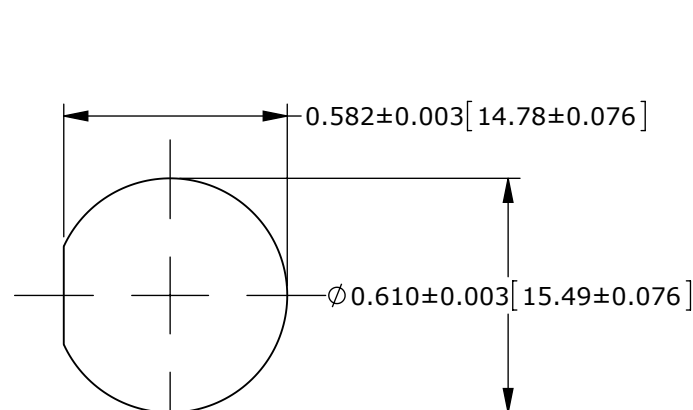
NOTES:
 1. ALL PARTS TO BE BULK PACKED.
 2. SEE DRAWING HPMIMIX FOR HOLE PATTERN.
 3. DIMENSIONS ARE FOR REFERENCE ONLY.



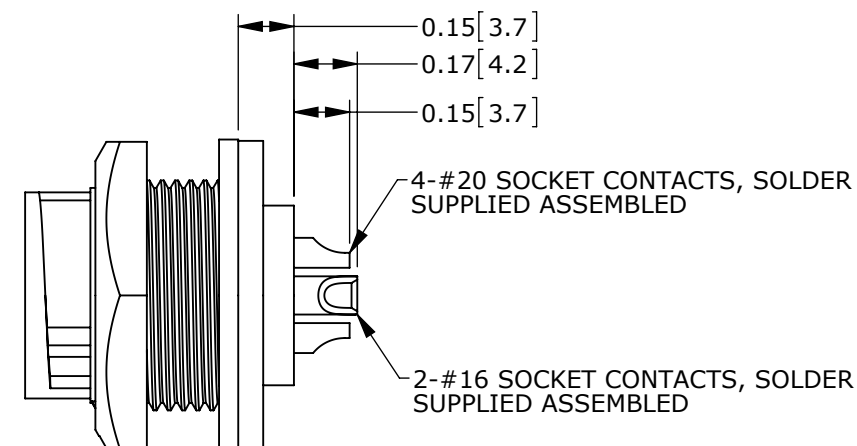
MATING FACE
 ASSY: W7C81-6SG-3ES SHOWN



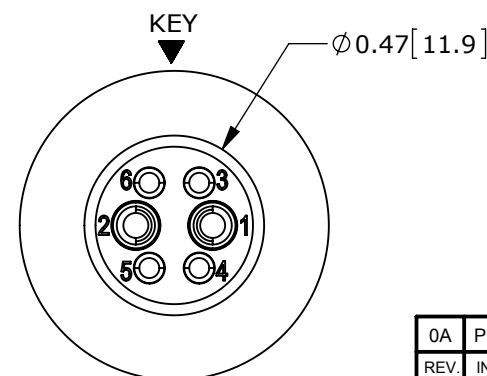
ASSEMBLED VIEW
 ASSY: W7C81-6SG-3ES SHOWN



RECOMMENDED PANEL CUTOUT

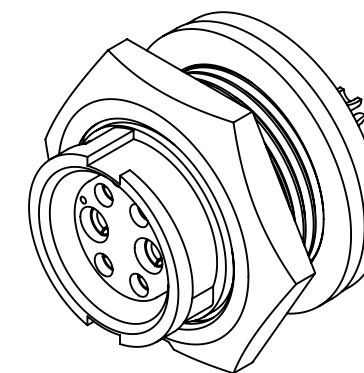


ASSEMBLED VIEW
 ASSY: W7C82-6SG-300 SHOWN



WIRING END
 ASSY: W7C82-6SG-300 SHOWN

CONNECTOR P/N	POSITIONS		CONTACT STYLE	EPOXY
	#16	#20		
W7C80-6SG-300	2	4	CRIMP	(NONE)
W7C81-6SG-300			PC TAIL	(NONE)
W7C81-6SG-3ES			PC TAIL	ES
W7C82-6SG-300			SOLDER	(NONE)
W7C82-6SG-3ES			SOLDER	ES



CUSTOMER APPROVAL

THIS DOCUMENT CONTAINS CONFIDENTIAL INFORMATION PROPRIETARY TO CONXALL CORPORATION. ANY REPRODUCTION, DISCLOSURE, OR USE OF THIS DOCUMENT /INFORMATION IS EXPRESSLY PROHIBITED UNLESS AUTHORIZED IN WRITING BY CONXALL CORPORATION.

APPROVED BY: _____
 DATE: _____

PRELIMINARY

RoHS COMPLIANT

0A	PNK	01-19-15	PDR 14001 PRELIMINARY	
REV.	INIT.	DATE	DESCRIPTION	
	PNK	01-19-15	ORIG. DRAWN BY: _____ DATE: 01-19-15 CHECKED BY: _____ APPROVED BY: _____	
ALL UNITS ARE IN FEET, INCHES, FRACTION OF INCHES AND DECIMALS. UNLESS OTHERWISE SPECIFIED TOLERANCES: 3 PLACE DECIMALS ±.005 ANGLES ±1° FRACTIONS ±1/16 ▽ = CRITICAL CHARACTERISTIC FLAG PER SPEC. XXXX			TITLE: PANEL-MOUNT CONNECTOR 2-16 + 4-20 SOCKET CONTACTS MINI-CON-X POWER/SIGNAL CUSTOMER: STANDARD PRODUCT	
SCALE	SIZE	SHEET	PART NUMBER: W7C8X-6SG-3XX_CD	
NTS	B	1 OF 1	REV 0A	

Mouser Electronics

Authorized Distributor

Click to View Pricing, Inventory, Delivery & Lifecycle Information:

[Switchcraft:](#)

[W7C81-6SG-3ES](#) [W7C82-6SG-3ES](#) [W7C81-6SG-300](#) [W7C80-6SG-300](#) [W7C82-6SG-300](#)