

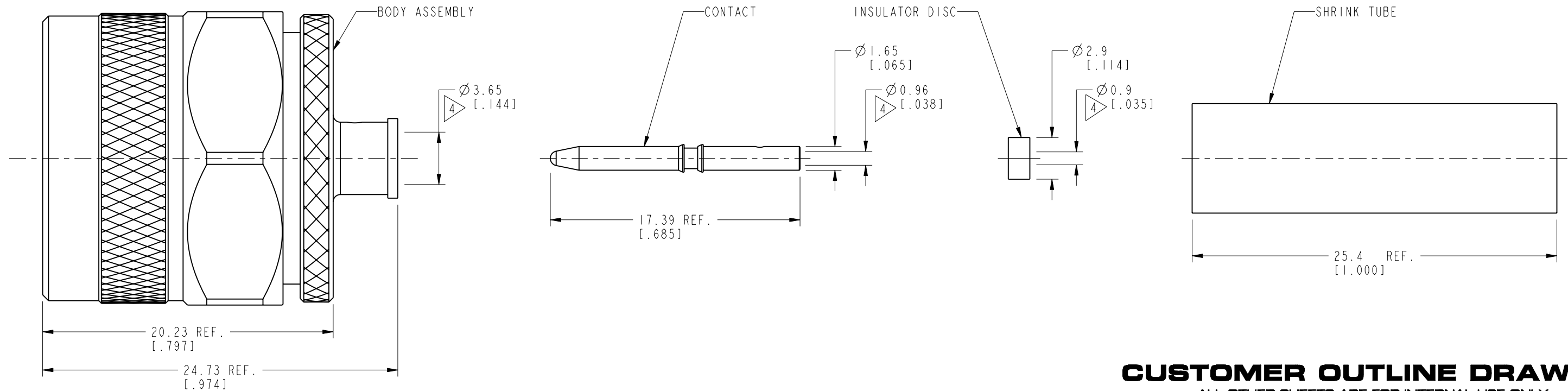
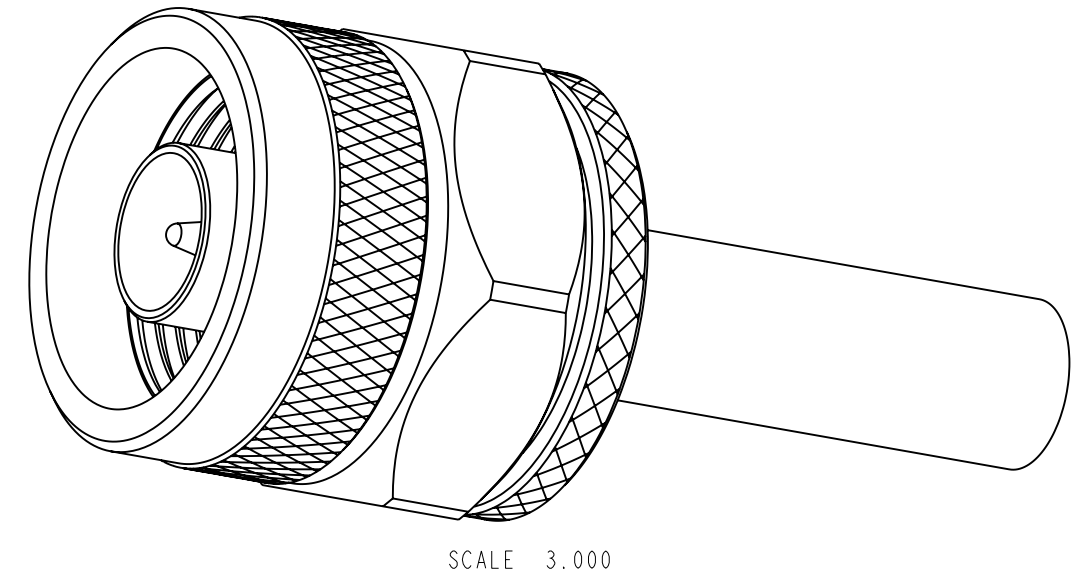
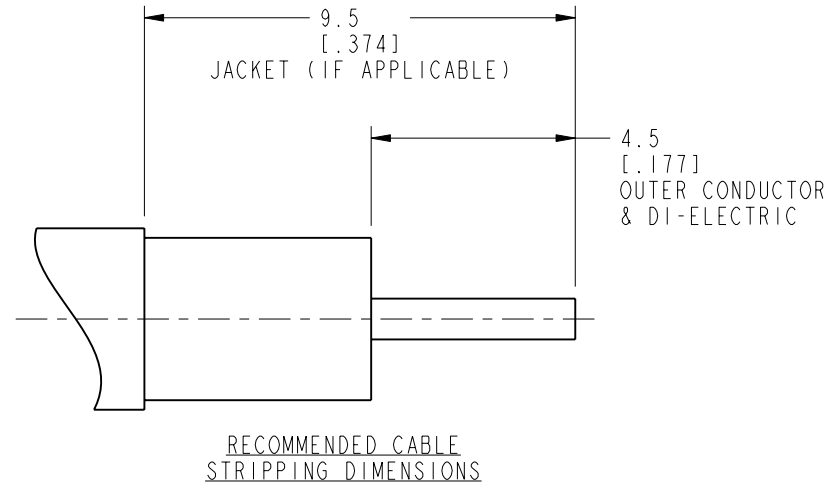
NOTES:

1. MATERIALS AND FINISHES:
 BODY - BRASS, WHITE BRONZE PLATING
 CONTACT - BRASS, SILVER PLATING
 INSULATOR - PTFE, NATURAL
 INSULATOR DISC - PTFE, NATURAL
 GASKET - SILICONE RUBBER, RED
 RETAINING RING - SUS 304, NATURAL
 COUPLING NUT - BRASS, WHITE BRONZE PLATING
2. ELECTRICAL:
 A. IMPEDANCE: 50 OHM
 B. FREQUENCY RANGE: DC - 18 GHz
 C. VSWR: 1.10 MAX. DC - 6 GHz
 1.20 MAX. 6 - 18 GHz
 D. DIELECTRIC WITHSTANDING VOLTAGE: 1000 VRMS, MIN.
 E. INTERMODULATION 3rd ORDER: -166 dBc @2X20W
3. MECHANICAL:
 A. DURABILITY: 500 CYCLES MIN.
 B. TEMPERATURE RANGE: -65° C TO 165° C
4. SHOWS CABLE ENTRY DIMENSIONS
5. PACKAGING:
 A. QUANTITY: SINGLE PACK
 B. MARKING: PACKAGING TO BE MARKED
 "AMPHENOL RF, 82-6673, AND DATE CODE"
6. ASSEMBLY INSTRUCTIONS:
 A. FOR SEMI-RIGID CABLE, THERMALLY CYCLE ACCORDING TO MANUFACTURERS SPECIFICATIONS.
 B. STRIP CABLE AND INSERT THROUGH SHRINK TUBE.
 C. INSERT INSULATOR DISC OVER CENTER CONDUCTOR AND SOLDER CONTACT. ALL COMPONENTS SHOULD BE FLUSH.
 D. PRESS CONTACT AND INSULATOR DISC INTO BODY ASSEMBLY UNTIL INSULATOR DISC BOTTOMS.
 E. SOLDER BODY ONTO CABLE. 250 WATT SOLDERING IRON RECOMMENDED. USE OF FLUX RECOMMENDED.

THIRD ANGLE PROJ.

REVISIONS

REV	DESCRIPTION	DATE	ECN	APPR
A	RELEASE TO MANUFACTURING	04-Mar-19	10742	CJV



CUSTOMER OUTLINE DRAWING
 ALL OTHER SHEETS ARE FOR INTERNAL USE ONLY

UNLESS OTHERWISE SPECIFIED, DIMENSIONS ARE IN METRIC AND TOLERANCES ARE: <0.5mm ±0.05mm 0.5 - 6mm ±0.1mm 6 - 30mm ±0.2mm 30 - 120mm ±0.3mm ANGLES ±1°	MATERIAL	DRAWN	DATE	TITLE 18 GHz TYPE N PLUG FOR .141" SEMI-RIGID & CONFORMABLE	Amphenol RF www.amphenolrf.com
	SEE NOTES	M. ZHANG	28-Nov-18		
NOTICE - These drawings, specifications, or other data (1) are, and remain the property of Amphenol corp. (2) must be returned upon request; and (3) are confidential and not to be disclosed to any person other than those to whom they are given by Amphenol Corp. the furnishing of these drawings, specifications, or other data by Amphenol Corp., or to any other person to anyone for any purpose is not to be regarded by implication or otherwise in any manner licensing, granting rights to permitting such holder or any other person to manufacture, use or sell any product, process or design, patented or otherwise, that may in any way be related to or disclosed by said drawings, specifications, or other data.	REFERENCE	ENGINEER	DATE	SCALE: 3.5:1.0 SHEET 2 OF 2 DWG SIZE B REV A	DRAWING NO. 82-6673
	EAR# 8591	C. VIGORITO	28-Nov-18		ITEM NO. 82-6673
	REF: ---	APPROVED	S. HSIEH	DATE	PART NO. 82-6673
CONFIGURATION LEVEL: In Work	CAD FILE		08-Mar-19		
FINISH					