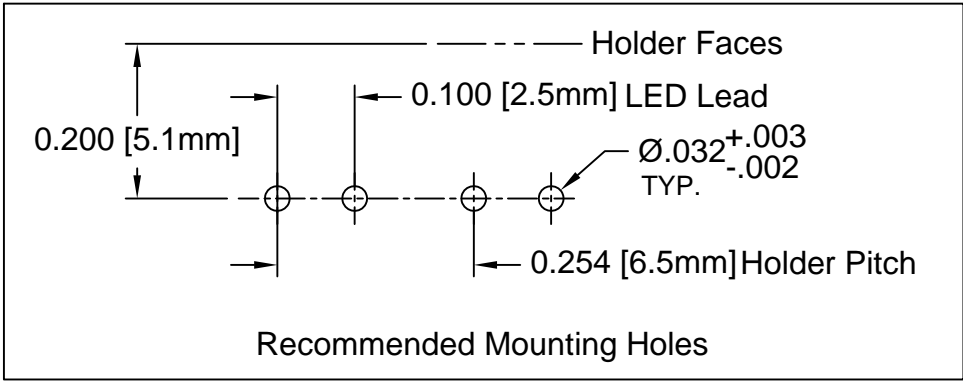
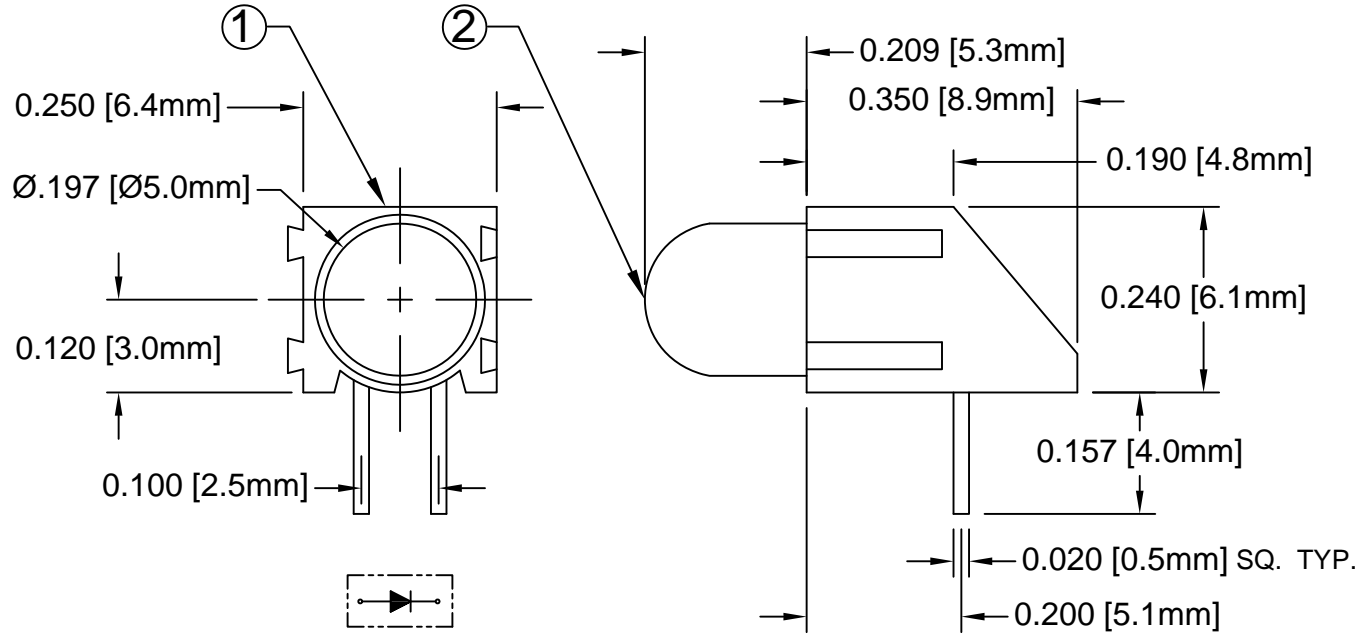


ITEM	Q'TY	PART NUMBER	PART DESCRIPTION
1	1	H-175C-2	T-1¼ (5mm) LED Holder, 90° Mount, Interlocking
2	1	5XX	T-1¼ (5mm) Non-Flange LED, See Page 2

REV.	DESCRIPTION	DATE	APPROVED
A	Engineering Update w/o Changes	03/05/04	M. C.
B	Corrected LED Protrusion and Holder PN#	01/18/07	M. C.
C	Updated LED Protrusion	08/05/09	T. Y.
D	Engineering Update w/o Changes	06/20/16	J. C.




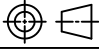
ABSOLUTE MAXIMUM RATINGS (Ta=25° C)

REVERSE VOLTAGE	_____	5V
REVERSE CURRENT	_____	100uA
OPERATING TEMPERATURE RANGE	_____	-25° C - 85° C
STORAGE TEMPERATURE	_____	-30° C - 100° C
LEAD SOLDERING TEMPERATURE(1/16" FROM BODY)	_____	260° C FOR 5 SECONDS

STANDARD TOLERANCE (UNLESS OTHERWISE SPECIFIED)		 4 THOMAS, IRVINE, CA. 92618 TEL: (949) 951-8808 FAX: (949) 951-3974	
DECIMALS	ANGULAR		
.X ± .1	X° ± 1°		
.XX ± .02		TITLE: T-1¼ (5MM) INTERLOCKING 90° SINGLE-LEVEL LED ASSY	
.XXX ± .010		PART NO: H175CXX	
DESIGNED: T. Yin	DATE: 03/05/04	REVISION: D	
CHECKED: D. Green	DATE: 03/05/04	CAGE CODE : 32559 SHEET # 1 OF 2	
CAD GENERATED DOCUMENT. DO NOT MEASURE DRAWING.			

REV.	DESCRIPTION	DATE	APPROVED
	SEE SHEET #1		

LED Assy. No.	Peak Wave Length λ_p (nm)	Emitted Color	Lens Appearance	Electro-Optical Data				Viewing Angle $2\theta \frac{1}{2}$ (Deg)	LED P/N
				If (mA)	Vf (V)		Iv (mcd)		
				TYP	TYP	MAX	TYP		
STANDARD				Data @ 20mA					
H175CBWD	430	BLUE	DIFFUSED	20	4.0	4.5	15	45	5BWD
H175CGD	568	GREEN	DIFFUSED	20	2.1	2.8	25	45	5GD
H175CPGD	555	PURE GREEN	DIFFUSED	20	2.2	2.8	10	45	5PGD
H175CYD	590	YELLOW	DIFFUSED	20	2.0	2.8	25	45	5YD
H175CHD	625	HE RED	DIFFUSED	20	2.0	2.8	25	45	5HD
H175CRD	700	RED	DIFFUSED	20	2.1	2.8	2	45	5RD
H175CSR	645	SUPER RED	DIFFUSED	20	1.7	2.4	40	45	5SRD
LOW CURRENT				Data @ 2mA					
H175CGDL	568	GREEN	DIFFUSED	2	2.1	2.6	5	45	5GDL
H175CYDL	590	YELLOW	DIFFUSED	2	2.0	2.6	4	45	5YDL
H175CHDL	625	HE RED	DIFFUSED	2	2.0	2.6	5	45	5HDL
5 VOLT				Data @ 5V					
H175CGD5V	568	GREEN	DIFFUSED	10	-	5.0	25	45	5GD5V
H175CYD5V	590	YELLOW	DIFFUSED	10	-	5.0	20	45	5YD5V
H175CHD5V	625	HE RED	DIFFUSED	10	-	5.0	25	45	5HD5V

STANDARD TOLERANCE (UNLESS OTHERWISE SPECIFIED) $\pm 10\%$ ALL VALUES ANGULAR		 4 THOMAS, IRVINE, CA. 92618 TEL: (949) 951-8808 FAX: (949) 951-3974		
				TITLE: T-1 $\frac{3}{4}$ (5MM) INTERLOCKING 90° SINGLE-LEVEL LED ASSY
DESIGNED: T. Yin	DATE: 03/05/04	PART NO: H175CXX		REVISION: D
CHECKED: M. Chen	DATE: 03/05/04	CAGE CODE : 32559		SHEET # 2 OF 2
CAD GENERATED DOCUMENT. DO NOT MEASURE DRAWING.				