



SY58021U

4GHz, 1:4 LVPECL Fanout
Buffer/Translator with Internal Termination
Precision Edge®

General Description

The SY58021U is a 2.5V/3.3V precision, high-speed, fully differential 1:4 LVPECL fanout buffer. Optimized to provide four identical output copies with less than 15ps output skew and only 70 fs_{RMS} phase jitter, the SY58021U can process clock signals as fast as 4GHz.

The differential input includes Micrel's unique, 3-pin input termination architecture interfaces to differential LVPECL, CML, and LVDS signals (AC- or DC-coupled) as small as 100mV without any level-shifting or termination resistor networks in the signal path. For AC-coupled input interface applications, an on-board output reference voltage (V_{REFAC}) is provided to bias the VT pin. The outputs are 100k LVPECL compatible, with extremely fast rise/fall times guaranteed to be less than 100ps.

The SY58021U operates from a 2.5V $\pm 5\%$ supply or 3.3V $\pm 10\%$ supply and is guaranteed over the full industrial temperature range (-40°C to $+85^{\circ}\text{C}$). For applications that require faster rise/fall times, or greater bandwidth, consider the SY58022U 1:4 fanout buffer with 400mV LVPECL output swing, or the SY58020U 1:4 CML fanout buffer. The SY58021U is part of Micrel's high-speed, Precision Edge® product line.

Data sheets and support documentation can be found on Micrel's web site at www.micrel.com.



Precision Edge®

Features

- Precision 1:4 LVPECL fanout buffer
- Guaranteed AC performance-over-temperature/voltage:
 - $>4\text{GHz } f_{\text{MAX}}$ (clock)
 - $<100\text{ps } t_r/t_f$ times
 - $<300\text{ps } t_{\text{PD}}$
 - $<15\text{ps}$ maximum skew
- Low jitter performance:
 - 70fs_{RMS} phase jitter (typical)
- Accepts an input signal as low as 100mV
- Unique input termination and VT pin accepts DC-coupled and AC-coupled differential inputs: LVPECL, LVDS, and CML
- 100k LVPECL-compatible 800mV swing output
- Power supply 2.5V $\pm 5\%$ and 3.3V $\pm 10\%$
- -40°C to $+85^{\circ}\text{C}$ temperature range
- Available in 16-pin (3mm \times 3mm) QFN package

Applications

- All SONET and GigE clock distribution
- Fibre Channel clock and data distribution
- Backplane distribution
- High-end, low-skew, multiprocessor, synchronous clock distribution

Precision Edge is a registered trademark of Micrel, Inc.

Micrel Inc. • 2180 Fortune Drive • San Jose, CA 95131 • USA • tel +1 (408) 944-0800 • fax + 1 (408) 474-1000 • <http://www.micrel.com>

August 2010

M9999-080510-A
hbwhelp@micrel.com or (408) 955-1690

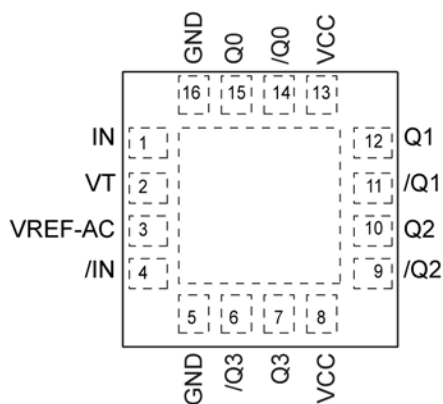
Ordering Information⁽¹⁾

Part Number	Package Type	Operating Range	Package Marking	Lead Finish
SY58021UMI	QFN-16	Industrial	021U	Sn-Pb
SY58021UMITR ⁽²⁾	QFN-16	Industrial	021U	Sn-Pb
SY58021UMG ⁽³⁾	QFN-16	Industrial	021U with Pb-Free bar-line indicator	Pb-Free NiPdAu
SY58021UMGTR ^(2, 3)	QFN-16	Industrial	021U with Pb-Free bar-line indicator	Pb-Free NiPdAu

Notes:

1. Contact factory for die availability. Dice are guaranteed at T_A = 25°C, DC electrical only.
2. Tape and Reel.
3. Pb-Free package recommended for new designs.

Pin Configuration



16-Pin QFN

Pin Description

Pin Number	Pin Name	Pin Function
1, 4	IN, /IN	Differential Input: This input pair receives the signal to be buffered. Each pin of this pair internally terminates with 50Ω to the VT pin. Note that this input will default to an indeterminate state if left open. See "Input Interface Applications" section.
2	VT	Input Termination Center-Tap: Each input terminates to this pin. The VT pin provides a center-tap for each input (IN, /IN) to the termination network for maximum interface flexibility. See "Input Interface Applications" section.
3	VREF-AC	Reference Output Voltage: This output biases to VCC -1.2V. It is used when AC-coupling to differential inputs. Connect VREF-AC directly to the VT pin. Bypass with 0.01μF low ESR capacitor to VCC. See "Input Interface Applications" section.
8, 13	VCC	Positive Power Supply: Bypass with 0.1μF//0.01μF low ESR capacitors as close to the VCC pins as possible.
5, 16	GND, Exposed Pad	Ground. Exposed pad must be connected to a ground plane that is the same potential as the ground pin.
14, 15, 11, 12, 9, 10, 6, 7	/Q0, Q0, /Q1, Q1, /Q2, Q2, /Q3, Q3	LVPECL Differential Output Pairs: Differential buffered output copy of the input signal. The output swing is typically 800mV. Proper termination is 50Ω to VCC-2V at the receiving end. Unused output pairs may be left floating with no impact on jitter or skew. See "LVPECL Output Termination" section.

Absolute Maximum Ratings⁽¹⁾

Power Supply Voltage (V_{CC})	-0.5V to +4.0V
Input Voltage (V_{IN})	-0.5V to V_{CC}
LVPECL Output Current (I_{OUT})	
Continuous	50mA
Surge	100mA
Source or Sink Current on VT Pin	
V_T Current	± 100 mA
Source or Sink Current on IN, /IN	
Input Current	± 50 mA
Source or Sink Current on V_{REF-AC} ⁽⁴⁾	
V_{REF} Current	± 1.5 mA
Soldering (20s)	260°C
Storage Temperature (T_s)	-65°C to +150°C

Operating Ratings⁽²⁾

Power Supply Voltage (V_{CC})	+2.375V to +3.60V
Operating Temperature Range (T_A)	-40°C to +85°C
Package Thermal Resistance	
QFN (θ_{JA})	
Still-Air	+60°C/W
500 lpfm	+54°C/W
QFN (ψ_{JB})	
Junction-to-Board Resistance ⁽³⁾	+33°C/W

Input DC Electrical Characteristics⁽⁵⁾

$T_A = -40^\circ\text{C}$ to $+85^\circ\text{C}$.

Symbol	Parameter	Condition	Min.	Typ.	Max.	Units
V_{CC}	Power Supply Voltage	$V_{CC} = 2.5\text{V}$	2.375	2.5	2.625	V
		$V_{CC} = 3.3\text{V}$	3.0	3.3	3.60	
I_{CC}	Power Supply Current	No load, $V_{CC} = \text{maximum}$		125	160	mA
V_{IH}	Input HIGH Voltage	IN, /IN (Note 6)	$V_{CC} - 1.6$		V_{CC}	V
V_{IL}	Input LOW Voltage	IN, /IN	0		$V_{IH} - 0.1$	V
V_{IN}	Input Voltage Swing	IN, /IN (see Figure 1a)	0.1		1.7	V
V_{DIFF_IN}	Differential Input Voltage Swing	IN, /IN (see Figure 1b)	0.2			V
R_{IN}	IN-to- V_T Resistance		40	50	60	Ω
V_{T_IN}	IN-to- V_T Voltage				1.28	V
V_{REF-AC}	Output Reference Voltage		$V_{CC} - 1.30$	$V_{CC} - 1.2$	$V_{CC} - 1.1$	V

Notes:

1. Permanent device damage may occur if ratings in the "Absolute Maximum Ratings" section are exceeded. This is a stress rating only and functional operation is not implied for conditions other than those detailed in the operational sections of this data sheet. Exposure to absolute maximum ratings conditions for extended periods may affect device reliability.
2. The data sheet limits are not guaranteed if the device is operated beyond the operating ratings.
3. Thermal performance assumes exposed pad is soldered (or equivalent) to the device's most negative potential on the PCB.
4. Due to the limited drive capability, use for input of the same package only.
5. The circuit is designed to meet the DC specifications shown in the above table after thermal equilibrium has been established.
6. V_{IH} (minimum) not lower than 1.2V.

LVPECL Output DC Electrical Characteristics⁽⁵⁾

$V_{CC} = 3.3V \pm 10\%$ or $2.5 \pm 5\%$; $R_L = 50\Omega$ to $V_{CC} - 2V$; $T_A = -40^\circ C$ to $+85^\circ C$, unless otherwise stated.

Symbol	Parameter	Condition	Min.	Typ.	Max.	Units
V_{OH}	Output HIGH Voltage		$V_{CC} - 1.145$		$V_{CC} - 0.895$	V
V_{OL}	Output LOW Voltage		$V_{CC} - 1.945$		$V_{CC} - 1.695$	V
V_{OUT}	Output Voltage Differential Swing	(see Figure 1a)	550	780	1050	mV
V_{DIFF_OUT}	Differential Output Voltage Swing	(see Figure 1b)	1100	1560	2100	mV

AC Electrical Characteristics

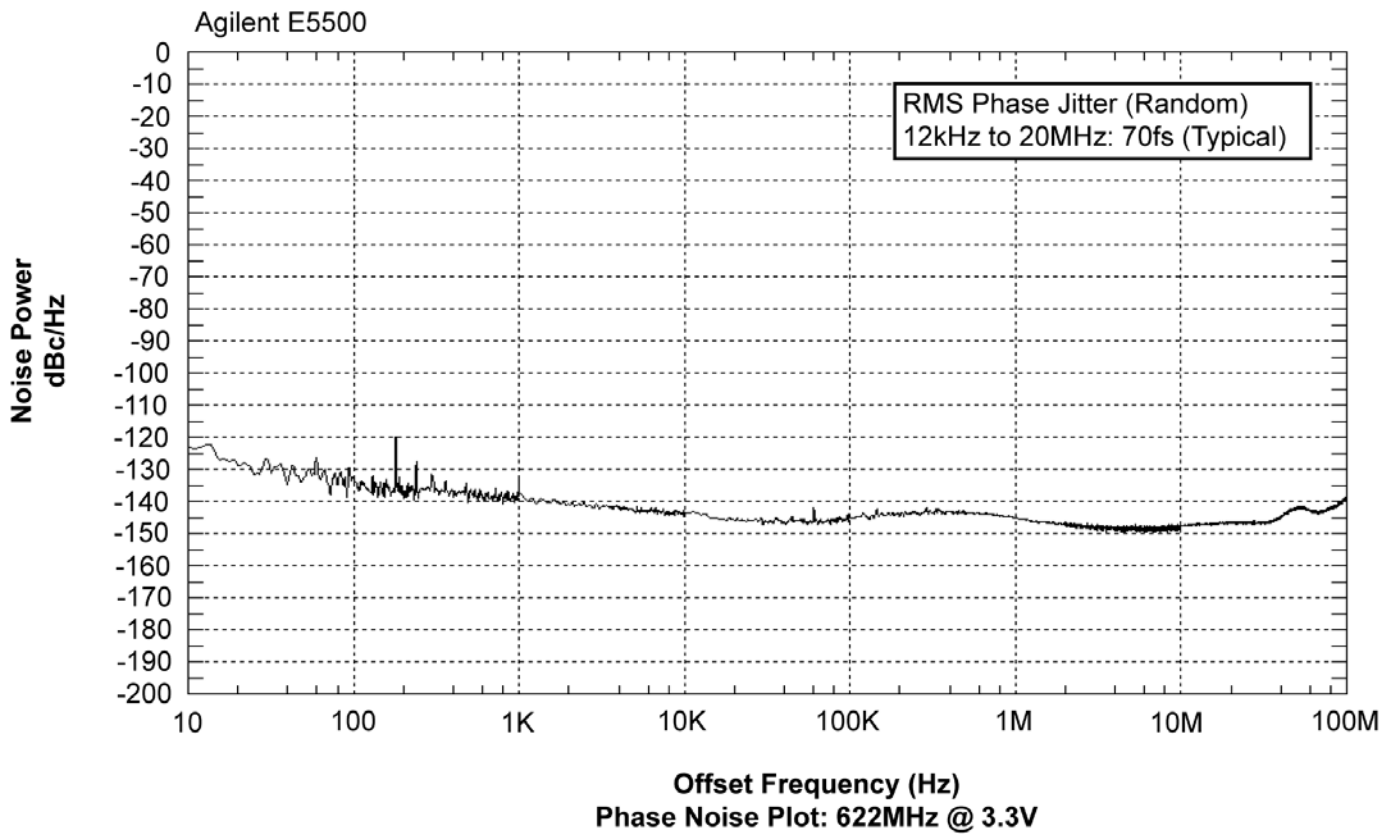
$V_{CC} = 2.5V \pm 5\%$ or $3.3 \pm 10\%$; $R_L = 50\Omega$ to $V_{CC} - 2V$; $T_A = -40^\circ C$ to $+85^\circ C$, unless otherwise stated.

Symbol	Parameter	Condition	Min.	Typ.	Max.	Units
f_{MAX}	Maximum Operating Frequency	$V_{OUT} \geq 400mV$ Clock NRZ Data	4			GHz
				5		Gbps
t_{PD}	Propagation Delay		150	220	300	ps
t_{CHAN}	Channel-to-Channel Skew	Note 7		4	15	ps
t_{SKEW}	Part-to-Part Skew	Note 8			50	ps
t_{JITTER}	RMS Phase Jitter	Output: 622MHz Integration Range: 12kHz – 20MHz		70		fs
t_r, t_f	Output Rise/Fall Time (20% to 80%)	At full swing	35	75	110	ps

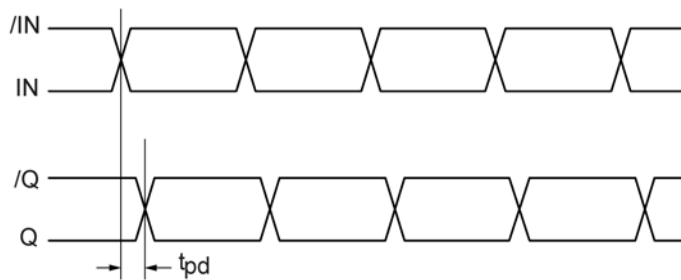
Notes:

- Skew is measured between outputs of the same bank under identical transitions.
- Skew is defined for two parts with identical power supply voltages at the same temperature and with no skew of the edges at the respective inputs.

Phase Noise Graph



Timing Diagram



Single-Ended and Differential Swings

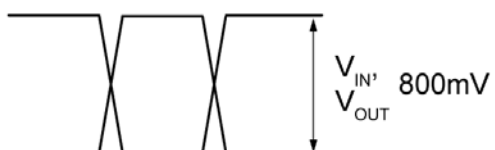


Figure 1a. Single-Ended Voltage Swing

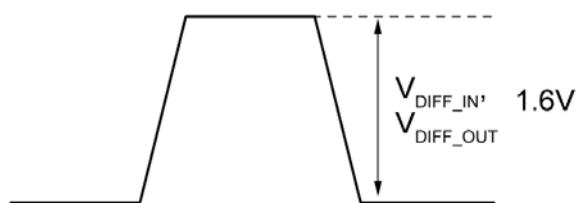
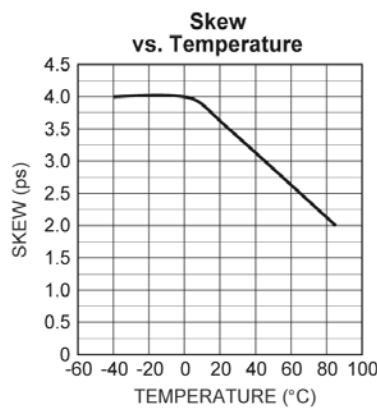
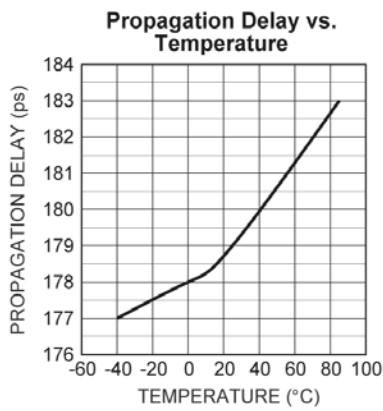
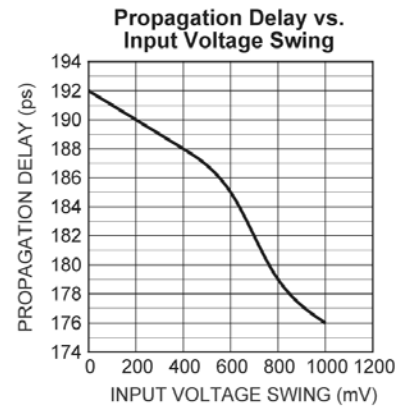
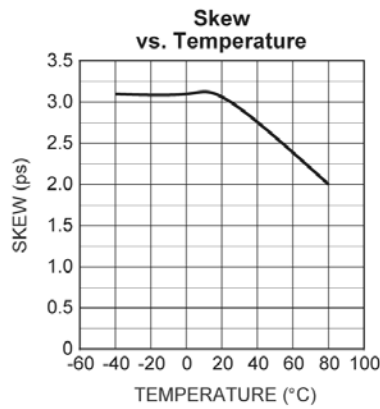
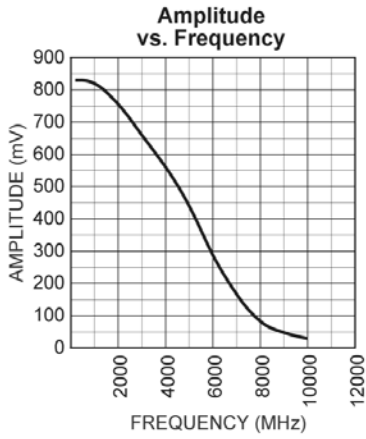


Figure 1b. Differential Voltage Swing

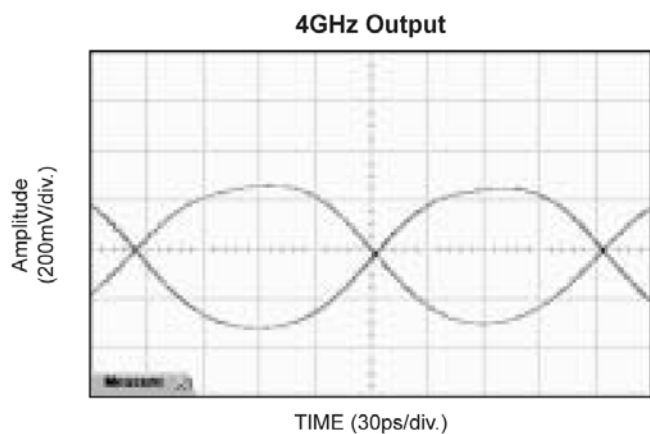
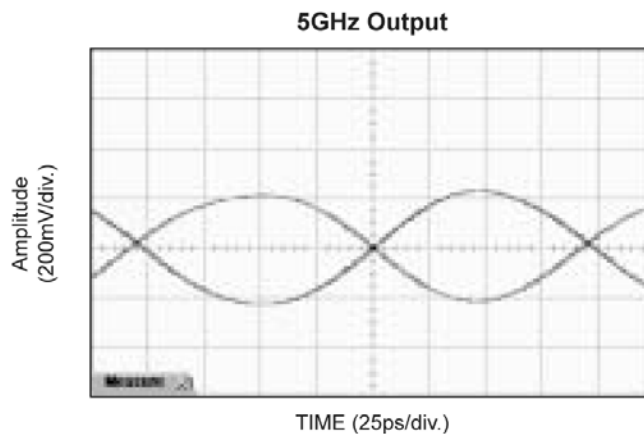
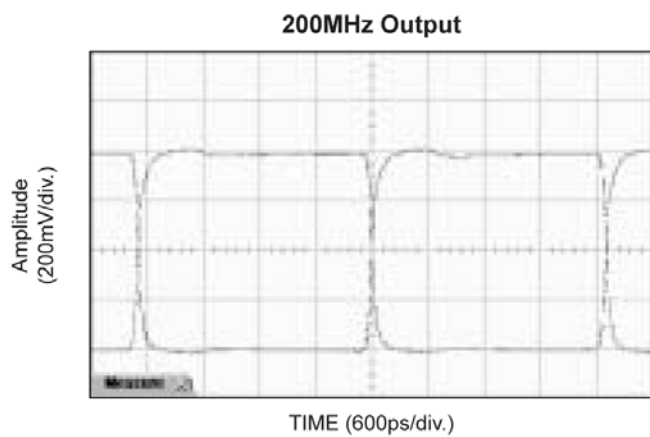
Typical Characteristics

$V_{CC} = 2.5V$, $GND = 0$, $V_{IN} = 100mV$, $T_A = 25^\circ C$, unless otherwise stated.



Functional Characteristics

$V_{CC} = 2.5V$, $GND = 0$, $V_{IN} = 100mV$, $T_A = 25^\circ C$, unless otherwise stated.



Input Stage

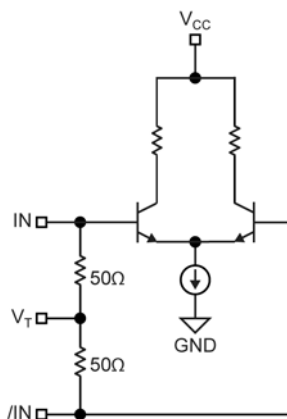
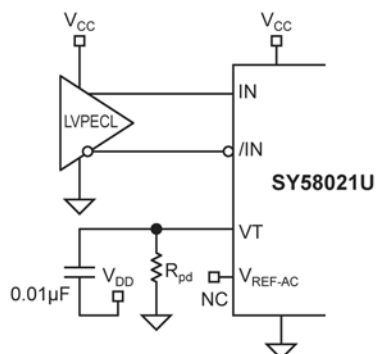


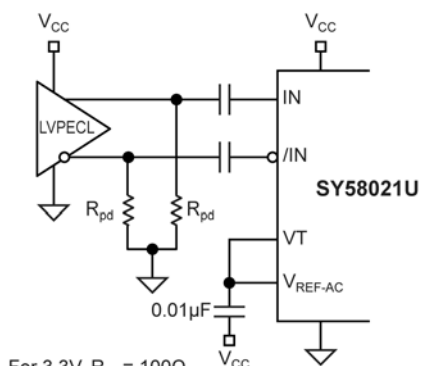
Figure 2. Simplified Differential Input Buffer

Input Interface Applications



For $V_{CC} = 2.5V$, $R_{pd} = 19\Omega$
 For $V_{CC} = 3.3V$, $R_{pd} = 50\Omega$

Figure 3a. LVPECL Input Interface



For 3.3V, $R_{pd} = 100\Omega$
 For 2.5V, $R_{pd} = 50\Omega$

Figure 3b. AC-Coupled LVPECL Input Interface

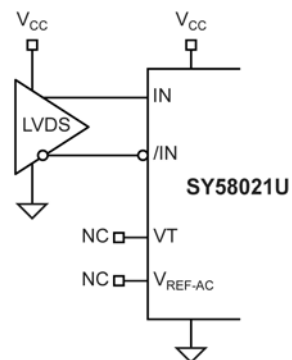
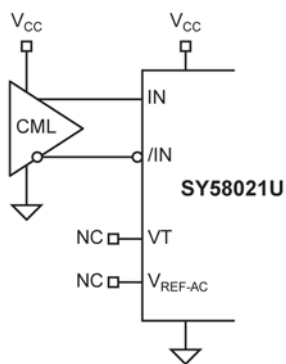


Figure 3c. LVDS Input Interface



Option: May connect V_T to V_{CC}

Figure 3d. DC-Coupled CML Input Interface

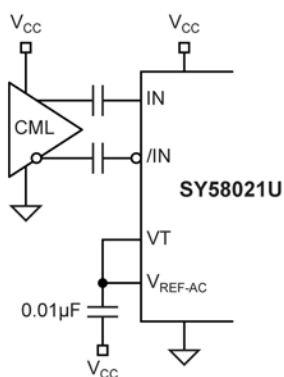
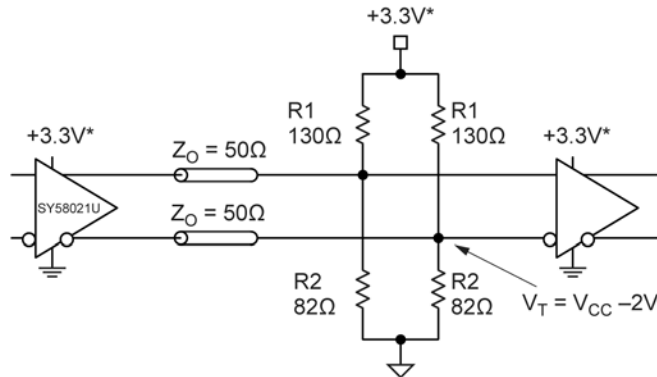


Figure 3e. AC-Coupled CML Input Interface

LVPECL Output

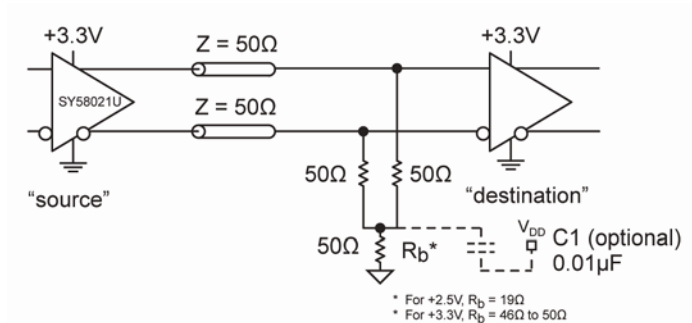
LVPECL outputs have very-low output impedance (open emitter), and small signal swing which results in low EMI. LVPECL is ideal for driving 50Ω- and 100Ω-controlled impedance transmission lines. There are several techniques in terminating the LVPECL output (Figures 4 through 6).



Note:

1. For +2.5V systems, R1 = 250Ω, R2 = 62.5Ω.

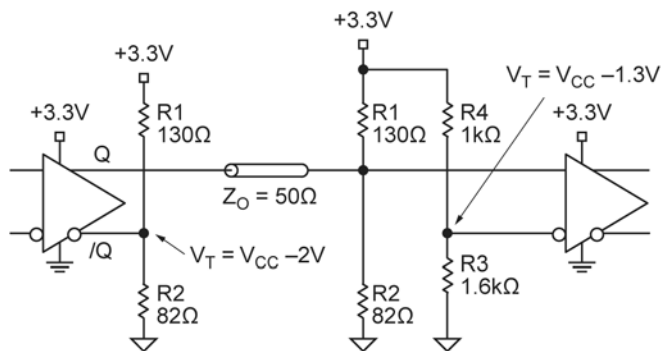
Figure 4. Parallel Termination-Thevenin Equivalent



Notes:

1. Power-saving alternative to Thevenin termination.
2. Place termination resistors as close to destination inputs as possible.
3. R_b resistor sets the DC bias voltage, equal to V_T.

Figure 5. Parallel Termination (3-Resistor)



Notes:

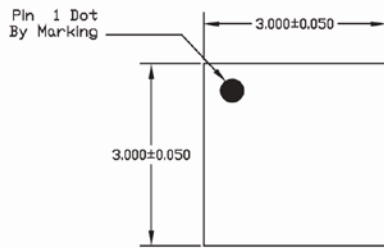
1. Unused output (/Q) must be terminated to balance the output.
2. For +2.5V systems: R1 = 250, R2 = 62.5, R3 = 1.25k, R4 = 1.2k
For +3.3V systems: R1 = 130, R2 = 82, R3 = 1k, R4 = 1.6k
3. Unused output pairs (Q and /Q) may be left floating.

Figure 6. Terminating Unused I/O

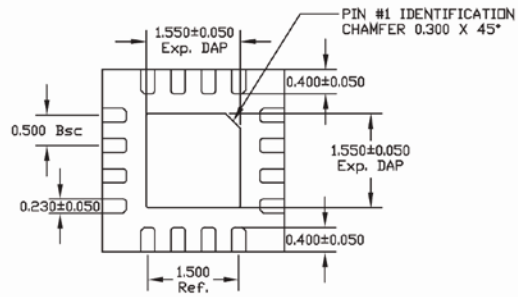
Related Micrel Products and Support Documentation

Part Number	Function	Data Sheet Link
SY58020U	6GHz, 1:4 CML Fanout Buffer/Translator with Internal I/O Terminations	www.micrel.com/product-info/products/sy58020u.shtml
SY58021U	4GHz, 1:4 LVPECL Fanout Buffer/Translator with Internal Termination	www.micrel.com/product-info/products/sy58021u.shtml
SY58022U	5.5GHz, 1:4 Fanout Buffer/Translator with 400mV LVPECL Outputs and Internal Terminations	www.micrel.com/product-info/products/sy58022u.shtml
M-0317	HBW Solutions	www.micrel.com/product-info/as/solutions.shtml

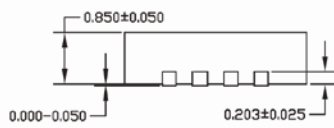
Package Information



TOP VIEW



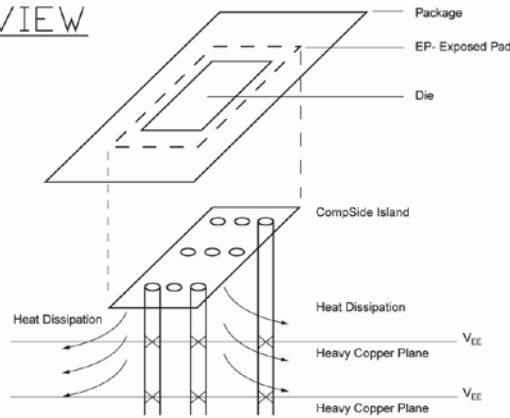
BOTTOM VIEW



SIDE VIEW

NOTE:

1. ALL DIMENSIONS ARE IN MILLIMETERS.
2. MAX. PACKAGE WARPAGE IS 0.05 mm.
3. MAXIMUM ALLOWABLE BURRS IS 0.076 mm IN ALL DIRECTIONS.
4. PIN #1 ID ON TOP WILL BE LASER/INK MARKED.



**PCB Thermal Consideration for 16-Pin MLF™ Package
(Always solder, or equivalent, the exposed pad to the PCB)**

Package Notes:

1. Package meets Level 2 qualification.
2. All parts are dry-packaged before shipment.
3. Exposed pads must be soldered to a ground for proper thermal management.

16-Pin QFN

MICREL, INC. 2180 FORTUNE DRIVE SAN JOSE, CA 95131 USA
 TEL +1 (408) 944-0800 FAX +1 (408) 474-1000 WEB <http://www.micrel.com>

The information furnished by Micrel in this data sheet is believed to be accurate and reliable. However, no responsibility is assumed by Micrel for its use. Micrel reserves the right to change circuitry and specifications at any time without notification to the customer.

Micrel Products are not designed or authorized for use as components in life support appliances, devices or systems where malfunction of a product can reasonably be expected to result in personal injury. Life support devices or systems are devices or systems that (a) are intended for surgical implant into the body or (b) support or sustain life, and whose failure to perform can be reasonably expected to result in a significant injury to the user. A Purchaser's use or sale of Micrel Products for use in life support appliances, devices or systems is a Purchaser's own risk and Purchaser agrees to fully indemnify Micrel for any damages resulting from such use or sale.

© 2005 Micrel, Incorporated.