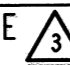
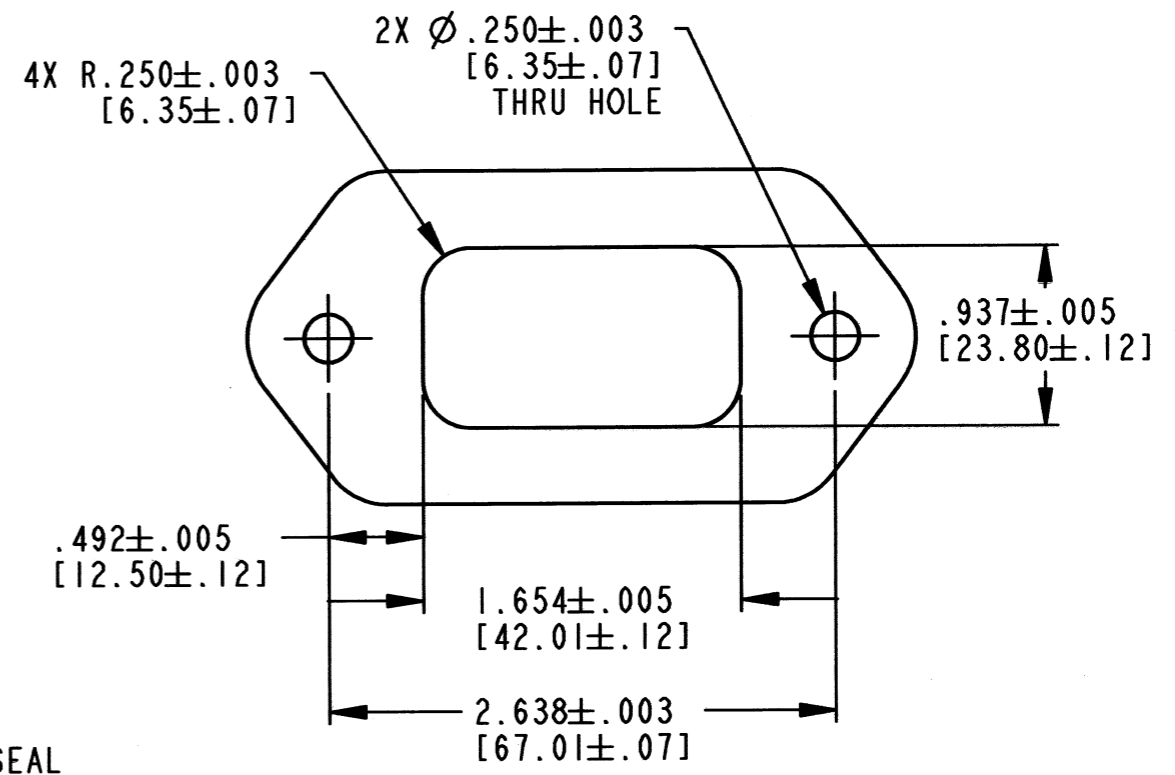
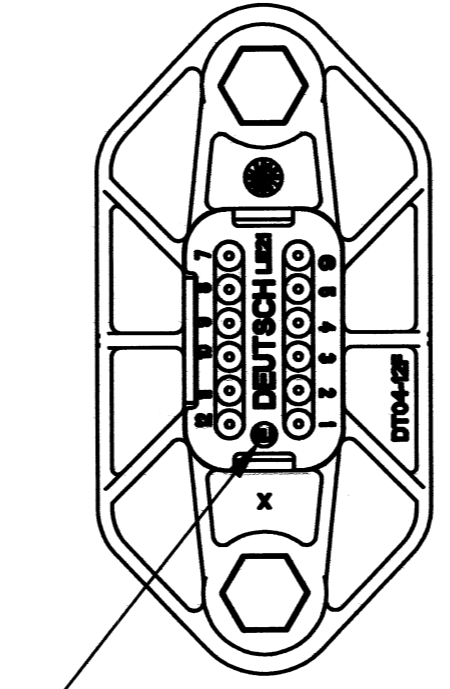
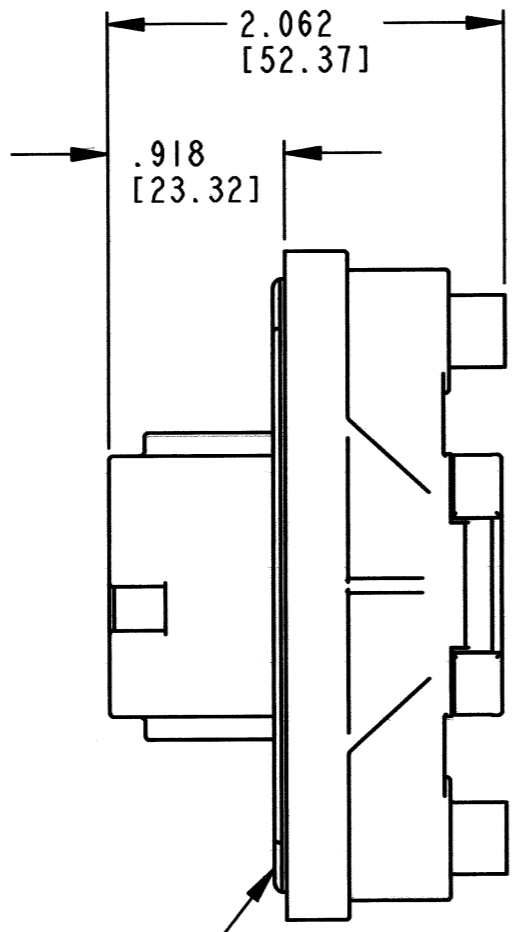
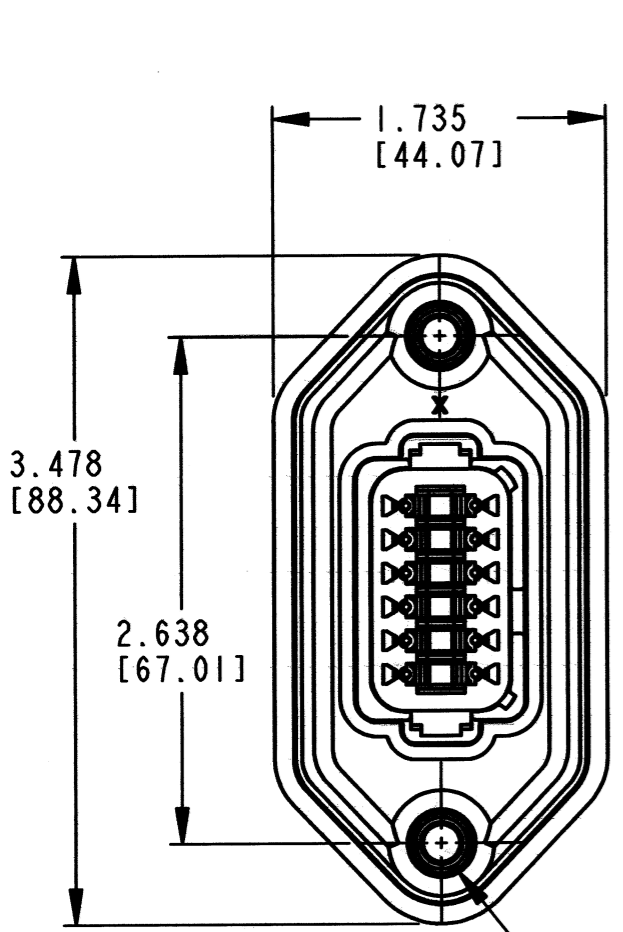


CONTACT SIZE	MIN. INSUL. O.D.	MAX. INSUL. O.D.	WIRE RANGE [mm ²] REF ONLY 
16	.053 [1.35]	.120 [3.05]	14-20 AWG [2.0-0.5]

REV A DT04-12P*-LE21

REVISIONS			
SYM	DESCRIPTION	DATE	APPROVED
NC	NEW RELEASE PER E.O. P20026	11/14/08	R.D.R.
A	REVISED PER E.O. P21293	2-8-12	RNR




THREADED INSERT
M6 X .500 DEEP
2X

GASKET

-E- SYMBOL DESIGNATES
REDUCED DIAMETER WIRE SEAL

RECOMMENDED PANEL-CUTOUT


- 5. MATERIAL: SHELL: PLASTIC; SEAL & GASKET: RUBBER; INSERT: STAINLESS STEEL.
- 4. THIS RECEPTACLE MATES WITH DT06-12S*-**** PLUG. (* = KEY ARR; **** = ALL MODIFICATIONS) CONSULT FACTORY FOR MODIFICATIONS.
-  FOR CONTACTS AND WIRE PERFORMANCE AND APPLICATION CHARACTERISTICS, SEE ENVELOPE DRAWINGS 0425-015-0000 AND 0425-017-0000.
- 2. DIMENSIONS ARE ±.025 [0.64] UNLESS OTHERWISE SPECIFIED.

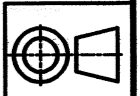
NOTES: 1. DIMENSIONS ARE IN INCHES [MILLIMETERS].

SIGNATURE & DATE	
DR	R. MESSENGER 10/16/08
CHK	<i>S. Beaulieu</i> 2/9/2012
PE	R. messenger 2/6/12
APPD	<i>S. Beaulieu</i> 2/9/12
SCALE	NONE
WT	

12 WAY RECEPTACLE
ENHANCED KEY
FLANGE
DT SERIES

ENVELOPE

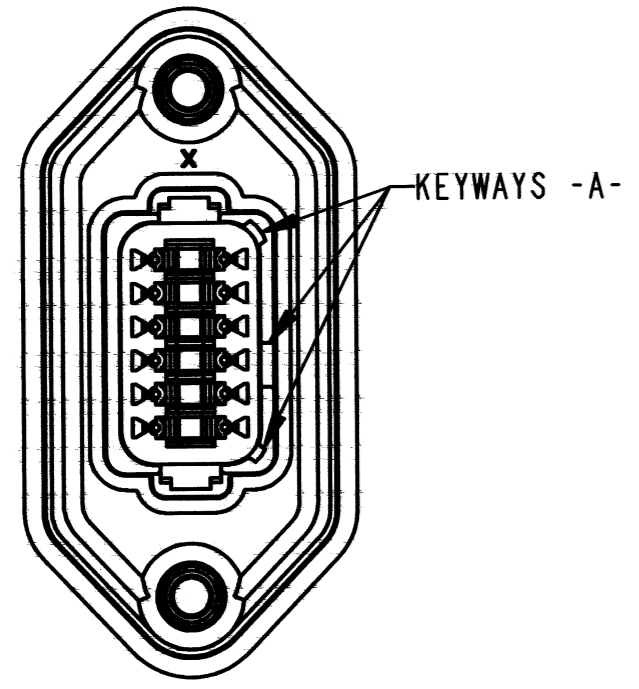
EP	MATL. CODE
 3850 INDUSTRIAL AVE. HEMET, CA 92545 DEUTSCH INDUSTRIAL	
B DT04-12P*-LE21	
DWG SIZE	CODE 11139 SHEET 1 OF 2



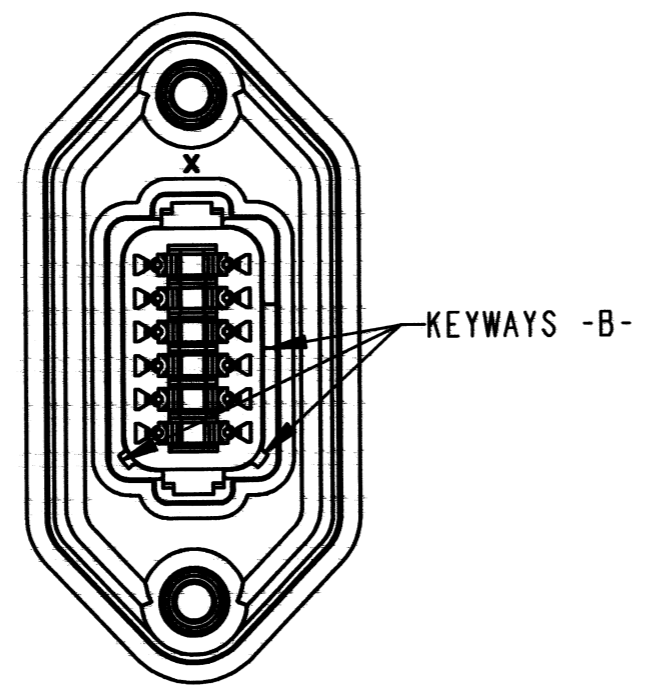
REV
A DT04-12P*-LE21

REVISIONS			
SYM	DESCRIPTION	DATE	APPROVED
A	SEE SHEET 1	2-8-12	RDR

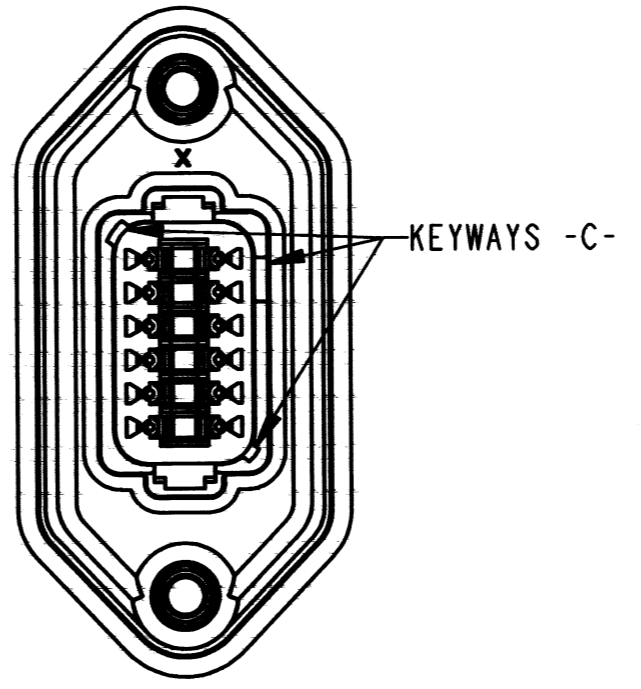
DT04-12PA-LE21
KEY ARR. -A-
COLOR: GRAY



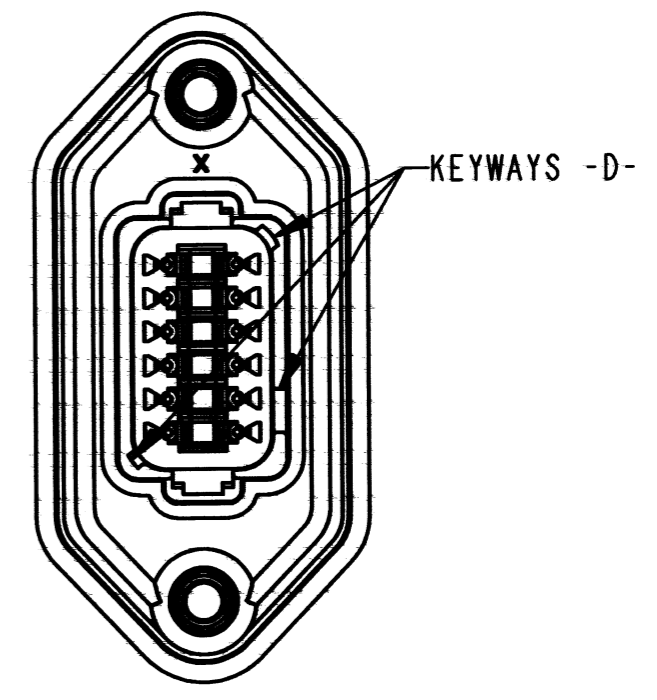
DT04-12PB-LE21
KEY ARR. -B-
COLOR: BLACK



DT04-12PC-LE21
KEY ARR. -C-
COLOR: GREEN



DT04-12PD-LE21
KEY ARR. -D-
COLOR: BROWN




NOTES:

SIGNATURE & DATE	
DR	R. MESSENGER 10/16/08
CHK	B. Byford 2/9/2012
PE	R. Wray 2/8/12
APPD	S. Bauer 2/9/12
SCALE	NONE WT

12 WAY RECEPTACLE
ENHANCED KEY
FLANGE
DT SERIES

ENVELOPE

EP	MATL. CODE
 3850 INDUSTRIAL AVE. HEMET, CA 92545	
B DT04-12P*-LE21	
DWG SIZE	SHEET 2 OF 2

