

PART NAME: Cable Glands

SCALE: 1:1

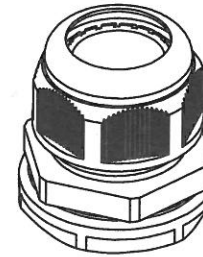
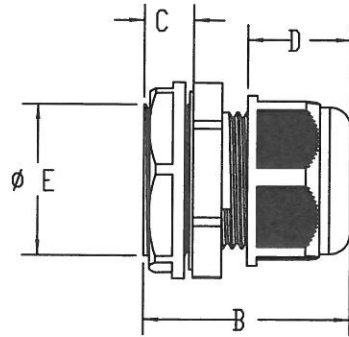
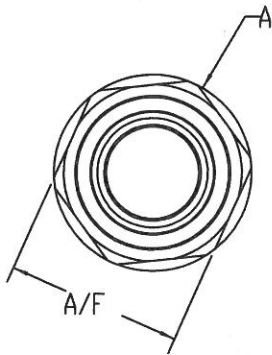
DATE: 11/30/18

DR. BY: JAM



P/N: Cable Gland

THIS DRAWING IS THE PROPERTY OF DAVIES MOLDING COMPANY, IS SUBMITTED SOLELY AS A DESIGN OR ENGINEERING PROJECT
WE ACCEPT NO RESPONSIBILITY WHATSOEVER FOR THE PRACTICAL APPLICATION OF THE PIECES MADE TO THIS DESIGN.



Metric Thread Cable Gland with O-Ring Data sheet

| Part # | Threading Type | Cable Range (in mm) | A/F | ø A | B | | C | D | ø E | *Panel/Junction Box | |
|-----------|----------------|---------------------|-----|-------|-------|-------|-------|-------|-------|---------------------|--------|
| | | | | | Min. | Max. | | | | Thickness Range | Hole ø |
| GC1001-A | M12X1.5 | 3.5-6.5 | 15 | 16.00 | 27.50 | 30.50 | 8.50 | 12.50 | 12.00 | 0.56-1.99 | 12.50 |
| GC1001-B | M16X1.5 | 5.5-8 | 18 | 20.00 | 31.00 | 35.50 | 8.50 | 16.50 | 16.00 | 0.56-1.99 | 16.50 |
| GC1001-C | M20X1.5 | 8-12 | 24 | 26.00 | 32.50 | 38.00 | 9.00 | 17.50 | 20.00 | 0.56-1.99 | 20.50 |
| GC1001-D | M25X1.5 | 10-14 | 27 | 30.00 | 35.00 | 40.00 | 10.00 | 19.00 | 25.00 | 0.56-1.99 | 25.50 |
| GC1001-E | M32X1.5 | 14-18 | 37 | 40.50 | 38.00 | 44.00 | 10.00 | 21.50 | 32.00 | 0.56-1.99 | 33.00 |
| GC1001-F | M40X1.5 | 19-25 | 45 | 50.00 | 47.50 | 53.50 | 10.00 | 26.50 | 40.00 | 0.56-1.99 | 41.00 |
| GC1001-G | M50X1.5 | 25-32 | 54 | 60.50 | 55.50 | 64.00 | 12.50 | 30.50 | 50.00 | 0.56-3.18 | 51.00 |
| GCL1001-H | M20X1.5 | 8-12 | 24 | 26.00 | 36.50 | 41.50 | 13.00 | 17.50 | 20.00 | 0.56-3.18 | 20.50 |
| GCL1001-J | M25X1.5 | 10-14 | 27 | 30.00 | 40.00 | 44.50 | 15.00 | 19.00 | 25.00 | 0.56-3.18 | 25.50 |

MATERIAL: NYLON 6
COLOR: GREY