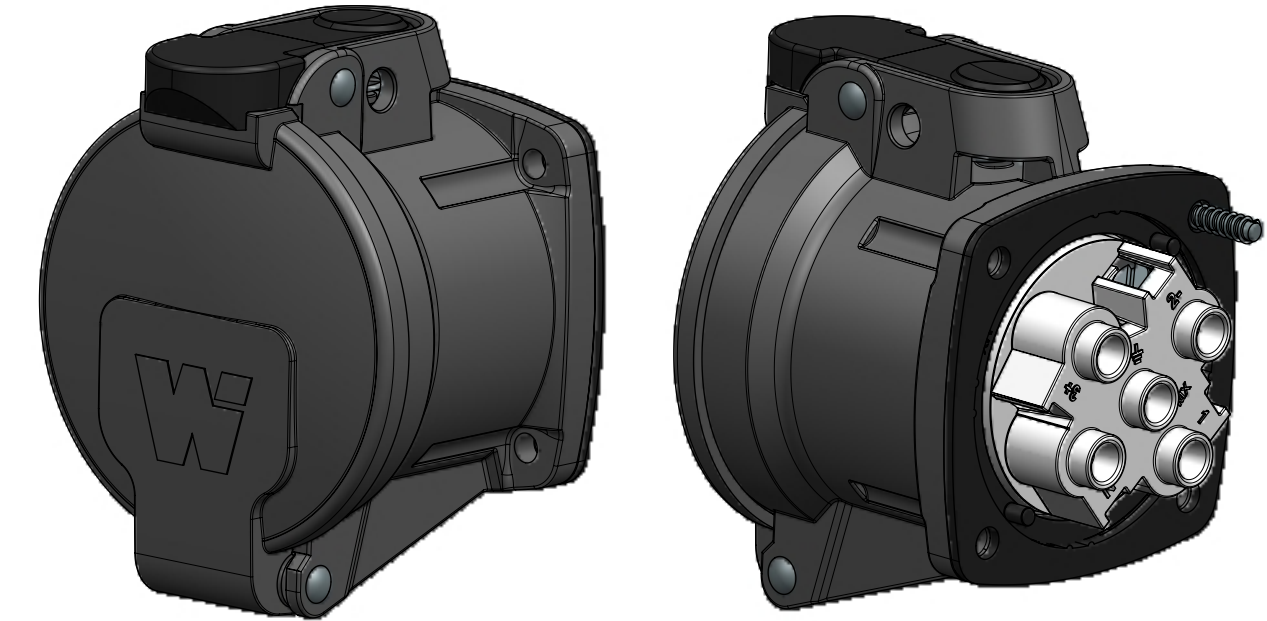
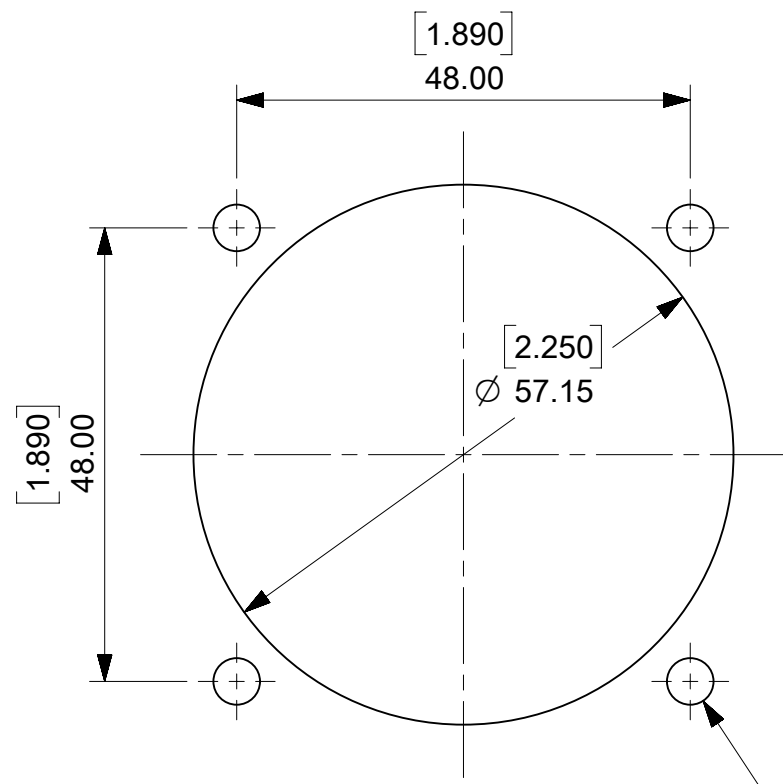


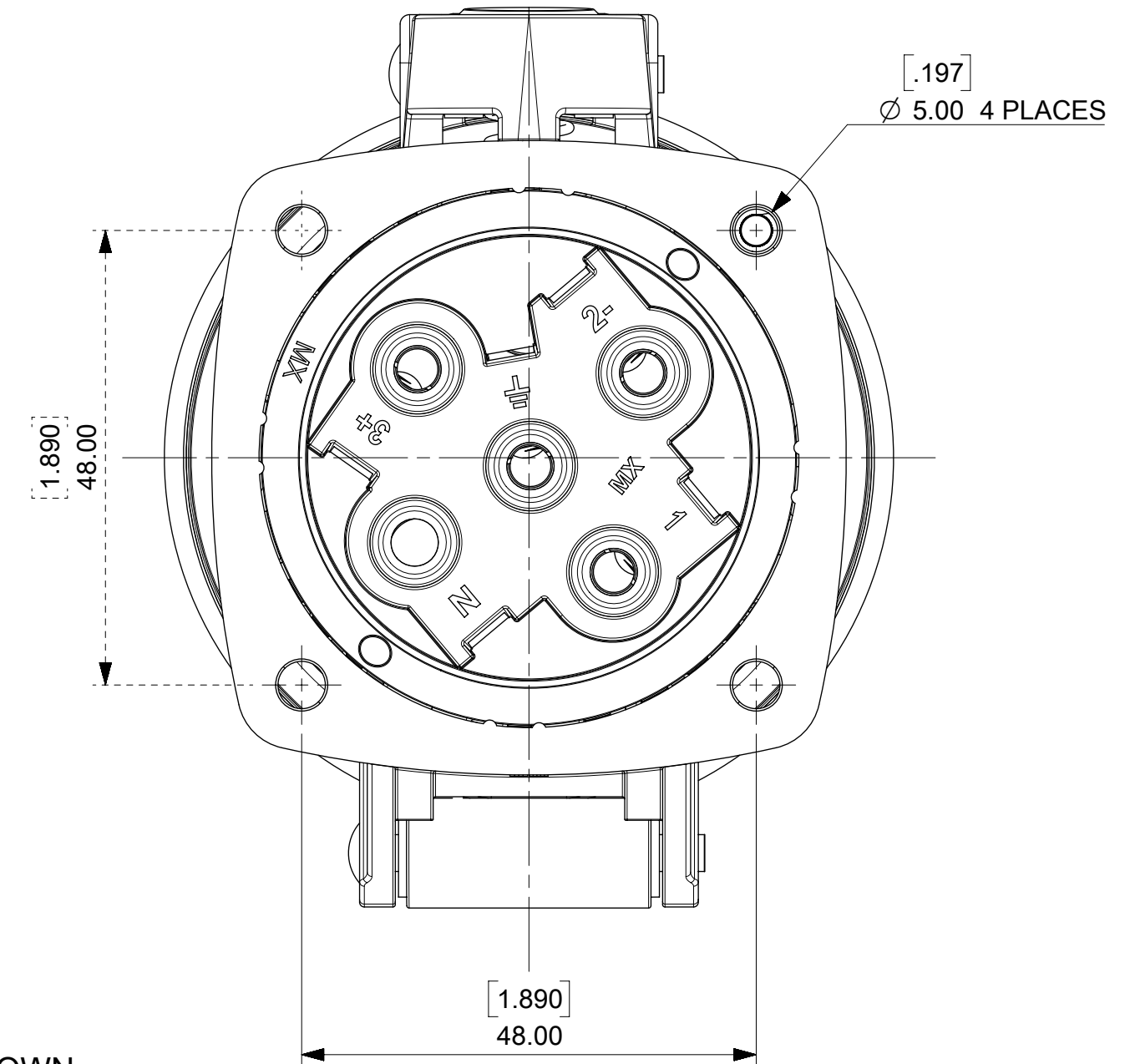
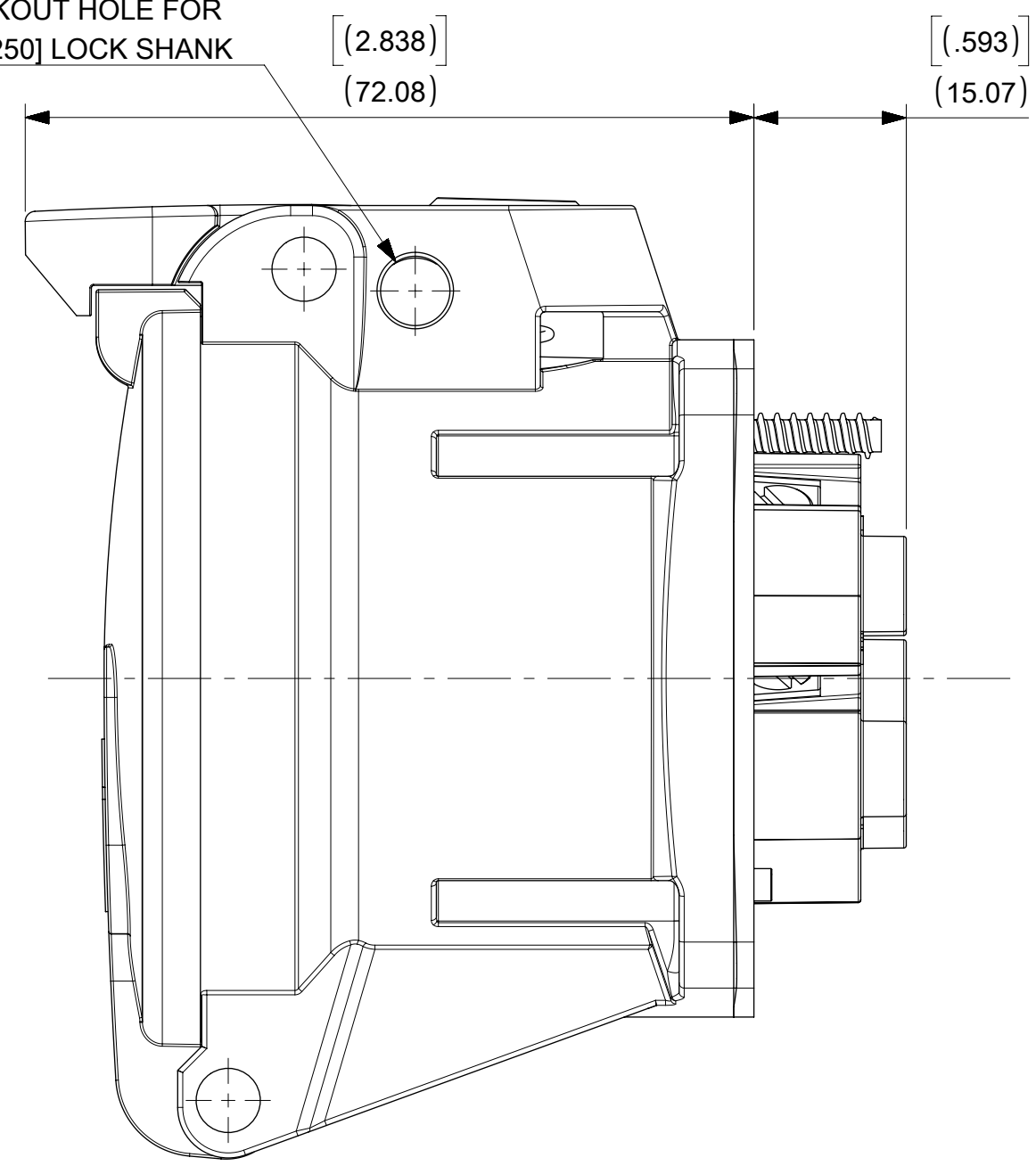
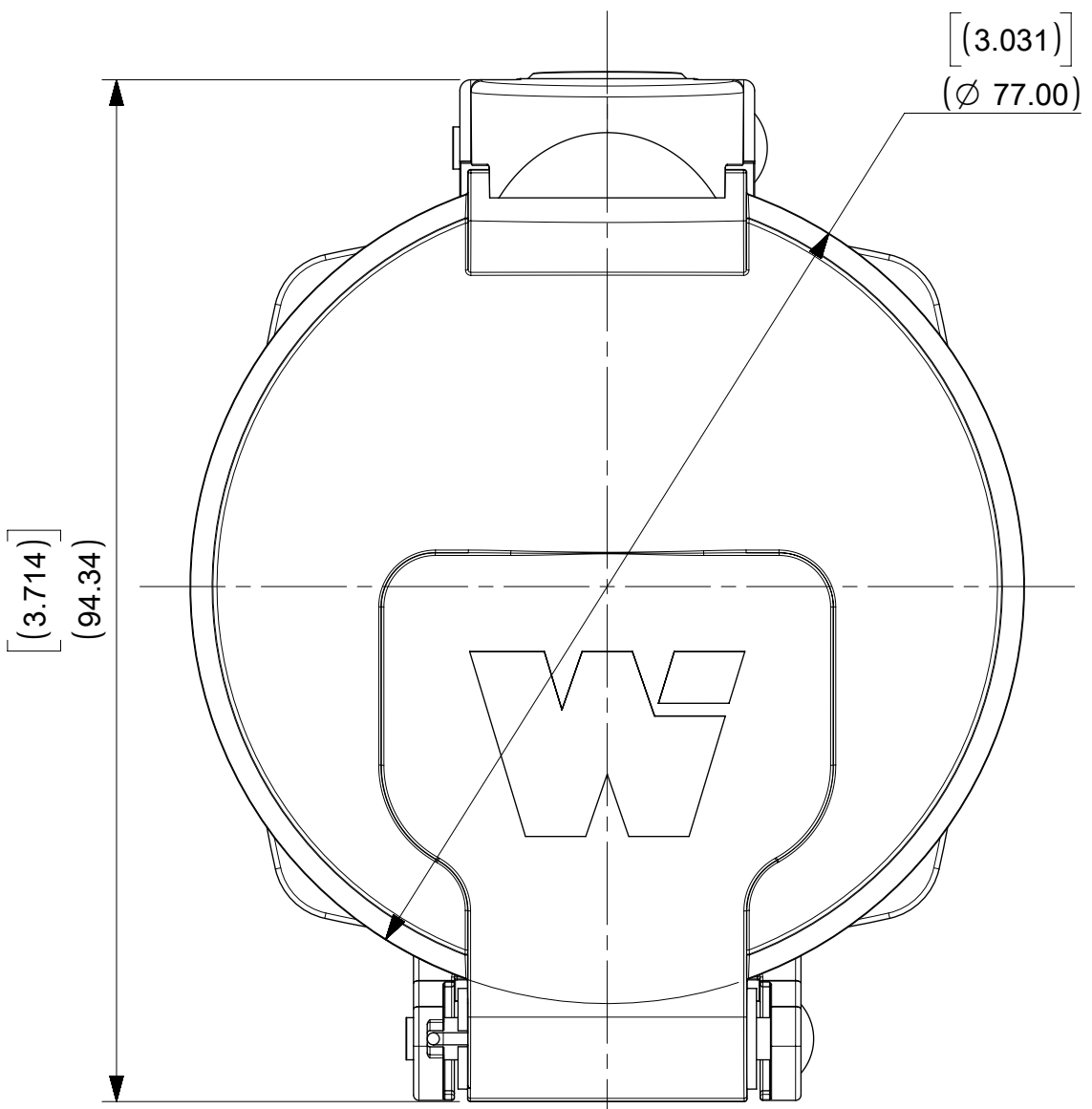
MATERIAL NUMBER	ENGINEERING NUMBER	DESCRIPTION	INSULATOR KEYING POSITION	HORSEPOWER RATING
1122190001	ARC30FA01	ARC 30A F 125VAC 1P+N+G	7	1 HP
1122190002	ARC30FB02	ARC 30A F 250VAC 2P+G		3 HP
1122190003	ARC30FB03	ARC 30A F 250VAC 3P+G		5 HP
1122190004	ARC30FAB04	ARC 30A F 125/250VAC 2P+N+G	16	NA
1122190005	ARC30FC02	ARC 30A F 208VAC 2P+G		NA
1122190006	ARC30FC03	ARC 30A F 208VAC 3P+G		5 HP
1122190007	ARC30FAC05	ARC 30A F 120/208VAC 3P+N+G	4	NA
1122190008	ARC30FD01	ARC 30A F 277VAC 1P+N+G		NA
1122190009	ARC30FE02	ARC 30A F 480VAC 2P+G		NA
1122190010	ARC30FE03	ARC 30A F 480VAC 3P+G	14	10 HP
1122190011	ARC30FDE05	ARC 30A F 277/480VAC 3P+N+G		NA
1122190012	ARC30FF02	ARC 30A F 600VAC 2P+G		NA
1122190013	ARC30FF03	ARC 30A F 600VAC 3P+G	14	NA
1122190014	ARC30FGF05	ARC 30A F 347/600VAC 3P+N+G		NA



[.270]
 Ø 6.86 LOCKOUT HOLE FOR
 Ø 6.35MM [0.250] LOCK SHANK

[2.838]
 (72.08)

[.593]
 (15.07)



ARC30FE03 SHOWN

NOTES:

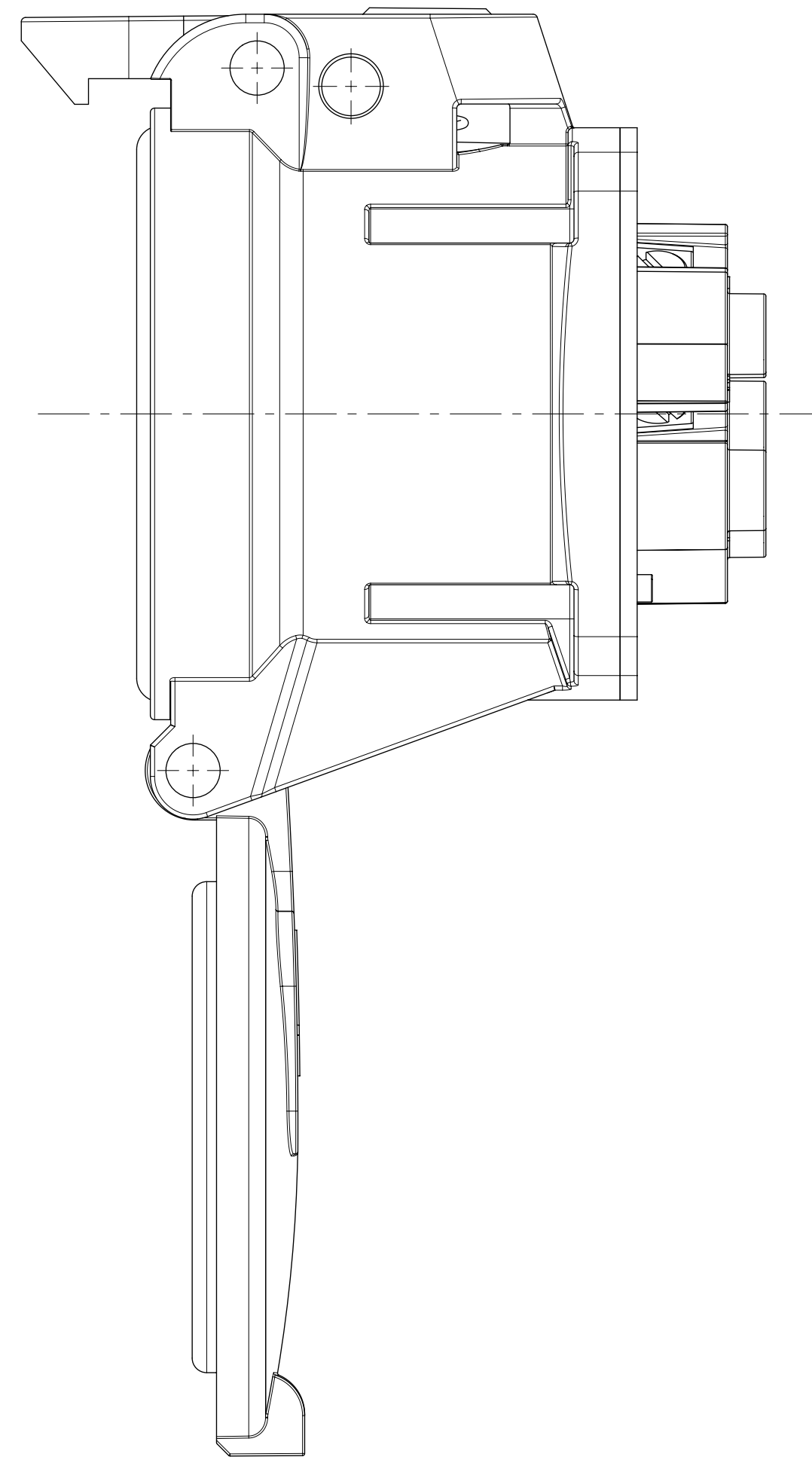
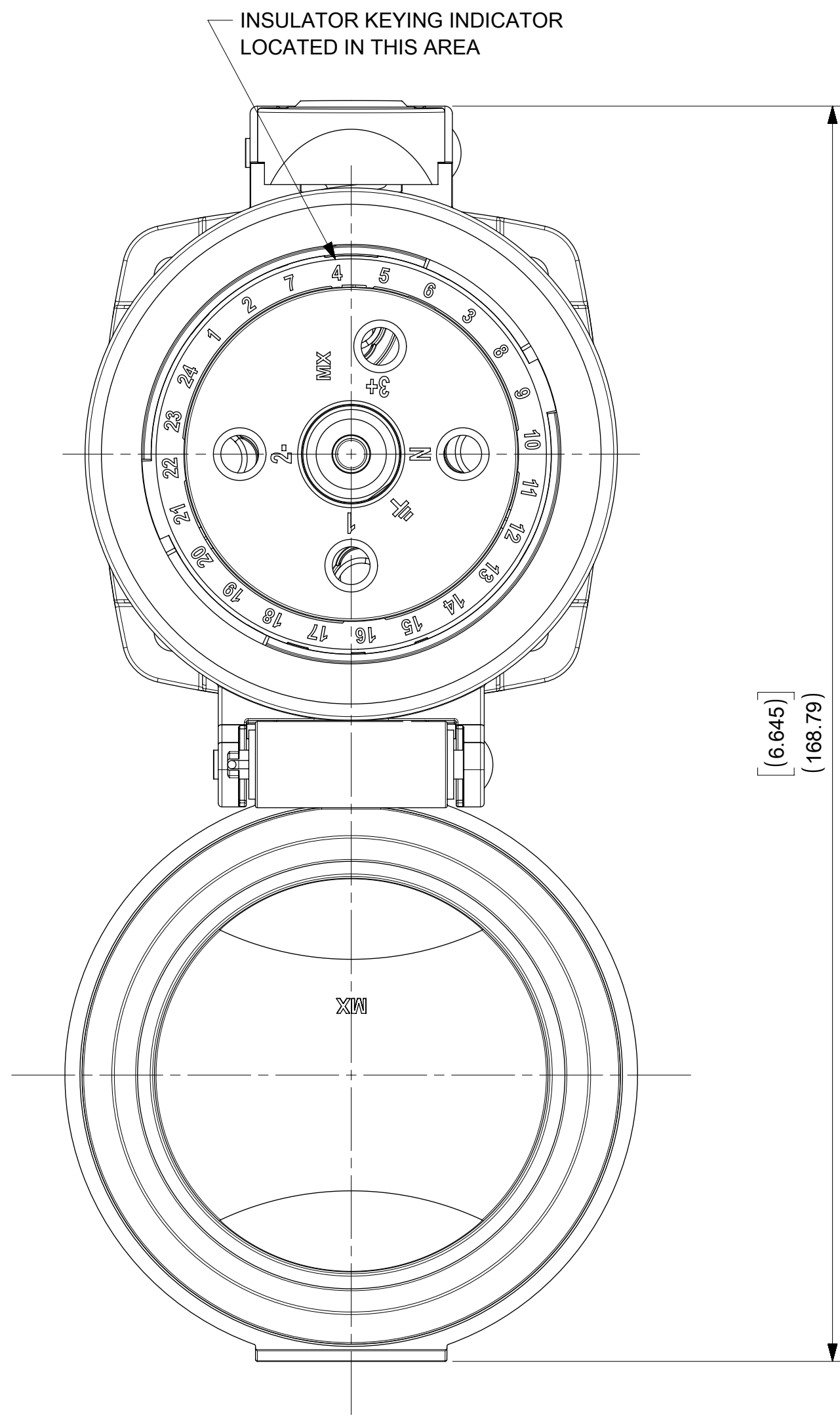
MATERIALS:
 HOUSINGS AND INSULATORS: GLASS FILLED PBT
 CONTACTS: COPPER ALLOY WITH A SILVER NICKEL TIP, SILVER PLATED
 MOUNTING AND INTERFACE GASKETS: SILICONE

RATINGS:
 CURRENT: 30 AMPS
 VOLTAGE AND HORSEPOWER: SEE TABLE
 OPERATING TEMPERATURE: -40°C (-40°F) TO 60°C (140°F)
 ENVIRONMENTAL: TYPE 4X, IP69K
 WIRING CAPACITY: 12 AWG MIN. TO 8 AWG MAX.
 TORQUE TERMINAL SCREWS TO 1.7 N-M (15 in/lbs)
 AGENCY: UL LISTING PENDING

SWITCH RATED RECEPTACLE/CONNECTOR
 BRANCH CIRCUIT DISCONNECT SWITCH
 MOTOR CIRCUIT DISCONNECT SWITCH IF HP RATED

THIS DRAWING REPLACES SD-112219-001.

SYMBOLS		THIS DRAWING CONTAINS INFORMATION THAT IS PROPRIETARY TO MOLEX ELECTRONIC TECHNOLOGIES, LLC AND SHOULD NOT BE USED WITHOUT WRITTEN PERMISSION		CURRENT REV DESC: ADDED 10HP,NEW		molex	
▽ = 0	INCH	SCALE	1.5:1	NOTES			
▽ = 0	GENERAL TOLERANCES (UNLESS SPECIFIED)		MM	INCH	EC NO: 604773		ARC 30A F 480VAC 3P+G
▽ = 0	4 PLACES	±	±	DRWN: MJANTELEZIO	2018/09/20	PRODUCT CUSTOMER DRAWING	
▽ = 0	3 PLACES	±	±	CHK'D: JFMURPHY	2018/11/05		DOCUMENT NUMBER
▽ = 0	2 PLACES	±	±	APPR: JFMURPHY	2018/11/05	DOC TYPE	
▽ = 0	1 PLACE	±	±	INITIAL REVISION:			DOC PART
▽ = 0	0 PLACES	±	±	DRWN: DRWN BY	XXXX/XX/XX	REVISION	
▽ = 0	ANGULAR TOL	±	°	APPR: APPR BY	XXXX/XX/XX		MATERIAL NUMBER
▽ = 0	DRAFT WHERE APPLICABLE MUST REMAIN WITHIN DIMENSIONS		THIRD ANGLE PROJECTION		DRAWING	CUSTOMER	
▽ = 0					C-SIZE		SHEET NUMBER
				SERIES		112219	
DOCUMENT STATUS		P1	RELEASE DATE	2018/11/05	17:31:23	GENERAL MARKET	1 OF 2



ARC30FE03 SHOWN

SYMBOLS	THIS DRAWING CONTAINS INFORMATION THAT IS PROPRIETARY TO MOLEX ELECTRONIC TECHNOLOGIES, LLC AND SHOULD NOT BE USED WITHOUT WRITTEN PERMISSION		CURRENT REV DESC: ADDED 10HP,NEW NOTES				
	DIMENSION UNITS	SCALE					
$\nabla = 0$	INCH	1.5:1	EC NO: 604773 DRWN: MJANTELEZIO 2018/09/20 CHK'D: JFMURPHY 2018/11/05 APPR: JFMURPHY 2018/11/05	ARC 30A F 480VAC 3P+G PRODUCT CUSTOMER DRAWING			
$\nabla = 0$	GENERAL TOLERANCES (UNLESS SPECIFIED)						
$\nabla = 0$				DOCUMENT NUMBER	DOC TYPE	DOC PART	REVISION
$\nabla = 0$				1122190010	PSD	000	B3
$\nabla = 0$				MATERIAL NUMBER	CUSTOMER	SHEET NUMBER	
$\nabla = 0$					GENERAL MARKET	2 OF 2	