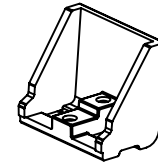
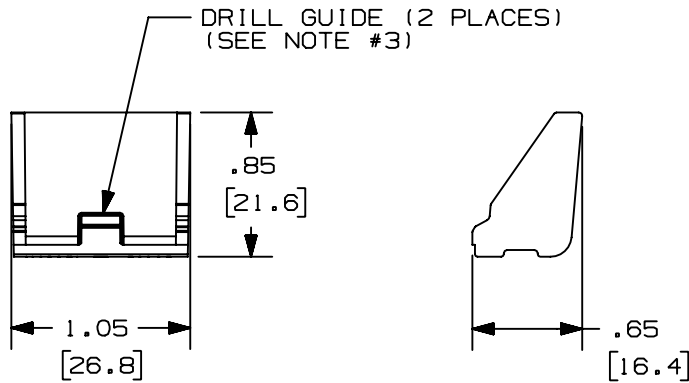


THIS COPY IS PROVIDED ON A RESTRICTED BASIS AND IS NOT TO BE USED IN ANY WAY DETRIMENTAL TO THE INTERESTS OF PANDUIT CORP.

PANDUIT P/N	WEIGHT
LDW3-V	.6 LB/100 PCS (260 g/100 PCS)

NOTES:

1. SEE CURRENT CATALOG FOR ADDITIONAL PART SUFFIXES TO INDICATE COLOR AND OR PACKAGE QUANTITY.
2. THE LDW3 TOOL IS USED WITH LD3 AND LDP3 RACEWAYS.
3. THIS PART IS USED AS A DRILL GUIDE AND HOLDS COVER OPEN IN WIRE INSTALLATION. DIAMETER OF DRILL GUIDE IS .084 AND ACCOMMODATES A #4 SCREW.
4. DIMENSIONS IN PARENTHESES ARE IN METRIC.



CAD FILENAME/LAYERS		36088BB_DC_LDW3_00	
PANDUIT		CORP. TINLEY PARK, ILLINOIS	
LD3 INSTALLATION WEDGE TOOL		(LDW3-V)	
CUSTOMER DRAWING			
UNLESS OTHERWISE SPECIFIED, DIMENSIONAL TOLERANCES ARE: (.X) ± (.XX) ± .03 (.8) ANGLES ±		UNLESS OTHERWISE SPECIFIED, ALL DIMENSIONS ARE GIVEN IN INCHES, THIRD ANGLE PROJECTION.	
DRAWN BY DW	MAT'L: POLYCARBONATE	SCALE NONE	DWG A
DATE 04-21-98	CHECKED BY HIW	DRAWING NO. 36088-02	SIZE A

REV	DATE	BY	CHK	DESCRIPTION	ECN	CHK	CUST	SUP
R	04-21-98	DW	HIW	RELEASED TO PRODUCTION.	36088-02	HIW	HIW	