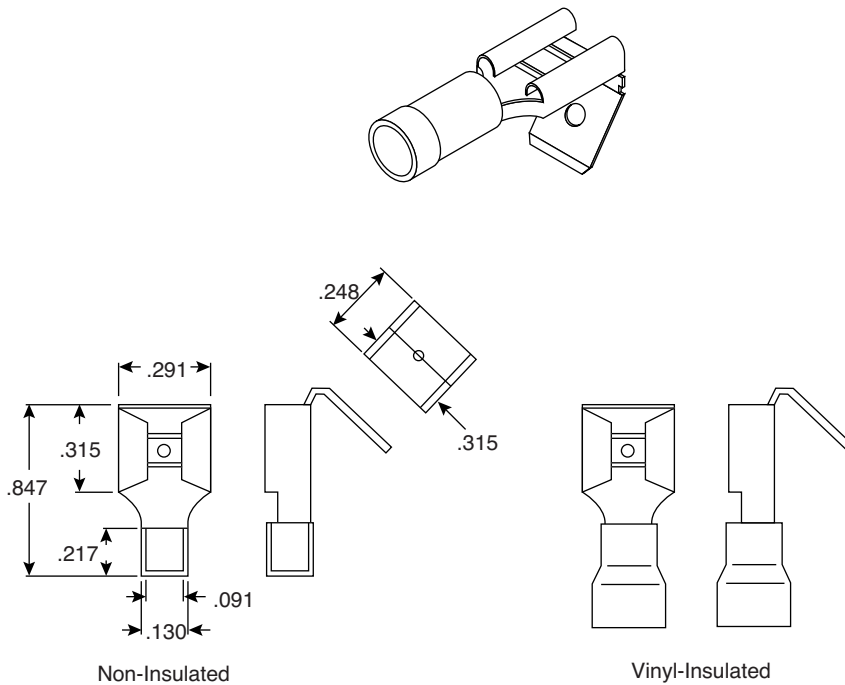


Piggyback Disconnects Blue

159-1611



Piggyback Disconnects Blue



Dimensions: in

SPECIFICATIONS	
Maximum Electric Current:	15 ampere
Maximum Electrical Rating:	75°C 300 volts max.
Insulation Color:	Blue
Terminal Material:	Brass thickness .016 (0.4mm)
Insulation Material:	Vinyl
NEMA Tab:	.032 x .250
Recommended Insulation Strip:	6.0mm

Date Last Revised: 1/15/10

Available from Mouser Electronics
1-800-346-6873 / www.mouser.com

KC-300792

159-1611

Specifications are subject to change without notice. No liability or warranty implied by this information. Environmental compliance based on producer documentation.