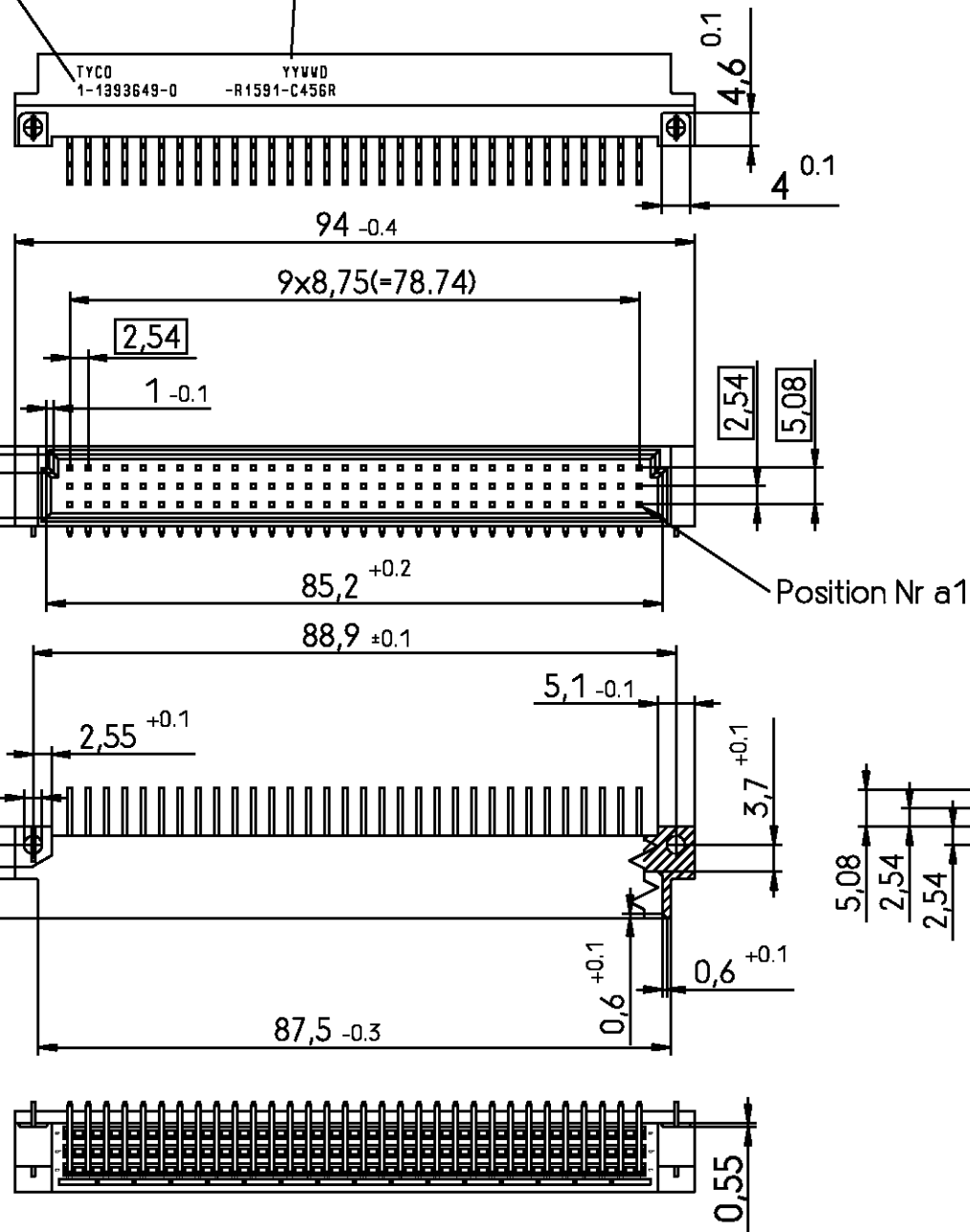


THIS INFORMATION IS CONFIDENTIAL AND PROPRIETARY TO TYCO ELECTRONICS CORPORATION AND ITS WORLDWID
 SUBSIDIARIES AND AFFILIATES. IT MAY NOT BE DISCLOSED TO ANYONE, OTHER THAN TYCO ELECTRONICS PERSONEL,
 WITHOUT WRITTEN AUTHORIZATION FROM TYCO ELECTRONICS CORPORATION, HARRISBURG, PENNSYLVANIA USA.

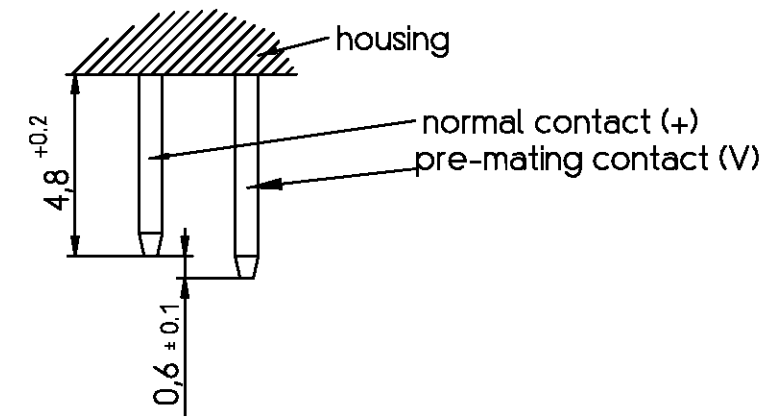
PROPRIETARY

Manufacturing date consisting of:
 2 digits for the year (YY), 2 digits for the week (WW) and 1 digit for the day (D)

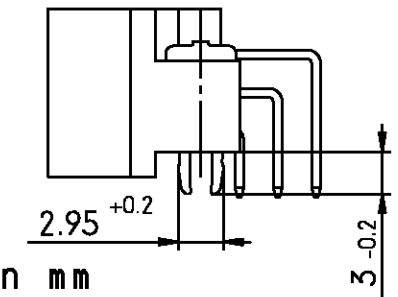
Part number



Contact lengths (5:1)



Dimensioning for mounting clips (2:1)



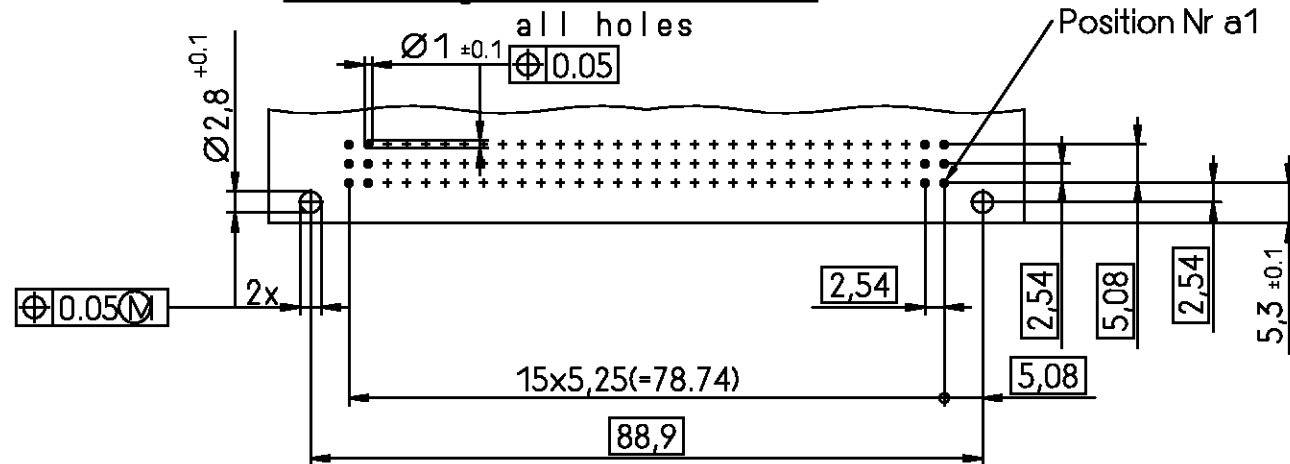
all dimensions are in mm

Contact assignment (96 pins)

	1	2	3
	12345678901234567890123456789012		
Row A:	V++++++V		
B:	++++++		
C:	V++++++V		

+ = normal contact
 V = pre-mating contact

Mounting holes in PCB



Acc to DIN EN 60603-2 performance level 2
 Housing material: PCT 30% glassfilled (UL94V-0), black
 deflection Temp. acc to ISO 75 method A(1.82 MPa) : 247°C
 Contact material: Copper alloy
 Plating : - contact area: gold
 - termination: Sn
 Packaging : antistatic tape on reel.

V42254-R1591-C456R	1-1393649-0
Prod. Descr. Code	Tyco PN

tyco		TYCO ELECTRONICS CORPORATION		SCALE 1:1, 2:1, 5:1	WEIGHT
Electronics		OOSTKAMP - BELGIUM	LOC GW	DIMENSIONS IN MM	
DATE	23.08.99	PART NAME		Customer drawing	
NAME	Cuvelier	PART NO.		PC612 Male Type C	
DEP.	CI PD	SHT.		1-	
A1	SR10-0177-03	18 JUN 03	KV	TOLERANCE UNLESS SPECIFIED OTHERWISE	
A	SR10-0491-02	20.11.02	FB	V42254-R1591-C456R-*7627	
51		23.08.99	CUV	OF 1	
REV.	CHANGE ORDER	DATE	APP.	Customer drawing number: C 1-1393649-0	