

- NOTES:
- 1) INSIDE DIMENSIONS FOR THE MALE CONNECTOR AND OUTSIDE DIMENSIONS FOR THE FEMALE CONNECTOR
  - 2) DIMPLE IS PROVIDED ONLY FOR THE MALE CONNECTOR
  - 3) THE GENERAL VIEW IS FOR THE OPTION GX/GL

**ORDERING INFORMATION**

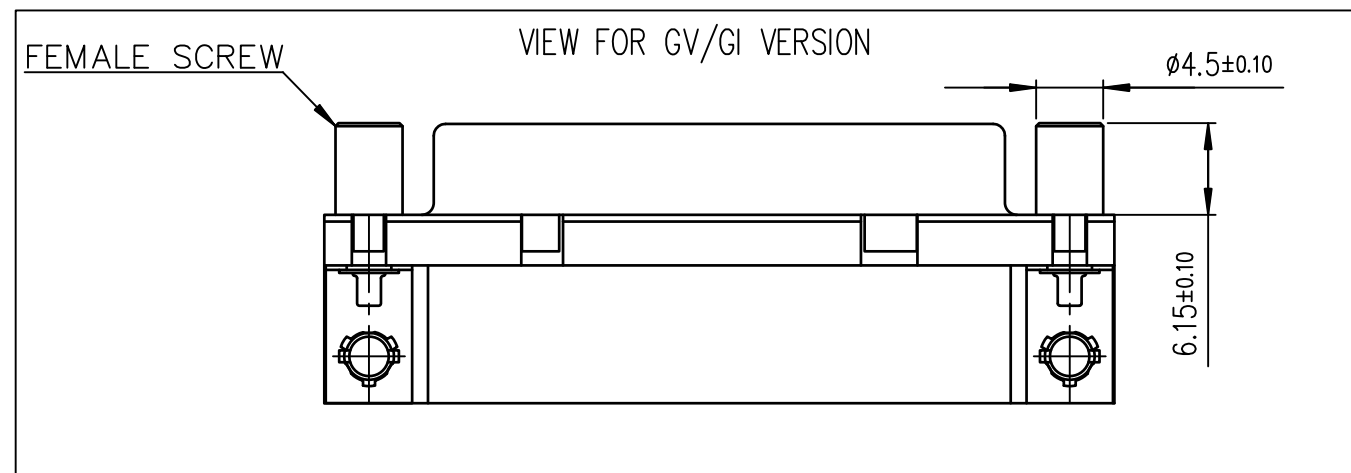
LD 09 S 33E 4 GX 00 LF LEAD FREE

NO: OF CONTACTS 09,15,25,37 STANDARD VERSION

CONTACTS P - PIN S - SOCKET MOUNTING ACCESSORY  
GX-HARPOONS+INSERT UNC 4-40+ELEC.CONTINUITY  
GL-HARPOONS+INSERT M3+ELEC.CONTINUITY  
GV-HARPOONS+FEMALE SCREW UNC 4-40+ELEC.CONTINUITY  
GI-HARPOONS+FEMALE SCREW M3+ELEC.CONTINUITY

TERMINATION TYPE 33E-RIGHT ANGLED(US VERSION) FOOTPRINT-8.08mm & PITCH-2.84mm MATING CYCLES \*FOR LD SERIES, REFER TECHNICAL SPECIFICATION

| SHELL | A±0.38 | B±0.12 | C±0.10 | D±0.25 | E±0.07 | F     | G         |           |
|-------|--------|--------|--------|--------|--------|-------|-----------|-----------|
| 09    | P      | 30.81  | 24.99  | 16.96  | 16.79  | 10.96 | 8.35±0.12 | 5.90±0.15 |
|       | S      | 30.81  | 24.99  | 16.96  | 16.21  | 10.96 | 7.89±0.13 | 6.17±0.12 |
| 15    | P      | 39.14  | 33.32  | 25.18  | 25.12  | 19.18 | 8.35±0.12 | 5.90±0.15 |
|       | S      | 39.14  | 33.32  | 25.18  | 24.54  | 19.18 | 7.89±0.13 | 6.17±0.12 |
| 25    | P      | 53.03  | 47.04  | 39.12  | 38.84  | 33.12 | 8.35±0.12 | 5.70±0.25 |
|       | S      | 53.03  | 47.04  | 39.12  | 38.25  | 33.12 | 7.89±0.13 | 6.17±0.12 |
| 37    | P      | 69.32  | 63.50  | 55.68  | 55.30  | 49.68 | 8.35±0.12 | 5.70±0.25 |
|       | S      | 69.32  | 63.50  | 55.68  | 54.71  | 49.68 | 7.89±0.13 | 6.17±0.12 |



|                             |                |                                       |   |                            |  |            |  |                                      |  |
|-----------------------------|----------------|---------------------------------------|---|----------------------------|--|------------|--|--------------------------------------|--|
| mat'l. code                 |                | surface ISO 1302                      |   | tolerance ISO 406 ISO 1101 |  | projection |  | product family D-SUB                 |  |
| ltr ecn no dr date          |                | tolerances unless otherwise specified |   | angles linear              |  | MM         |  | title DELTA-D R/A US LD SERIES       |  |
| A - AB 2014-08-01           |                |                                       |   |                            |  |            |  | dwg no 10130914 sheet 1 of 2 size A3 |  |
| B ELX-I-19184 AB 2014-10-24 |                |                                       |   |                            |  |            |  | type Product Customer Drawing        |  |
| dr ALIAS BABU 2014-08-01    |                |                                       |   |                            |  |            |  |                                      |  |
| enr ALIAS BABU 2014-10-24   |                |                                       |   |                            |  |            |  |                                      |  |
| chr MITHUN PAUL 2014-10-24  |                |                                       |   |                            |  |            |  |                                      |  |
| app BIJU K PAUL 2014-10-24  |                |                                       |   |                            |  |            |  |                                      |  |
| sheet index                 | revision sheet | B                                     | B |                            |  |            |  |                                      |  |
|                             |                | 1                                     | 2 |                            |  |            |  |                                      |  |

# TECHNICAL SPECIFICATION

## PHYSICAL CHARACTERISTICS

INSULATOR MATERIAL : BLACK THERMOPLASTIC UL94 V0  
 CONTACTS MATERIAL : COPPER ALLOY  
 CONTACTS PLATING : GOLD FLASH OVER NICKEL  
 SHELL PLATING : NICKEL/TIN

## ELECTRICAL CHARACTERISTICS

RATED VOLTAGE : 250V  
 RATED CURRENT : 5 A  
 CONTACT RESISTANCE :  $\leq 25m\Omega$   
 INSULATION RESISTANCE :  $\geq 5000 M\Omega$

## MECHANICAL CHARACTERISTICS

MATING CYCLES : 50 MINIMUM  
 RETENTION AGAINST TORQUE : 0.5Nm

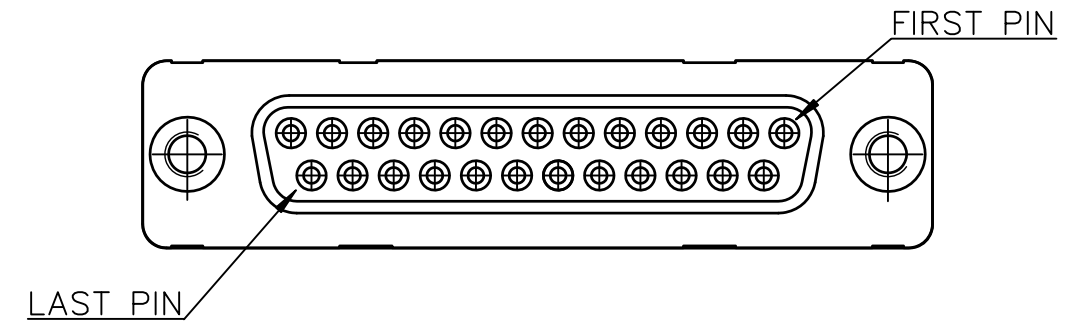
## ENVIRONMENTAL CHARACTERISTICS

OPERATING TEMPERATURE : -55°C TO +105°C

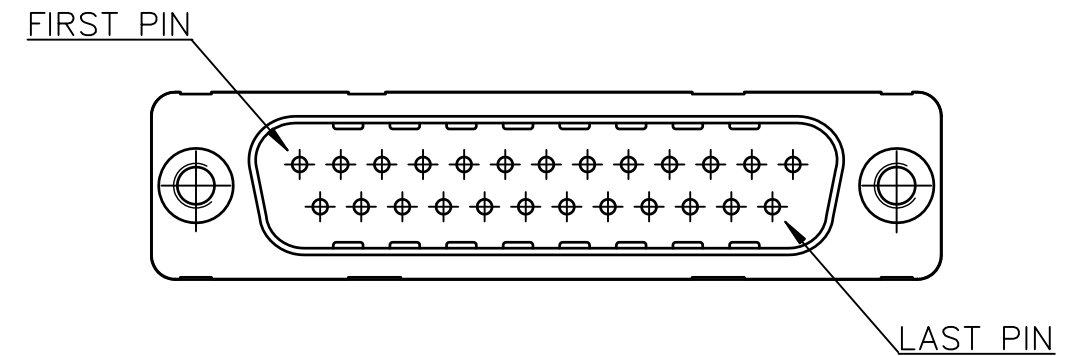
## PACKING SPECIFICATION

REFER GS-14-2405

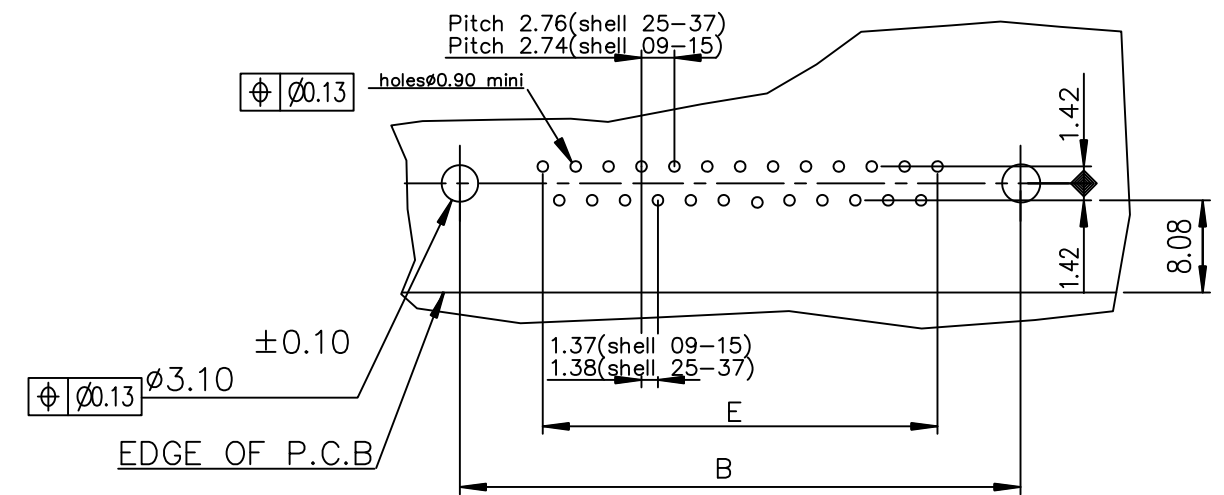
MATING VIEW FOR FEMALE CONNECTOR



MATING VIEW FOR MALE CONNECTOR



PC card drilling dimensions(after plating)  
 (thickness 1.60±0.20mm)



|             |                |          |      |                                       |        |            |     |                               |              |
|-------------|----------------|----------|------|---------------------------------------|--------|------------|-----|-------------------------------|--------------|
| mat'l. code |                | surface  |      | tolerance                             |        | projection |     | product family                |              |
| -           |                | ISO 1302 |      | ISO 406 ISO 1101                      |        |            |     | D-SUB                         |              |
| ltr         | ecn no         | dr       | date | tolerances unless otherwise specified |        |            |     | title                         |              |
| B           |                |          |      | angles                                | linear | MM         |     | DELTA-D R/A US                |              |
|             |                |          |      | 0°±2'                                 |        | scale 2:1  |     | LD SERIES                     |              |
|             |                |          |      | dr                                    | engr   | chr        | app | dwg no                        | sheet 2 of 2 |
|             |                |          |      | dr                                    | engr   | chr        | app | 10130914                      | size         |
|             |                |          |      | dr                                    | engr   | chr        | app |                               | A3           |
|             |                |          |      | dr                                    | engr   | chr        | app | type Product Customer Drawing |              |
| sheet index | revision sheet |          |      |                                       |        |            |     |                               |              |