

- NOTES:
- 1) INSIDE DIMENSIONS FOR THE MALE CONNECTOR AND OUTSIDE DIMENSIONS FOR THE FEMALE CONNECTOR
 - 2) DIMPLE IS PROVIDED ONLY FOR THE MALE CONNECTOR
 - 3) THE GENERAL VIEW IS FOR THE OPTION GX/GL

ORDERING INFORMATION

SERIES: LD 09 S 33E 4 GX 00 LF LEAD FREE

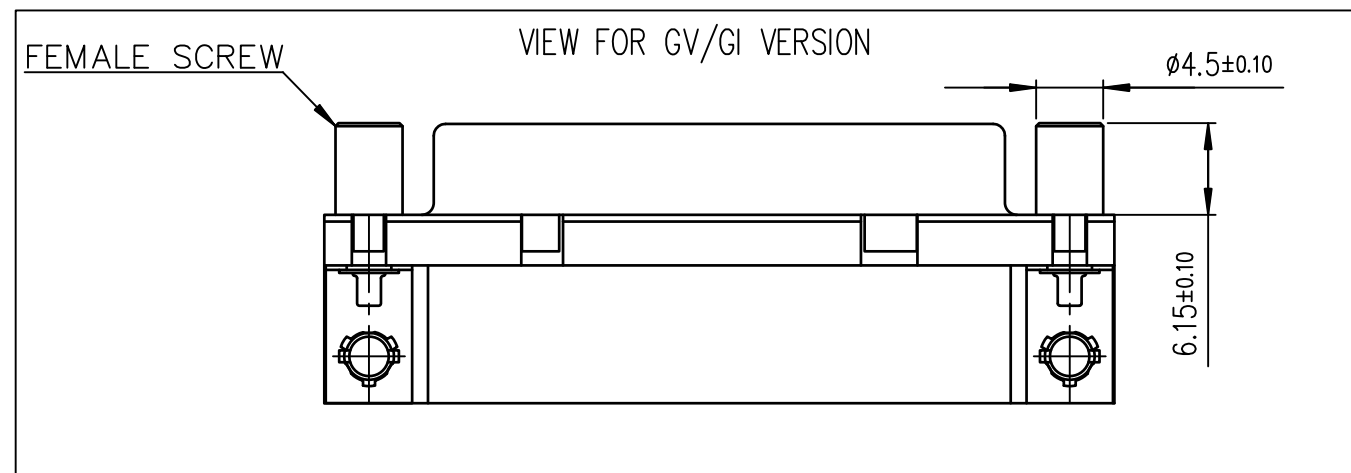
NO: OF CONTACTS: 09,15,25,37 STANDARD VERSION

CONTACTS: P - PIN, S - SOCKET MOUNTING ACCESSORY

TERMINATION TYPE: 33E-RIGHT ANGLED(US VERSION) FOOTPRINT-8.08mm & PITCH-2.84mm MATING CYCLES

*FOR LD SERIES, REFER TECHNICAL SPECIFICATION

SHELL	A±0.38	B±0.12	C±0.10	D±0.25	E±0.07	F	G	
09	P	30.81	24.99	16.96	16.79	10.96	8.35±0.12	5.90±0.15
	S	30.81	24.99	16.96	16.21	10.96	7.89±0.13	6.17±0.12
15	P	39.14	33.32	25.18	25.12	19.18	8.35±0.12	5.90±0.15
	S	39.14	33.32	25.18	24.54	19.18	7.89±0.13	6.17±0.12
25	P	53.03	47.04	39.12	38.84	33.12	8.35±0.12	5.70±0.25
	S	53.03	47.04	39.12	38.25	33.12	7.89±0.13	6.17±0.12
37	P	69.32	63.50	55.68	55.30	49.68	8.35±0.12	5.70±0.25
	S	69.32	63.50	55.68	54.71	49.68	7.89±0.13	6.17±0.12



mat'l. code		surface ISO 1302		tolerance ISO 406 ISO 1101		projection		product family	
-		✓				MM		D-SUB	
ltr	ecn no	dr	date	tolerances unless otherwise specified		title			
A	-	AB	2014-08-01	angles	linear	DELTA-D R/A US LD SERIES			
B	ELX-I-19184	AB	2014-10-24	0°±2'	.00±0.1	scale 2:1			
						dr		ALIAS BABU 2014-08-01	
						enr		ALIAS BABU 2014-10-24	
						chr		MITHUN PAUL 2014-10-24	
						app		BIJU K PAUL 2014-10-24	
sheet index		revision sheet		B B		FCI		dwg no 10130914 sheet 1 of 2 size A3	
				1 2				type Product Customer Drawing	

TECHNICAL SPECIFICATION

PHYSICAL CHARACTERISTICS

INSULATOR MATERIAL : BLACK THERMOPLASTIC UL94 V0
 CONTACTS MATERIAL : COPPER ALLOY
 CONTACTS PLATING : GOLD FLASH OVER NICKEL
 SHELL PLATING : NICKEL/TIN

ELECTRICAL CHARACTERISTICS

RATED VOLTAGE : 250V
 RATED CURRENT : 5 A
 CONTACT RESISTANCE : $\leq 25m\Omega$
 INSULATION RESISTANCE : $\geq 5000 M\Omega$

MECHANICAL CHARACTERISTICS

MATING CYCLES : 50 MINIMUM
 RETENTION AGAINST TORQUE : 0.5Nm

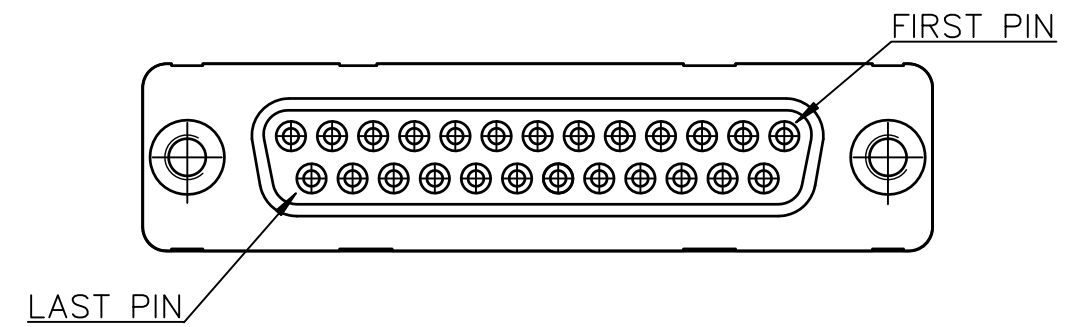
ENVIRONMENTAL CHARACTERISTICS

OPERATING TEMPERATURE : -55°C TO +105°C

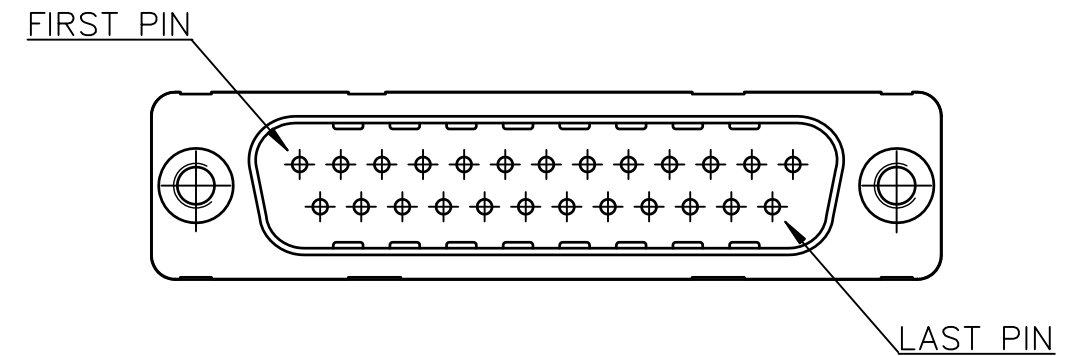
PACKING SPECIFICATION

REFER GS-14-2405

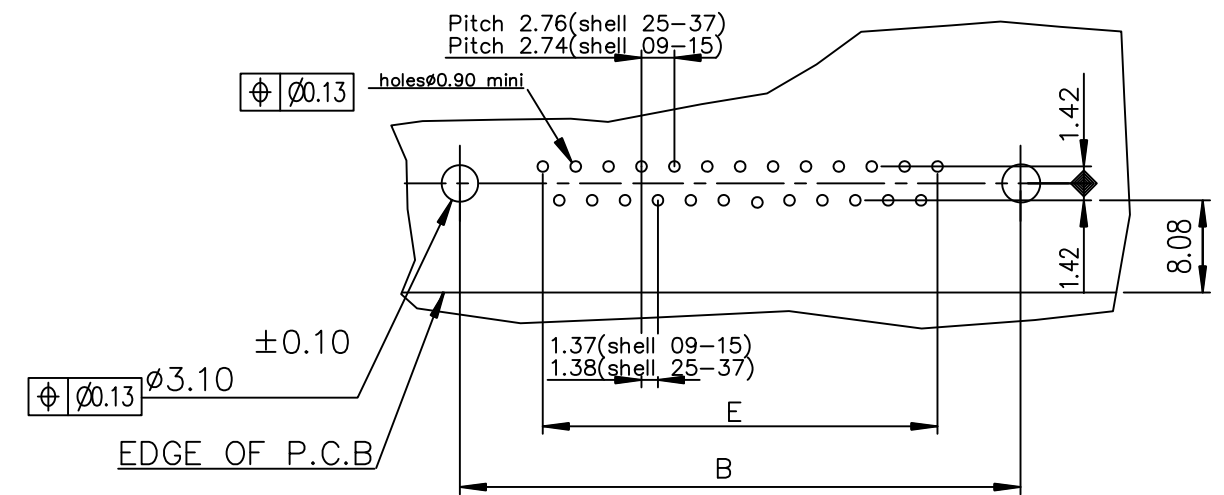
MATING VIEW FOR FEMALE CONNECTOR



MATING VIEW FOR MALE CONNECTOR



PC card drilling dimensions(after plating)
 (thickness 1.60±0.20mm)



mat'l. code		surface		tolerance		projection		product family	
-		ISO 1302		ISO 406 ISO 1101				D-SUB	
ltr	ecn no	dr	date	tolerances unless otherwise specified				title	
B				angles	linear	MM		DELTA-D R/A US	
				0°±2'		scale 2:1		LD SERIES	
				dr	engr	chr	app	dwg no	sheet 2 of 2
				dr	engr	chr	app	10130914	size
				dr	engr	chr	app		A3
				dr	engr	chr	app	type Product Customer Drawing	
sheet index	revision sheet								