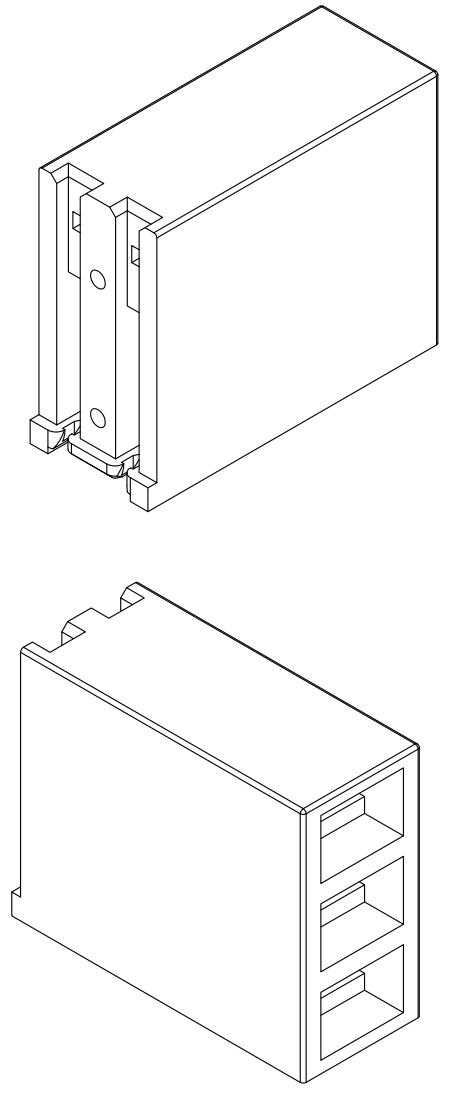
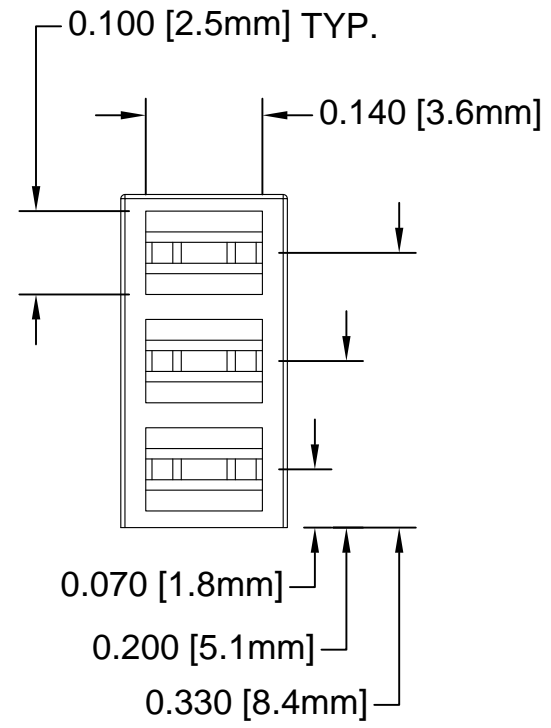
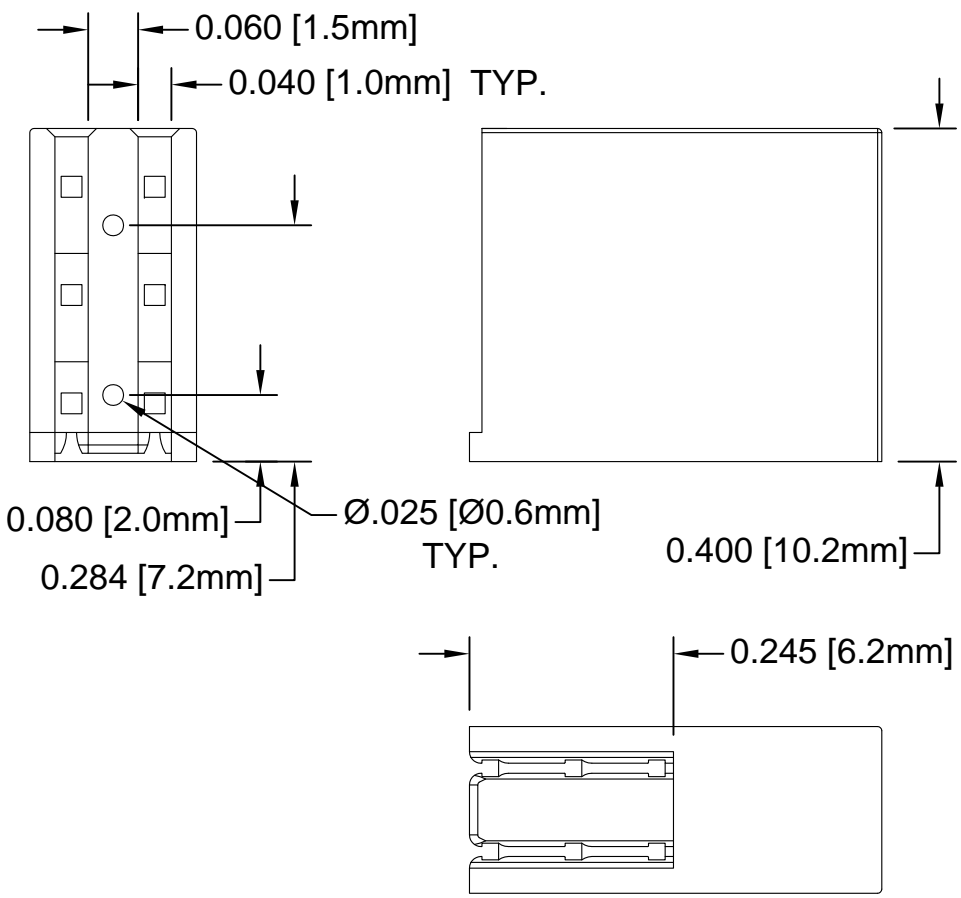
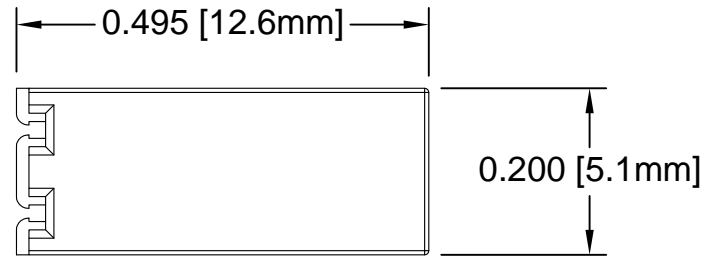

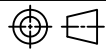


REV.	DESCRIPTION	DATE	APPROVED
A	Engineering Update w/o Changes	05/16/07	M. C.
B	Rear Plate Update	10/15/07	M. C.
C	Updated Title Block	02/07/08	M. C.
D	Removed Material Code	05/28/16	J. C.



- 2. MATERIAL: NYLON 6/6, 94V-0, BLACK.
- 1. GENERAL SPECIFICATIONS: BIVAR MOLDED COMPONENT SPECIFICATION BV00-E101.

STANDARD TOLERANCE (UNLESS OTHERWISE SPECIFIED)		 BIVAR [®] 4 THOMAS, IRVINE, CA. 92618 TEL: (949) 951-8808 FAX: (949) 951-3974			
DECIMALS	ANGULAR				
.X ±.1	X° ± 1°	 TITLE: 3-HIGH HOLDER FOR 1.8mm LEDs			
.XX ±.01					
.XXX ±.005		DESIGNED: T. Yin	DATE: 10/15/07	PART NO: H-381C	REVISION: D
		CHECKED: M. Chen	DATE: 10/15/07		CAGE CODE : 32559
CAD GENERATED DOCUMENT. DO NOT MEASURE DRAWING.					