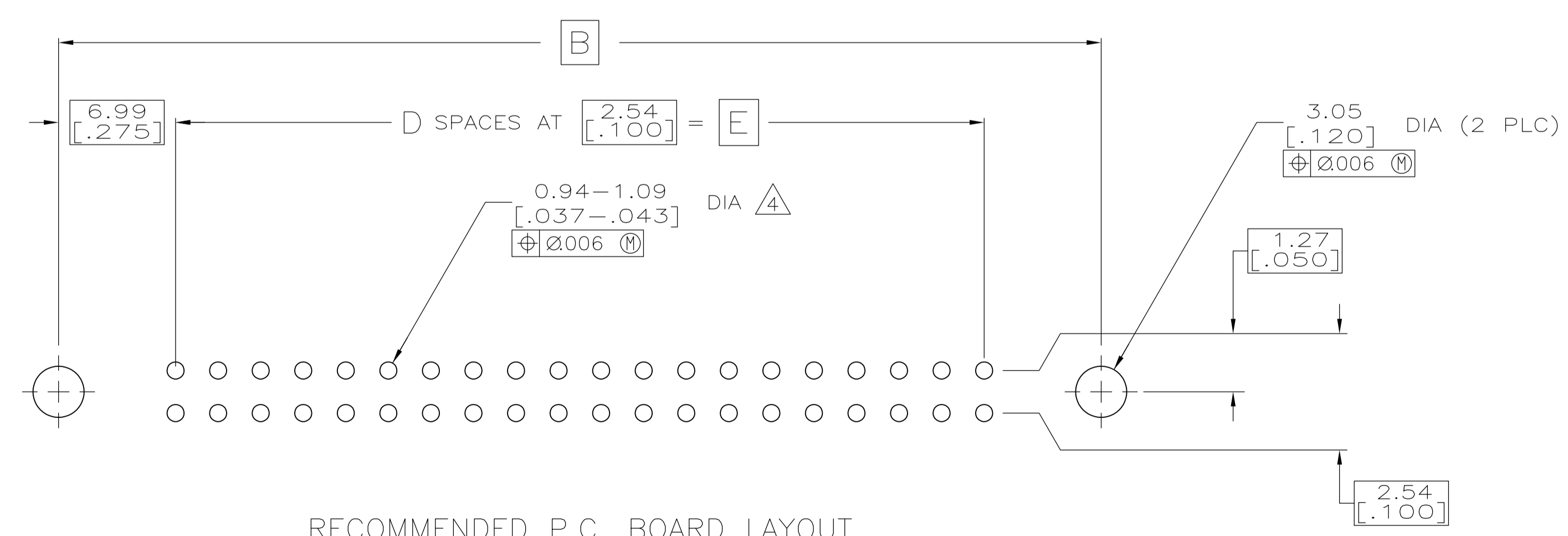
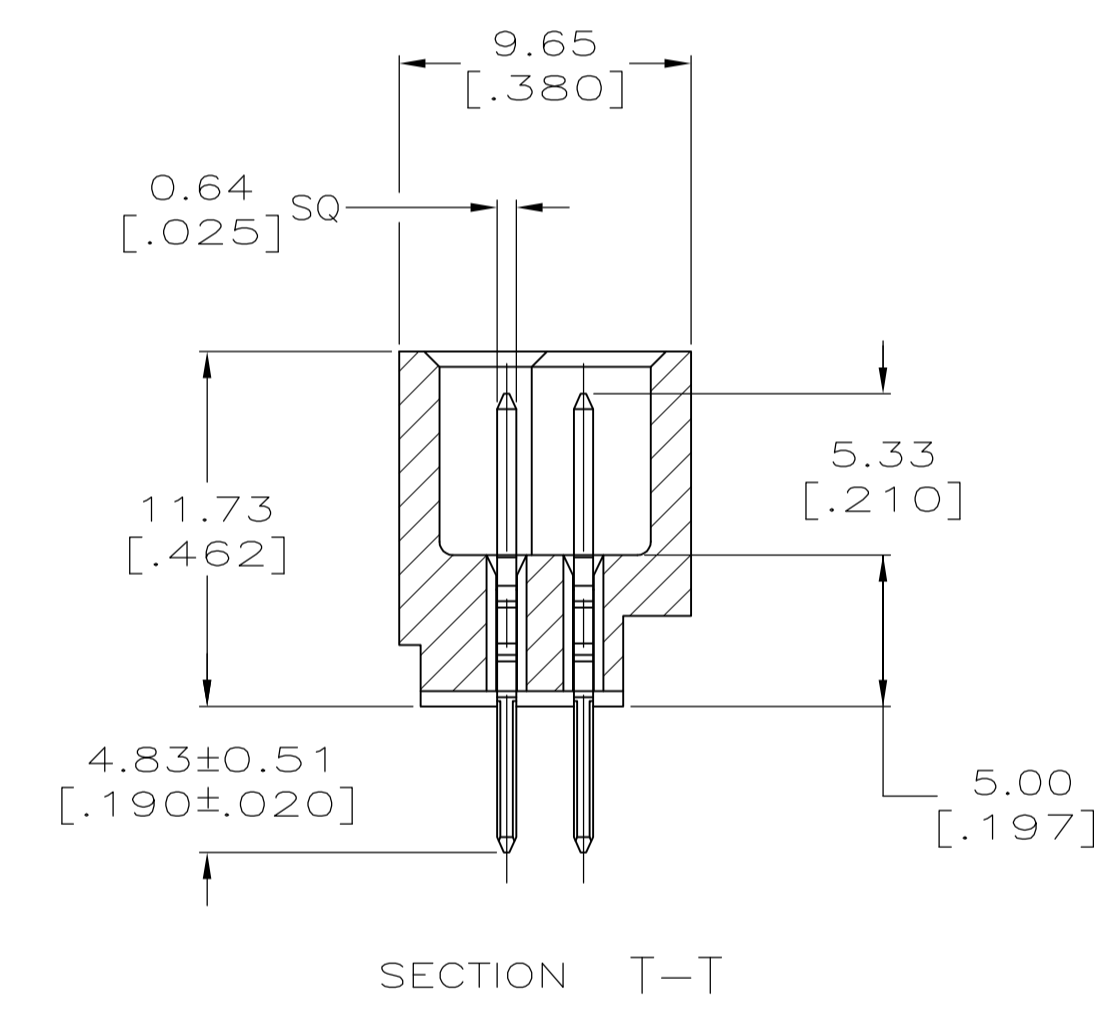
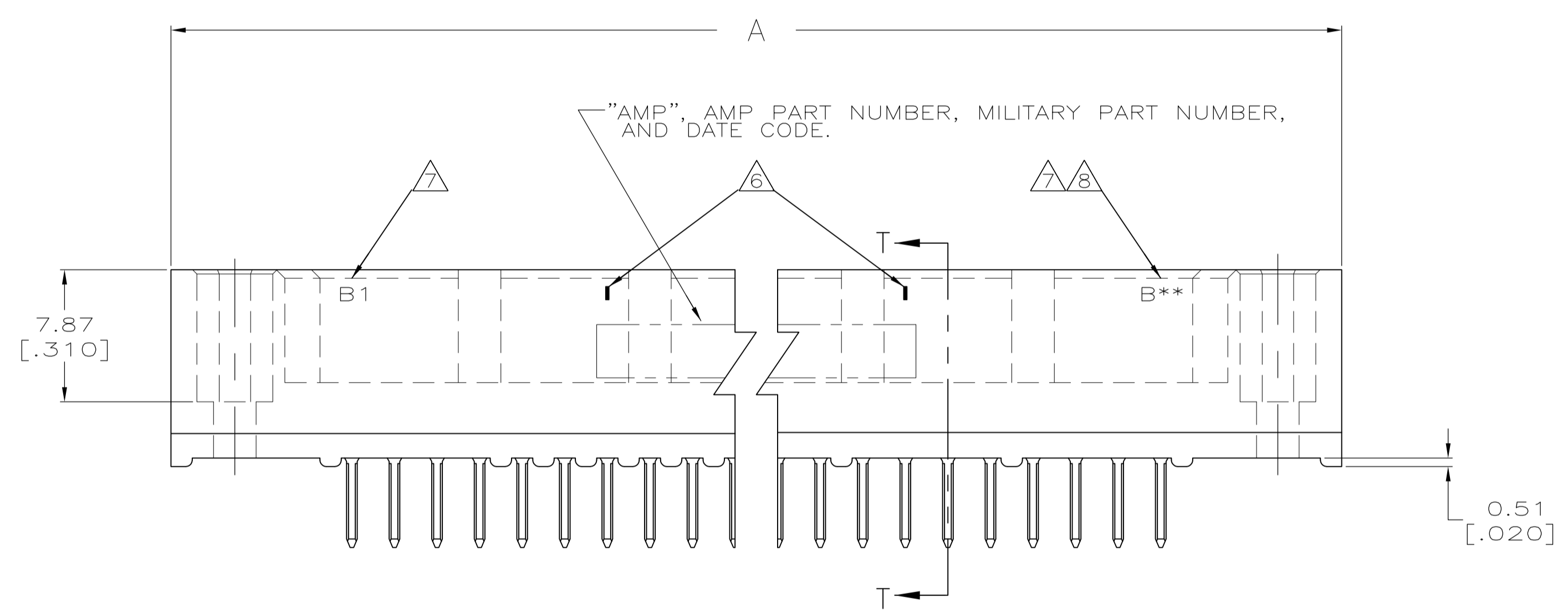
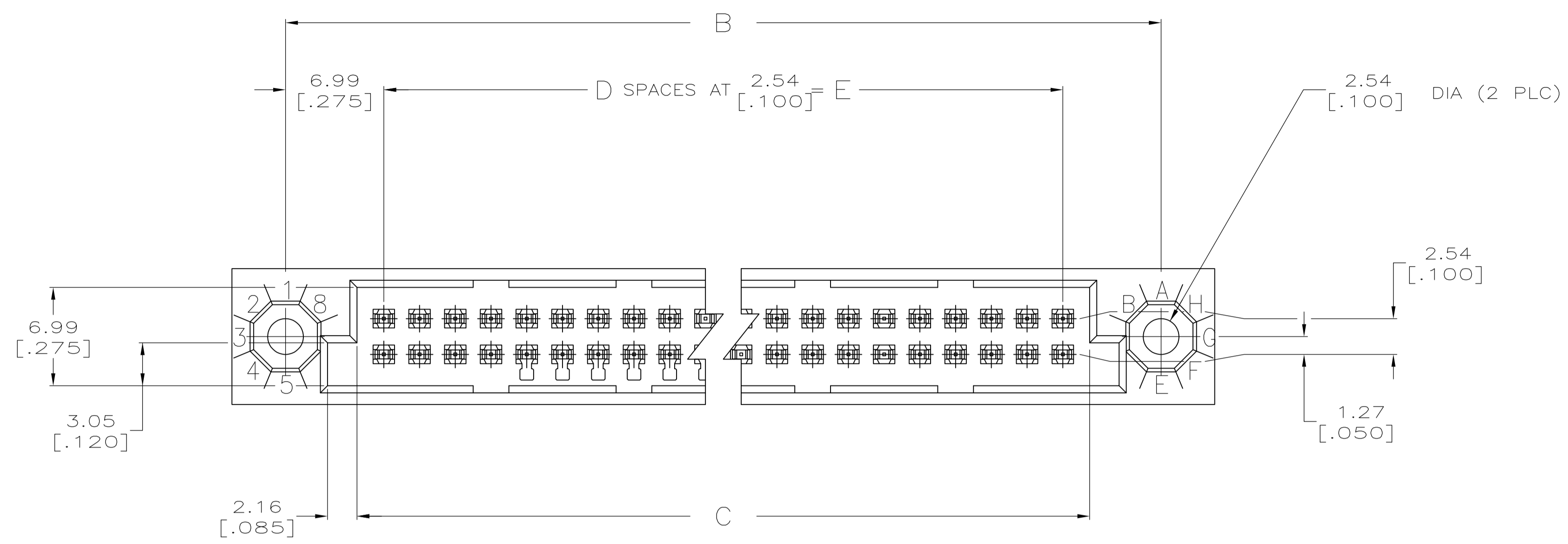


LOC		DIST		REVISONS			
P	LTR	DESCRIPTION	DATE	DMN	APVD		
AD	25						
D2		REVISED PER ECO-11-008907	22AUG11	HMR	AS		



THIS DRAWING IS A CONTROLLED DOCUMENT.		DIN	T. HOFFMAN	2/25/93	 TE Connectivity
DIMENSIONS: mm [INCHES]		CHK	G. SKIPPER	03/23/93	
TOLERANCES UNLESS OTHERWISE SPECIFIED:		APVD			NAME
0 PLC	± -	PRODUCT SPEC		HDI, 2 ROW, PIN ASSEMBLY, 4.83 [.190] LONG SOLDER PINS, .00076 [.000050] GOLD PLATE	
1 PLC	± -	APPLICATION SPEC		SIZE	
2 PLC	± -	MATERIAL		CAGE CODE	
3 PLC	± 0.13 [.005]	FINISH		DRAWING NO	
4 PLC	± -	RESTRICTED TO		A1 00779 C=533903	
ANGLES	± -	CUSTOMER DRAWING		SCALE 4:1 SHEET 1 OF 2 REV D2	

- 1 HOUSING MATERIAL: THERMOPLASTIC, COLOR-NATURAL.
- 2 CONTACT MATERIAL: PHOSPHOR BRONZE.
- 3 CONTACT FINISH: .00127-.00254 [.000050-.000100] NICKEL UNDERPLATE ALL OVER; .00127 [.000050] GOLD PLATE IN CONTACT AREA, TIN-LEAD PLATED POSTS.
- 4 SOLDER PIN POST RECOMMENDED P.C. BOARD HOLE SIZES ARE 0.94-1.09 [.037-.043]; RECOMMENDED PAD DIA IS 1.52 [.060].
- 5. DIMENSIONS IN BRACKETS ARE IN INCHES.
- 6 MARK EVERY TENTH POST POSITION.
- 7 MARK ROW B AND FIRST-LAST POSITION IDENT. NUMBER PER AMP SPEC. 115-9063.
- 8 TOTAL NUMBER OF POSITIONS PER ROW.

-	N/A	137.16 [5.400]	54	140.97 [5.550]	151.13 [5.950]	158.75 [6.250]	110	1-533903-1
-	M55302/173-150	187.96 [7.400]	74	191.77 [7.550]	201.93 [7.950]	209.55 [8.250]	150	1-533903-0
-	M55302/173-87	124.46 [4.900]	49	128.27 [5.050]	138.43 [5.450]	146.05 [5.750]	100	533903-8
-	-	73.66 [2.900]	29	77.47 [3.050]	87.63 [3.450]	95.25 [3.750]	60	533903-6
-	-	-	-	-	-	-	-	533903-5
-	-	-	-	-	-	-	-	533903-4
-	M55302/173-24	48.26 [1.900]	19	52.07 [2.050]	62.23 [2.450]	69.85 [2.750]	40	533903-3
-	-	-	-	-	-	-	-	533903-2
-	-	-	-	-	-	-	-	533903-1
NOTES	MILITARY PART NUMBER	E	D	C	B	A	POSN	PART NUMBER

THIS DRAWING IS A CONTROLLED DOCUMENT.		DIN 2/25/93 T. HOFFMAN		TE Connectivity	
DIMENSIONS: mm [INCHES]		TOLERANCES UNLESS OTHERWISE SPECIFIED:		APPROVED: G. SKIPPER	
0 PLC ± -		1 PLC ± -		2 PLC ± -	
3 PLC ± 0.13 [.005]		4 PLC ± -		ANGLES ± -	
MATERIAL		FINISH		WEIGHT	
1 2		3		A 1 00779 533903	
CUSTOMER DRAWING		SCALE 4:1		SHEET 2 OF 2 REV D2	