

Features

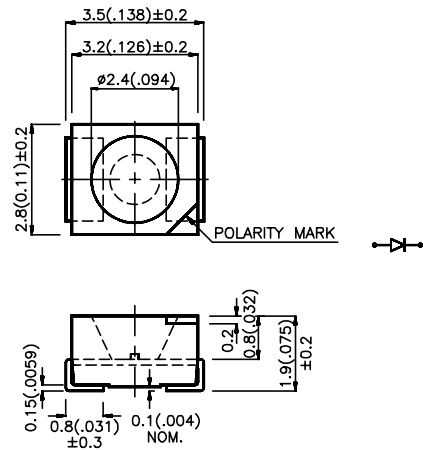
- HIGH EFFICIENCY.
- WHITE EMISSION, HIGH LUMINOUS INTENSITY.
- SUITABLE FOR ALL SMT ASSEMBLY AND SOLDERING PROCESS.
- AVAILABLE ON TAPE AND REEL.
- IDEAL FOR BACKLIGHTING.

AA3528PWC

Package Dimensions

Description

The Blue source color devices are made with InGaN on SiC Light Emitting Diode.



Notes:

1. All dimensions are in millimeters (inches).
2. Tolerance is $\pm 0.1 (0.004)$ unless otherwise noted.
3. Lead spacing is measured where the lead emerge package.
4. Specifications are subjected to change without notice.

Selection Guide

Part No.	Dice	Lens Type	Iv (mcd) @ 20 mA		Viewing Angle
			Min.	Typ.	2 θ 1/2
AA3528PWC	WHITE (InGaN)	WATER CLEAR	30	55	120°

Note:

1. $\theta 1/2$ is the angle from optical centerline where the luminous intensity is 1/2 the optical centerline value.

Electrical / Optical Characteristics at T_A=25°C

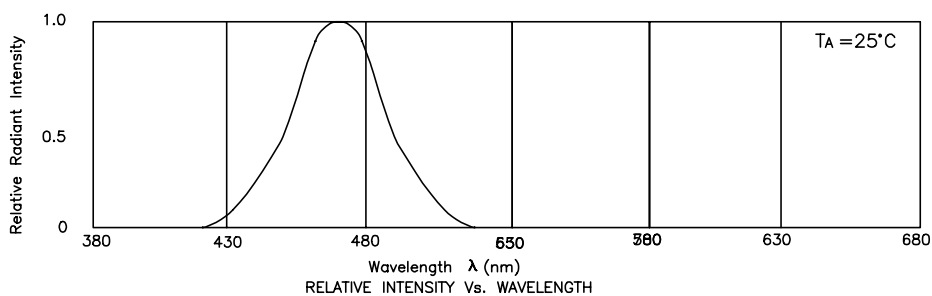
Symbol	Parameter	Device	Typ.	Max.	Units	Test Conditions
V _F	Forward Voltage	White	3.6	4.0	V	IF=20mA
I _R	Reverse Current	White	10		uA	VR = 5V
X	Chromaticity Coordinates	White	0.31			
Y			0.32			

Absolute Maximum Ratings at T_A=25°C

Parameter	White	Units
Power dissipation	120	mW
DC Forward Current	30	mA
Peak Forward Current [1]	100	mA
Reverse Voltage	5	V
Operating Temperature	-30 °C To + 80 °C	
Storage Temperature	-40 °C To + 100 °C	
Lead Soldering Temperature [2]	260 °C For 5 Seconds	

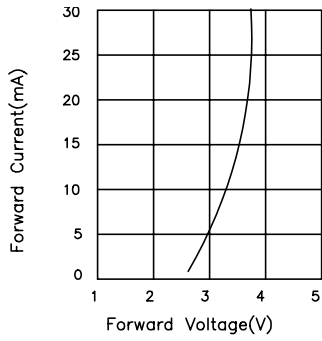
Notes:

- 1/10 Duty Cycle, 0.1ms Pulse Width.
- 4mm below package base.

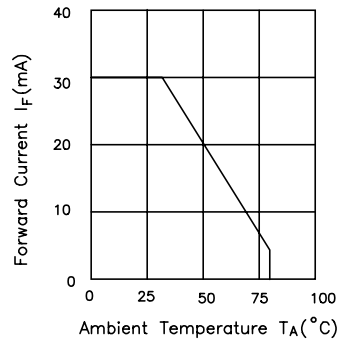


Kingbright®

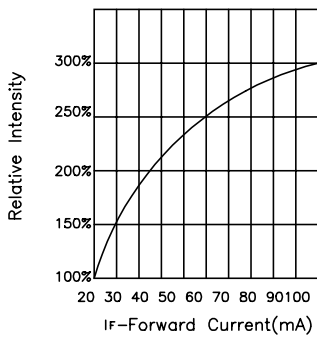
Blue AA3528PWC



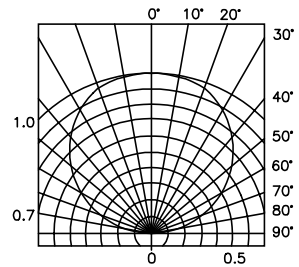
FORWARD CURRENT Vs. FORWARD VOLTAGE



FORWARD CURRENT DERATING CURVE

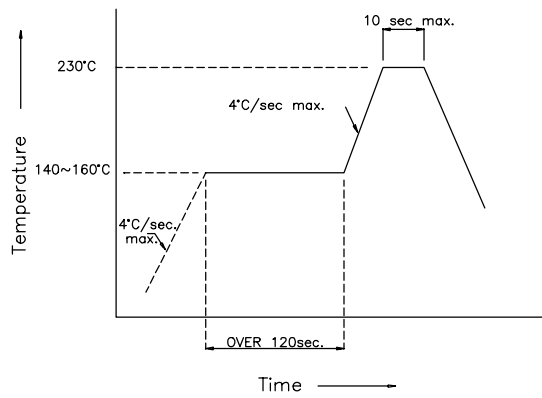


RELATIVE INTENSITY Vs. FORWARD CURRENT

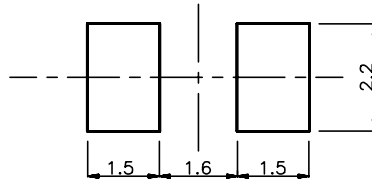


SPATIAL DISTRIBUTION

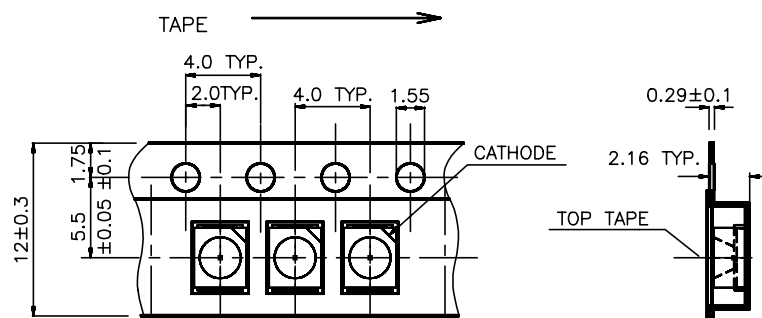
AA3528PWC Reflow Soldering Instructions



AA3528PWC Recommended Soldering Pattern (Units : mm)



AA3528PWC Tape Specifications (Units : mm)



Mouser Electronics

Authorized Distributor

Click to View Pricing, Inventory, Delivery & Lifecycle Information:

[Kingbright:](#)

[AA3528PWC](#)