

4

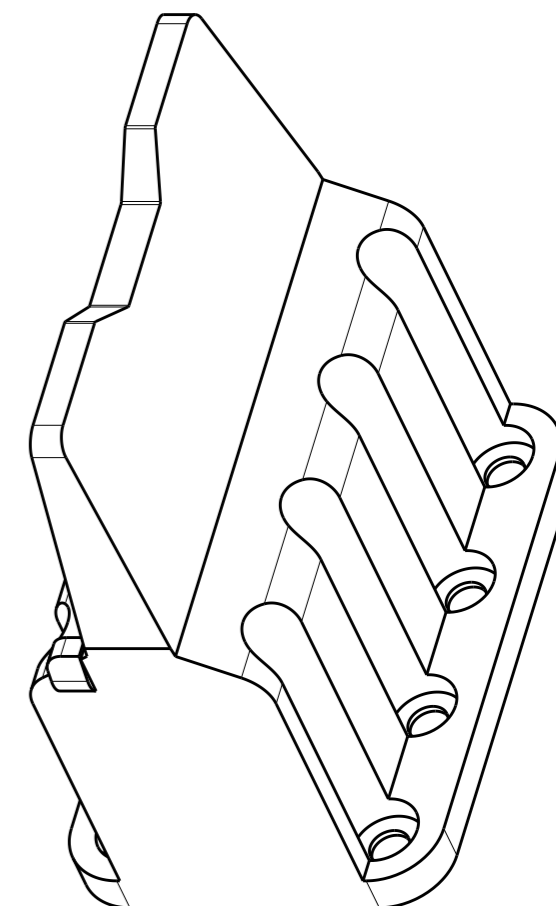
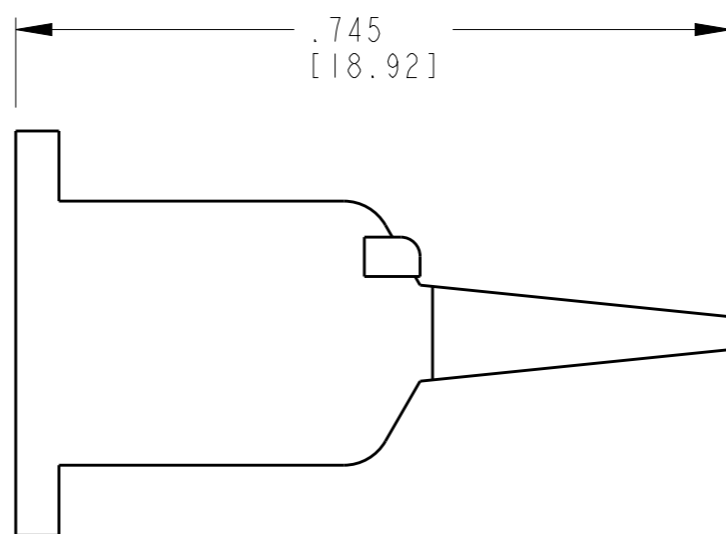
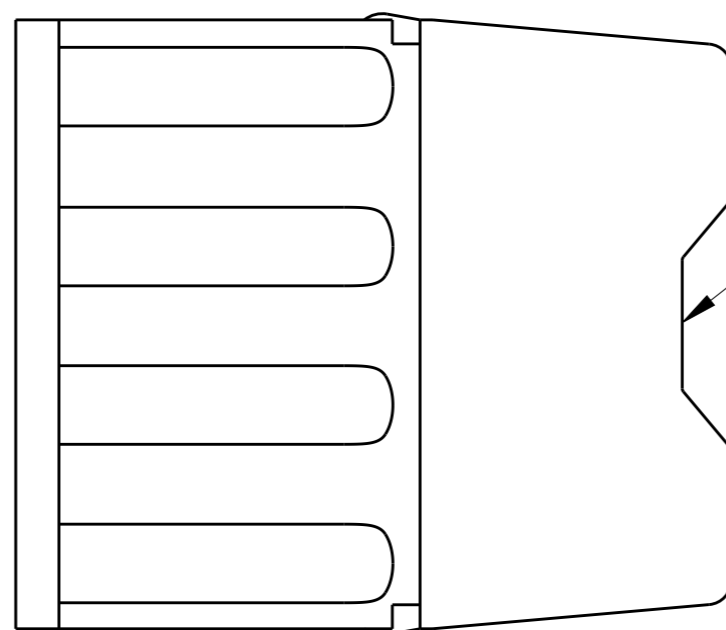
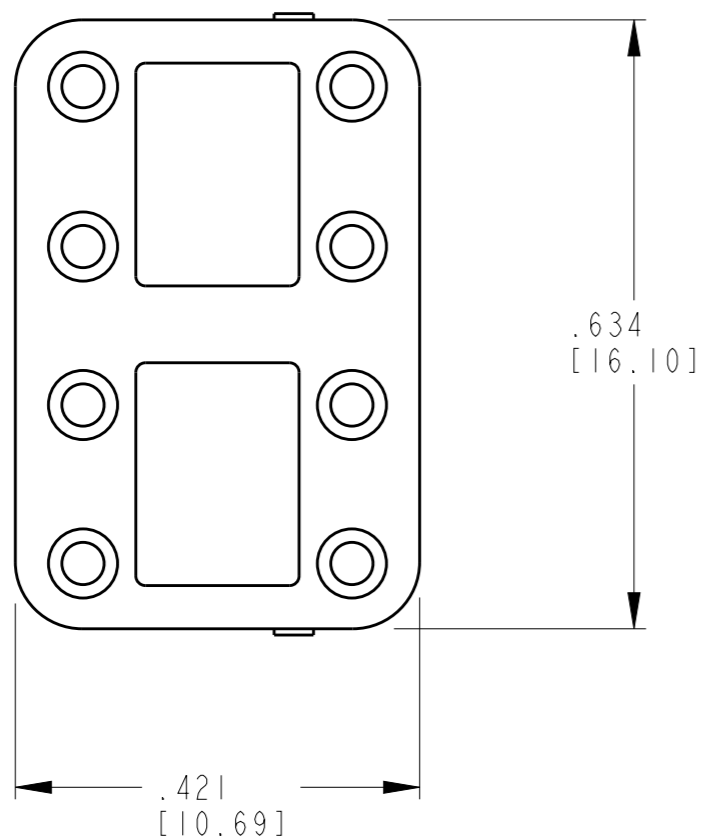
3

2

1

THIS DRAWING IS UNPUBLISHED
RELEASED FOR PUBLICATION 2017
© COPYRIGHT 2017 BY -TE CONNECTIVITY ALL RIGHTS RESERVED.


REVISIONS					
P	LTR	DESCRIPTION	DATE	DWN	APVD
	B	REVISED PER PCN E-17-016543	26OCT2017	SS	DM



TE INTERNAL PN	DEUTSCH PN
WM-8S	WM-8S

1. THIS WEDGE LOCK MATES WITH DTM06-08SX-XXXX PLUG.
(X = A,B,C,D KEYS; XXXX = ALL MODIFICATIONS).
CONSULT FACTORY FOR MODS.

NOTES: UNLESS OTHERWISE SPECIFIED

THIS DRAWING IS A CONTROLLED DOCUMENT.		DWN J. APOSTOL 25APR2007	 TE Connectivity														
DIMENSIONS: INCHES [mm]		CHK B. BYFORD 01MAY2007															
TOLERANCES UNLESS OTHERWISE SPECIFIED:		APVD R. REED 02MAY2007	NAME WEDGE LOCK FOR 8 CONT. PLUG HOUSING DTM SERIES														
<table border="1"> <tr> <td>0 PLC</td> <td>±-</td> </tr> <tr> <td>1 PLC</td> <td>±-</td> </tr> <tr> <td>2 PLC</td> <td>±-</td> </tr> <tr> <td>3 PLC</td> <td>±.025 [0.63]</td> </tr> <tr> <td>4 PLC</td> <td>±-</td> </tr> <tr> <td>ANGLES</td> <td>±0°30'0"</td> </tr> </table>		0 PLC	±-	1 PLC	±-	2 PLC	±-	3 PLC	±.025 [0.63]	4 PLC	±-	ANGLES	±0°30'0"	PRODUCT SPEC 108-151010	RESTRICTED TO		
0 PLC	±-																
1 PLC	±-																
2 PLC	±-																
3 PLC	±.025 [0.63]																
4 PLC	±-																
ANGLES	±0°30'0"																
MATERIAL PBT GF ORANGE		FINISH -	APPLICATION SPEC -	SIZE A3	CAGE CODE 4AFU8												
		WEIGHT 1.25 GR	DRAWING NO WM-8S	SCALE 5:1													
		CUSTOMER DRAWING	SHEET 1 OF 1		REV B												