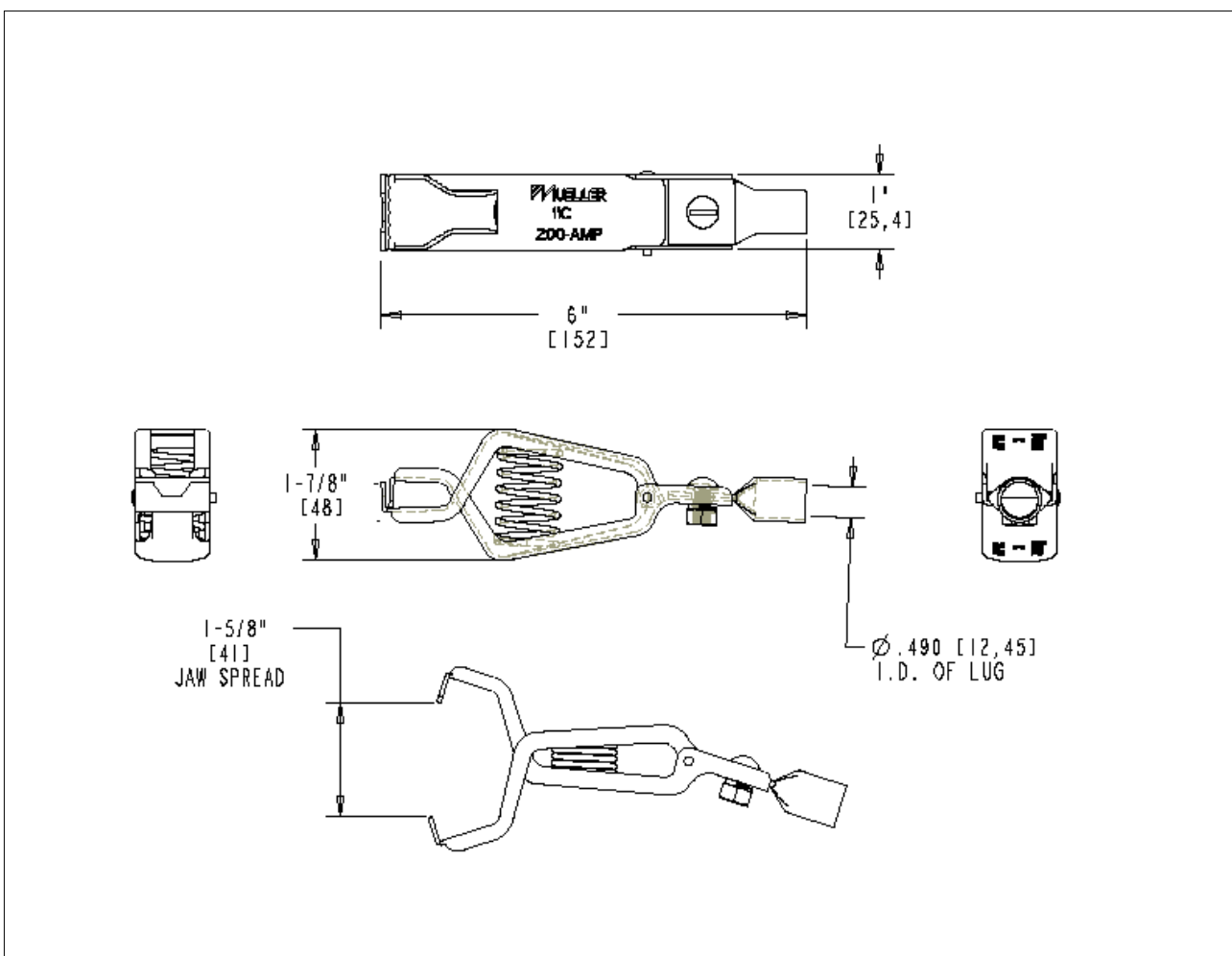




**Part Number: BU-11CPN**  
**Description: Heavy duty grounding Clip**

4106



- Heavy duty grounding clip
- Can be used with up to 0 AWG wire or welding cable
- Material: Solid Copper, Steel Spring
- Also see BU-CPS, for a Positive "+" marked clip and BU-APN & BU-APS for lower current carrying steel versions
- Use with Mueller Brand BU-13-\* PVC Insulators
- Rating: 200 Amps
- Packaged in Bulk
- RoHS Compliant