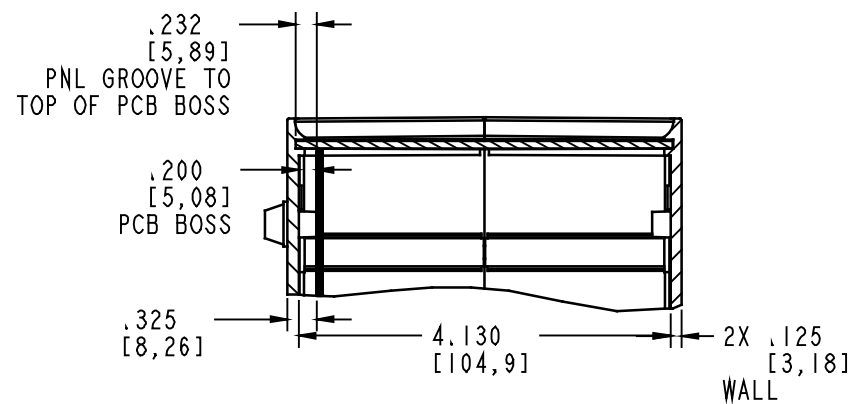
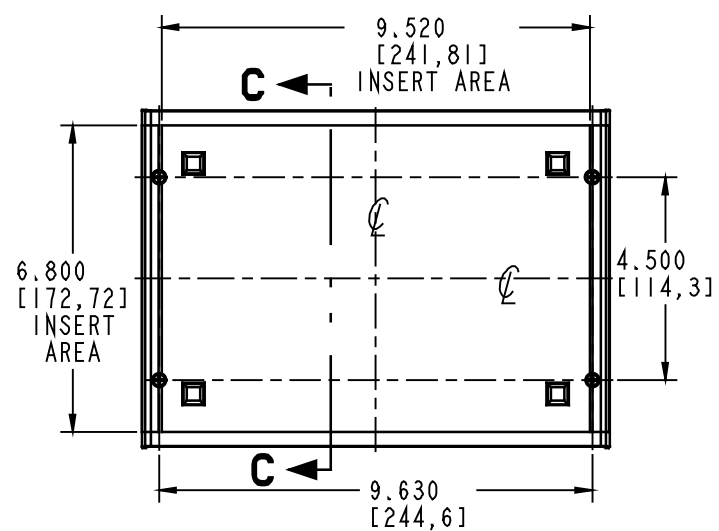
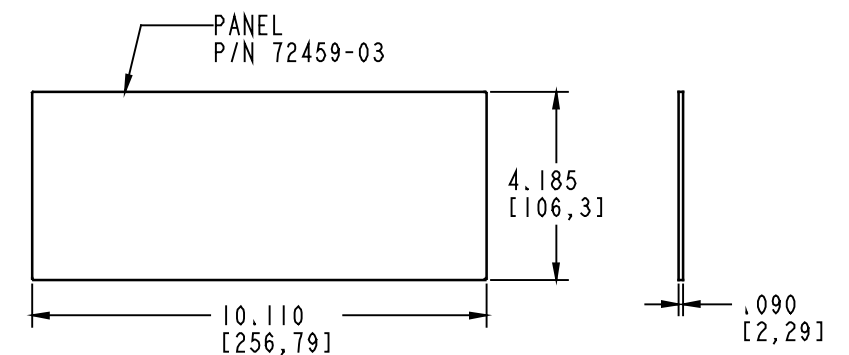


SECTION A-A

SECTION B-B



SECTION C-C
SCALE 1.000



PACNTEC®
1-610-361-4200

BM-4

VISIT **PACNTEC®**
ON THE WORLD WIDE WEB
www.pactecenclosures.com

COLOR / MATERIAL CODE		
COLOR	94HB	94VO
BLACK	000	028
P.C.BONE	039	060

DRAWING NUMBER	REV
75465	D