



TAOGLAS®



Datasheet

4 Ohm 6 Inch Round Dual Cone Speaker 30W

Part No:
SPKR.6.4.A

Description:

6" Dual Cone Speaker Round 4 Ohms with Packard Electric 12052832 connector
30W RMS

Features:

4 Ohm Impedance

Dual Cone

Rated Power 30W

High Sensitivity

Distortion Free

Dimensions: Ø160 x 64mm

Connector: Packard Electric 12052832

RoHS & Reach Compliant

1. Introduction	3
2. Specifications	4
3. Speaker Characteristics	5
4. Mechanical Drawing	6
5. Packaging	7
<hr/>	
Changelog	8

Taoglas makes no warranties based on the accuracy or completeness of the contents of this document and reserves the right to make changes to specifications and product descriptions at any time without notice. Taoglas reserves all rights to this document and the information contained herein.

Reproduction, use or disclosure to third parties without express permission is strictly prohibited.



1. Introduction



Designed for the rugged environment of heavy-duty trucks, Taoglas speakers deliver long lasting pure and true sound. Our 4-Ohm 6-inch round dual-cone, full range high sensitivity speaker series provide distortion free audio, high fidelity, high power handling (30W RMS) and is a low-cost solution for heavy-duty applications such as Transportation, Truck and RV applications. It is also primed for IoT applications such as Smart Home and Agriculture in which the use of speakers is becoming more commonplace. With this in mind Taoglas has decided to add speakers to our extensive product catalogue in order to make the customers journey easier, as now we can provide a high quality antenna solution and a high quality speaker solution from one trusted company.

Taoglas' slim design, full range speakers are easy to install. Multiple mounting hole patterns provide flexibility for attaching to a vehicle door panel or integrating into a home Hi-Fi speaker cabinet. Installation requires just two cables to be routed.

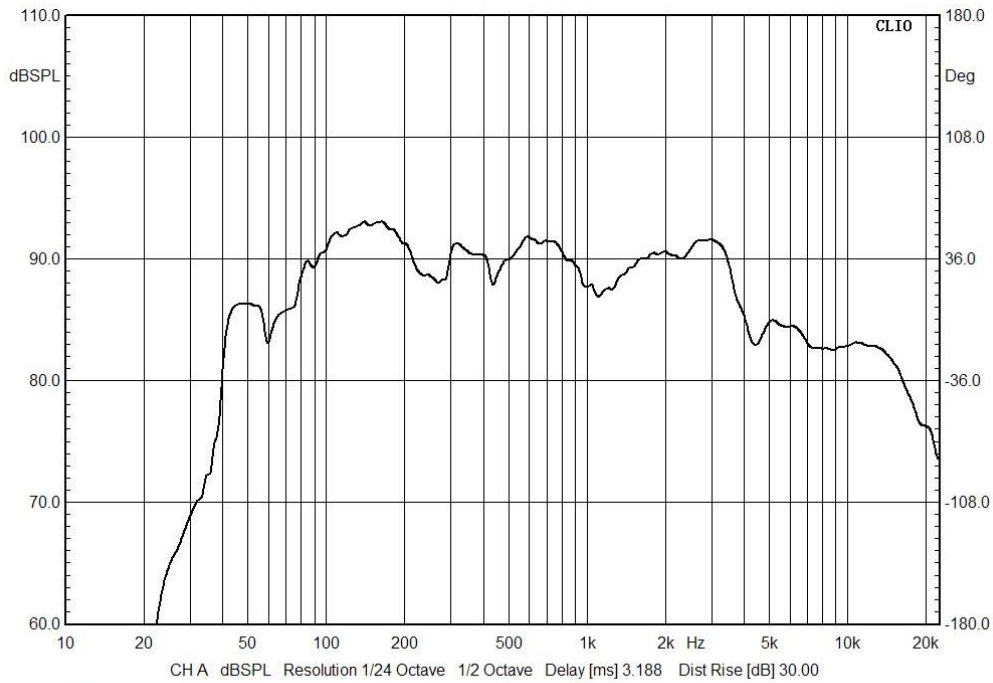
Contact your local Taoglas customer service team for more information or installation guidelines.

2. Specifications

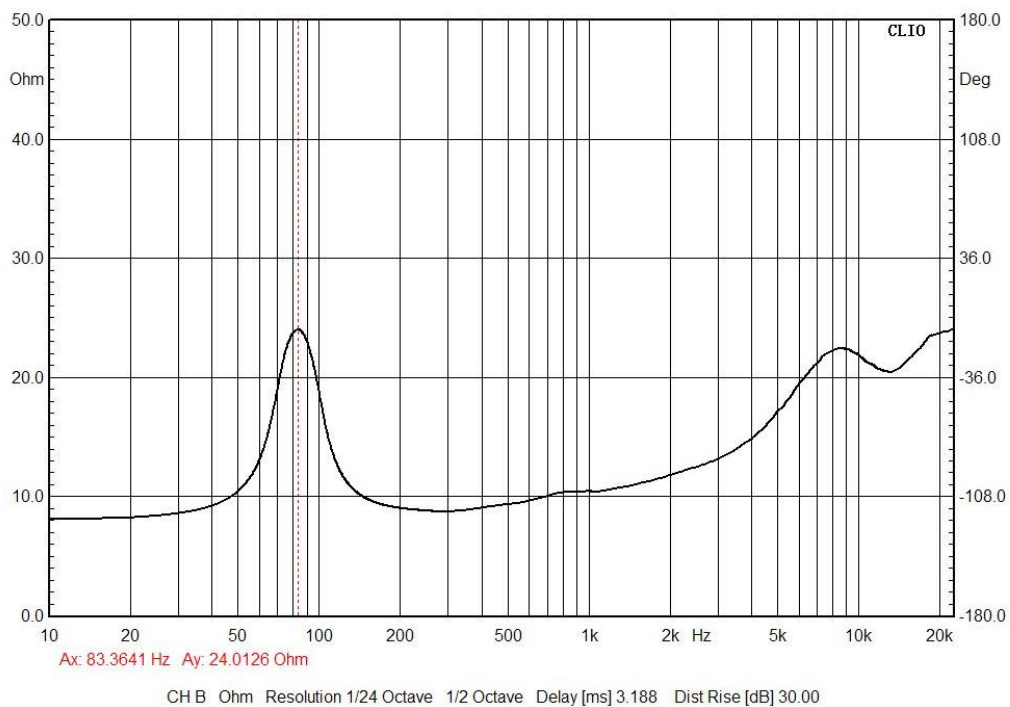
Electrical	
Impedance	4Ω
Rated Power	30W
Maximum Input Power	50W
Mechanical	
Height	64mm
Diameter	160mm
Weight	0.62Kg
Connector	Packard Electric 12052832
Environmental	
Temperature Range	-40°C to 85°C
Humidity	Non-condensing 65°C 95% RH

3. Speaker Characteristics

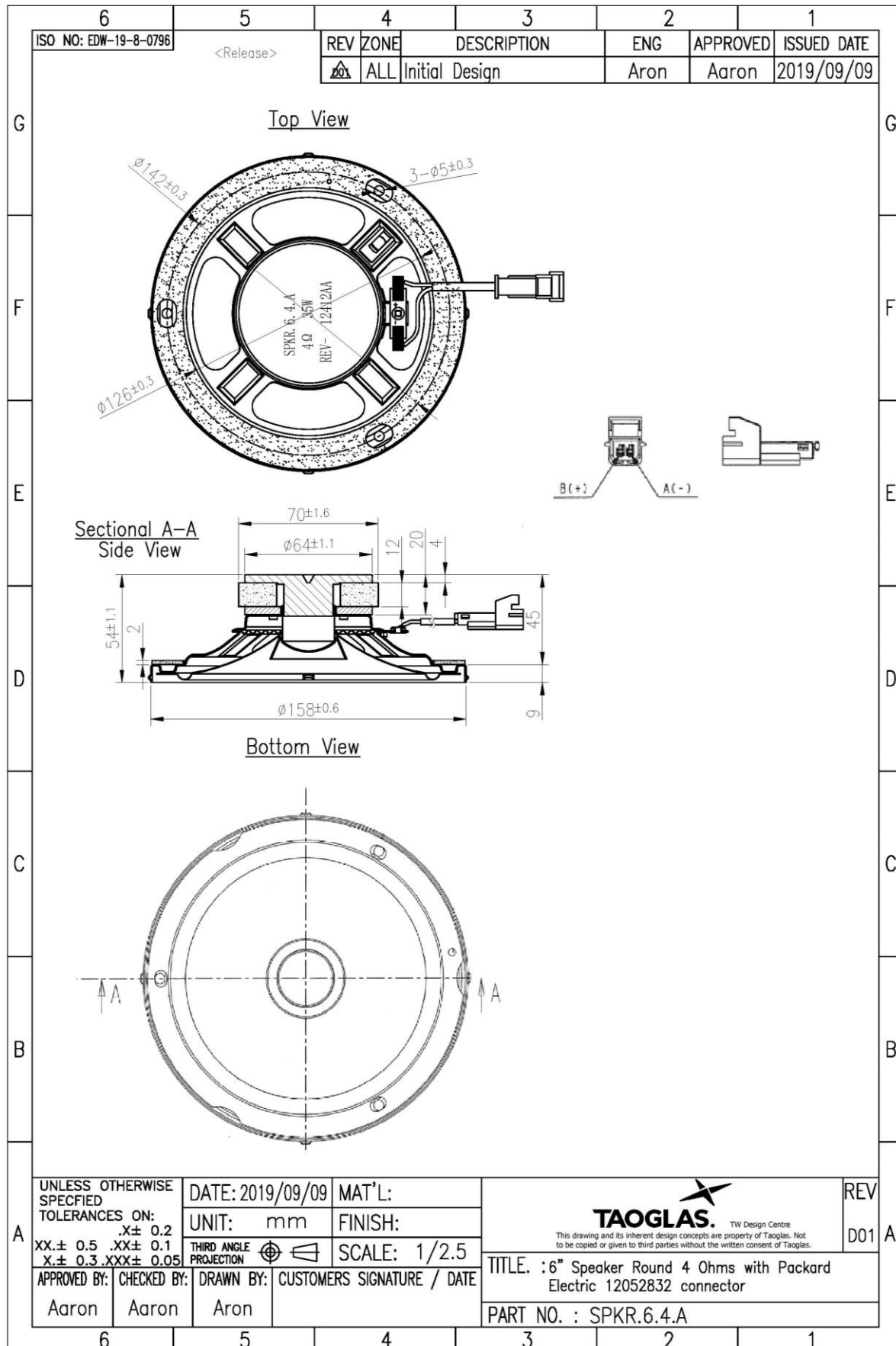
3.1 SPL



3.2 Impedance

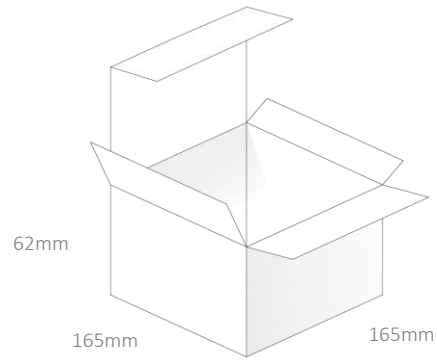


4. Mechanical Drawing (Units: mm)

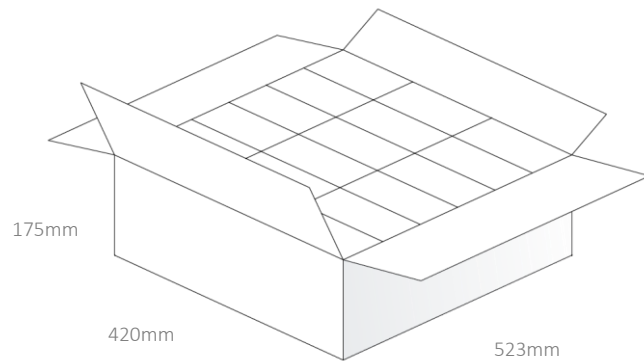


5. Packaging

1pcs SPKR.6.4.A per carton
 Dimensions – 165 x 165 x 62mm
 Weight – 0.62Kg



18pcs SPKR.6.4.A per carton
 Dimensions – 523 x 420 x 175mm
 Weight – 13Kg



Changelog for the datasheet

SPE-19-8-041 – SPKR.6.4.A

Revision: B (Current Version)	
Date:	2019-09-12
Changes:	Update drawing
Changes Made by:	Jack Conroy

Previous Revisions

Revision: A	
Date:	2019-05-02
Changes:	
Changes Made by:	Jack Conroy

--

--

--

--

--

--

--

--

--



TAOGLAS®

www.taoglas.com

