

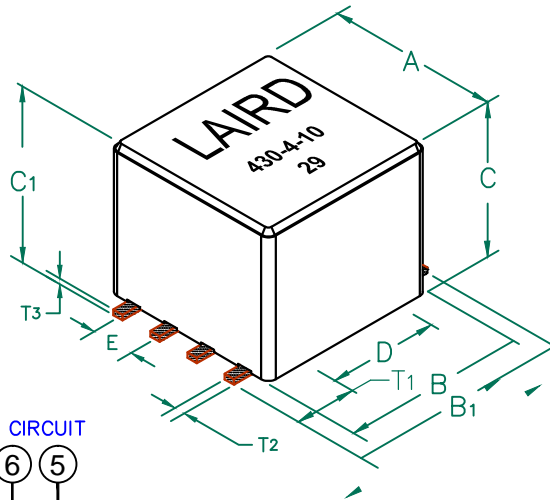
**UNCONTROLLED DOCUMENT**

# 29F0430-4SR-10

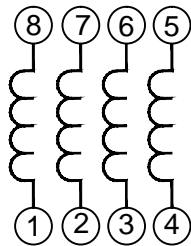
**RoHS**

**PHYSICAL DIMENSIONS:**

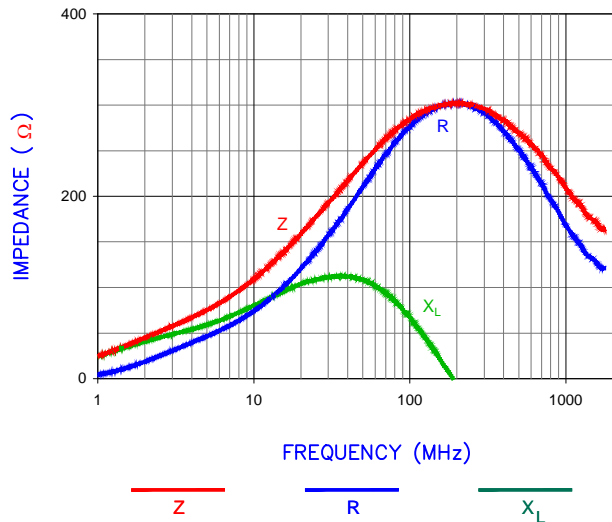
A	10.87 [.428]	+ 0.15 [.006]
B	10.87 [.428]	+ 0.15 [.006]
B <sub>1</sub>	13.46 [.530]	MAX
C	8.89 [.350]	+ 0.18 [.007]
C <sub>1</sub>	9.65 [.380]	+ MAX
D	7.62 [.300]	+ 0.13 [.005]
E	2.54 [.100]	+ 0.13 [.005]
T <sub>1</sub>	2.64 [.104]	+ 0.25 [.010]
T <sub>2</sub>	0.64 [.025]	+ TYP.
T <sub>3</sub>	0.38 [.015]	+ TYP.



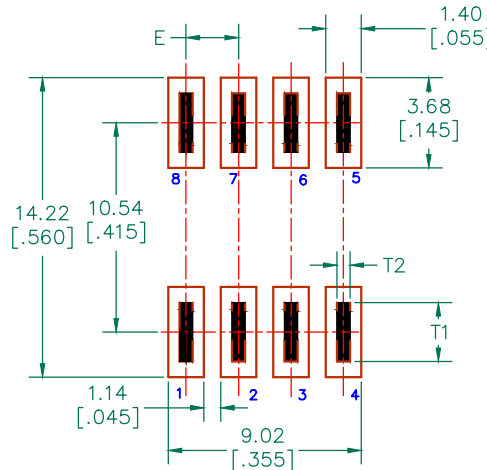
**EQUIVALENT CIRCUIT**



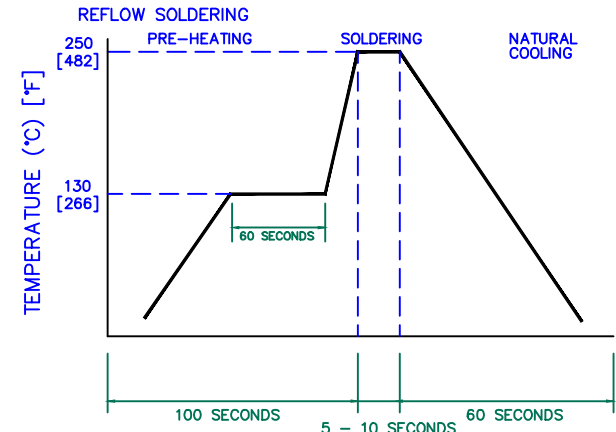
**|Z|, R, AND X vs. FREQUENCY**



**LAND PATTERNS FOR REFLOW SOLDERING**



**RECOMMENDED SOLDERING CONDITIONS**



ELECTRICAL CHARACTERISTICS:			
Z @ 100MHz (Ω)	DCR (Ω)	Rated Current	
Nominal	290		
Minimum	218		
Maximum	363	0.01	9,000 mA

NOTES: UNLESS OTHERWISE SPECIFIED

1. TAPED AND REELED per CURRENT EIA SPECIFICATIONS 13" REELS, 400 PCS/REEL.
2. COMPONENTS SHOULD BE ADEQUATELY PREHEATED BEFORE SOLDERING.
3. REF. CARRIER TAPE SPECIFICATION #CART430-43.
4. TERMINATION FINISH IS 100% TIN.
5. THIS PART HAS NO PIN POLARITY.
6. OPERATION TEMPERATURE (INCLUDING SELF-HEATING): -40 ~ +125°C.

DIMENSIONS ARE IN MM [INCHES].			This print is the property of Laird Tech. and is loaned in confidence subject to return upon request and with the understanding that no copies shall be made without the written consent of Laird Tech. All rights to design or invention are reserved.	
D	ADD NOTE 6	08/30/12	QIU	PROJECT/PART NUMBER: <b>29F0430-4SR-10</b>
C	UPDATE COMPANY LOGO UPDATE ROHS SYMBOL, CHG KAPTON LABEL ADD EC	10/27/08	JRK	
B	UPDATE COMPANY LOGO	05/02/07	JRK	DATE: 05/14/04
A	ORIGINAL DRAFT	05/14/04	JRK	SCALE: NTS
REV	DESCRIPTION	DATE	INT	CAD # 29F0430-4SR-10-D-1
			REV	D
			SCALE:	NTS
			TOOL #	H0431
			SHHEET:	1 of 2
			DRWN BY:	JRK

