

THIS DRAWING IS UNPUBLISHED.

RELEASED FOR PUBLICATION

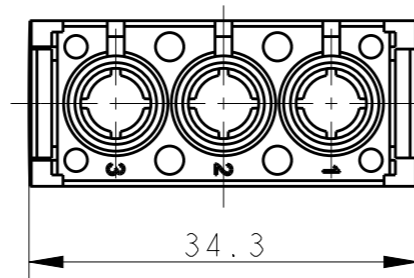
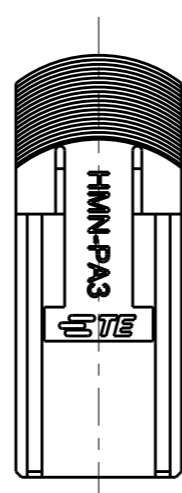
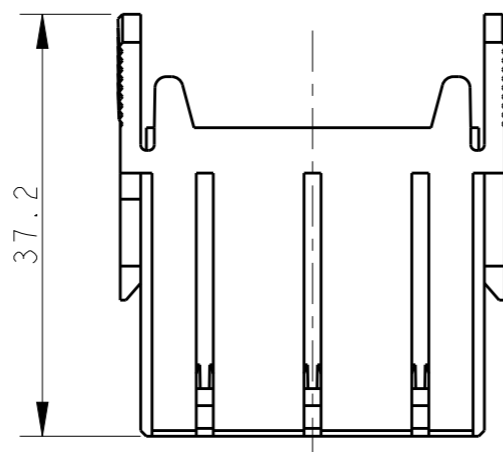
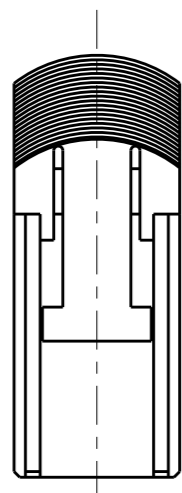
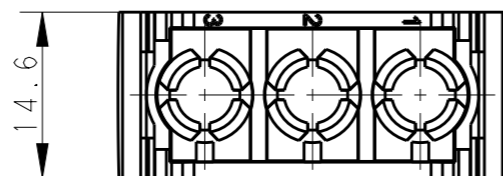
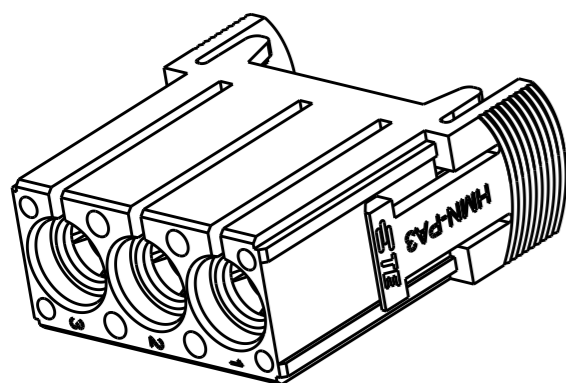
20

© COPYRIGHT 20 BY -

ALL RIGHTS RESERVED.

REVISIONS

P	LTR	DESCRIPTION	DATE	DWN	APVD
	A	INITIAL	16MAR2017	RL	CW




NOTES:

- TECHNICAL CHARACTERISTICS:
INSULATION MATERIAL: PC
TUBE ID: 1.3 / 3.0 / 4.0mm
- CONTACT NEED TO BE ORDERED SEPARATELY.
(ORDER No. REFER TO DRAWING:
PIN CONTACT: T209000210100X
SOCKET CONTACT: T209000220100X
SOCKET CONTACT,
WITH SHUT OFF : T209001220100X)

注释:

- 技术参数:
绝缘材料: PC
导管内径: 1.3 / 3.0 / 4.0mm
- 气动端子需要单独订购。
(订购号参考图面:
公针: T209000210100X;
母针: T209000220100X;
带密闭气阀母针: T209001220100X)

T2111032301-000	HMN-PA3	HMN-PA3 MODULE INSERT HMN-PA3气动模块芯件
PART NUMBER 料号	PART DESCRIPTION 描述	

THIS DRAWING IS A CONTROLLED DOCUMENT.		DWN ROY LIU 16MAR2017	 TE Connectivity NAME HMN-PA3											
DIMENSIONS: mm		CHK KYLE ZENG 16MAR2017												
TOLERANCES UNLESS OTHERWISE SPECIFIED:		APVD CHRIS WANG 16MAR2017												
<table border="1"> <tr> <td>0 PLC</td> <td>±-</td> </tr> <tr> <td>1 PLC</td> <td>±-</td> </tr> <tr> <td>2 PLC</td> <td>±-</td> </tr> <tr> <td>3 PLC</td> <td>±-</td> </tr> <tr> <td>4 PLC</td> <td>±-</td> </tr> <tr> <td>ANGLES</td> <td>±-</td> </tr> </table>		0 PLC			±-	1 PLC	±-	2 PLC	±-	3 PLC	±-	4 PLC	±-	ANGLES
0 PLC	±-													
1 PLC	±-													
2 PLC	±-													
3 PLC	±-													
4 PLC	±-													
ANGLES	±-													
MATERIAL -	FINISH -	APPLICATION SPEC -	WEIGHT -	SIZE A3	CAGE CODE 00779	DRAWING NO T2111032301000	RESTRICTED TO -							
CUSTOMER DRAWING		SCALE 3:2		SHEET 1 OF 1	REV A									