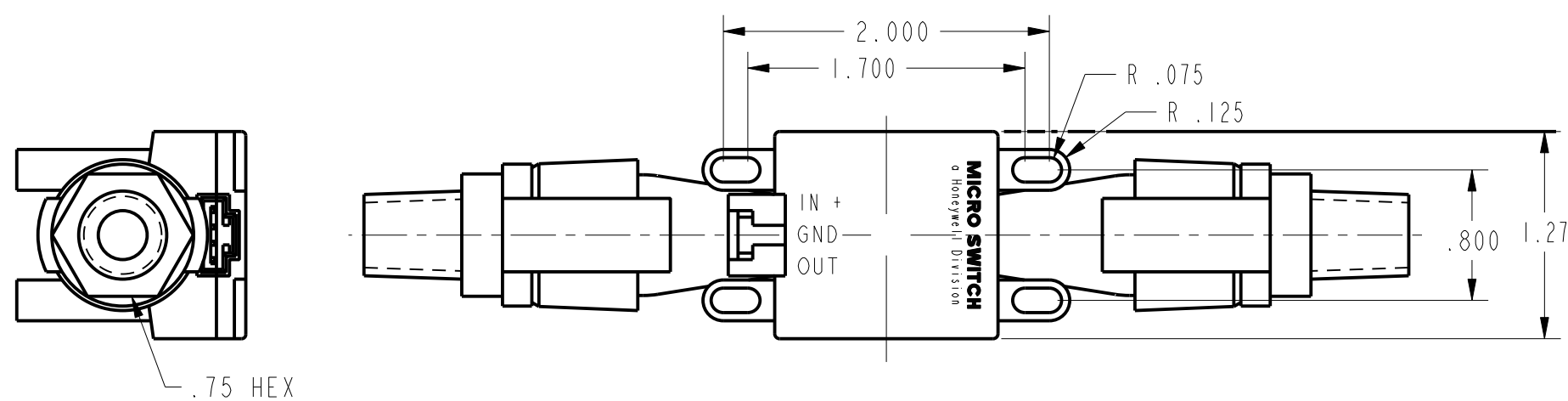


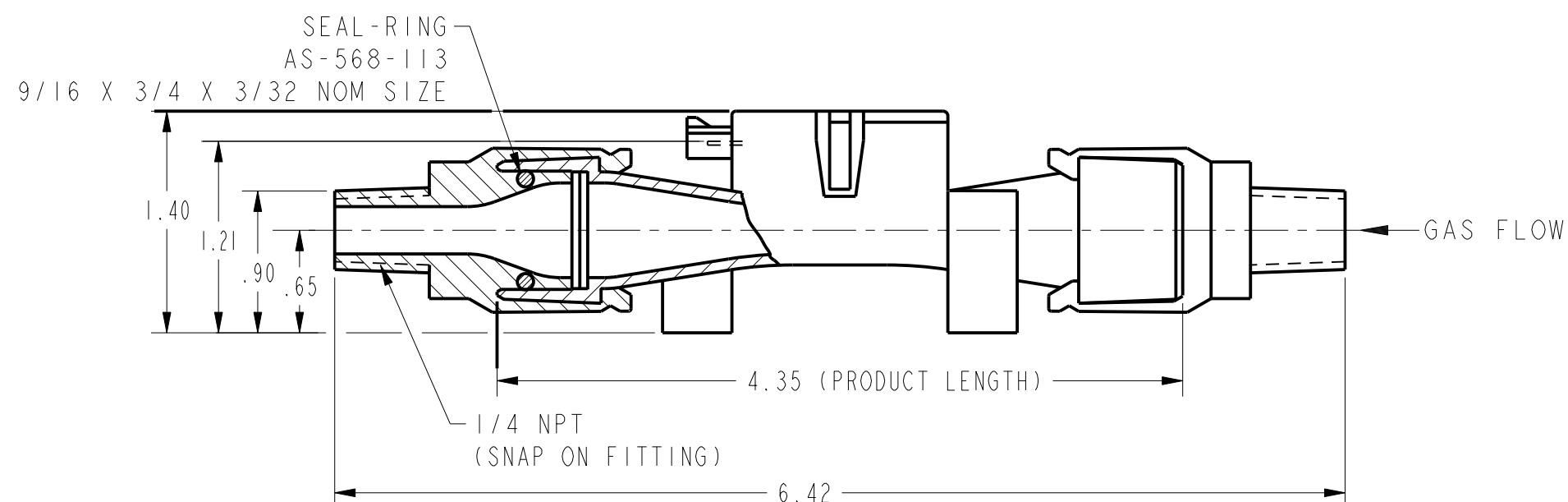


AWM5103VC



SPECIFICATIONS

RECOMMENDED POWER SUPPLY ¹	10.00 ± .01 VDC
MINIMUM POWER SUPPLY	8.0 VDC
MAXIMUM POWER SUPPLY	15 VDC
POWER CONSUMPTION	100mW MAX
OUTPUT TYPE	LINEAR, 1 TO 5 VDC
CALIBRATION GAS	CARBON DIOXIDE
GAS FLOW RANGE *	0-15 SLM *
OUTPUT @ LASER TRIM POINT	5 VDC @ FULL SCALE FLOW
DIFFERENTIAL PRESSURE @ FULL SCALE	SEE PRESSURE VS. AIRFLOW CHART
NULL OUTPUT	1.00 ± .05 VDC
NULL OUTPUT SHIFT, 0 TO +50°C	± .050 VDC TYP, ± .100 VDC MAX
FULL SCALE OUTPUT SHIFT, 0 TO +25°C, +25 TO 50°C	+10.0% READING MAX
LINEARITY ERROR ²	± 3.0% READING
REPEATABILITY & HYSTERESIS	± 0.5% F.S.O.
RESPONSE TIME	60.0 mSEC MAX
STORAGE TEMPERATURE RANGE	-20° TO 70°C
OPERATION TEMPERATURE RANGE ⁵	0° TO 50°C
TERMINATION (.100 CENTERS)	.025 SQUARE
CONNECTOR (4 PIN RECEPTACLE) ³	AMP (103956-3)
WEIGHT	30 GRAMS (2.120Z)
SHOCK RATING	100 g PEAK, 6 mSEC HALF-SINE (3 DROPS EACH DIRECTION OF 3 AXES)
OVERPRESSURE	50 PSI MAX
LEAK RATE, MAX	0.1 PSI/MIN AT STATIC CONDITION

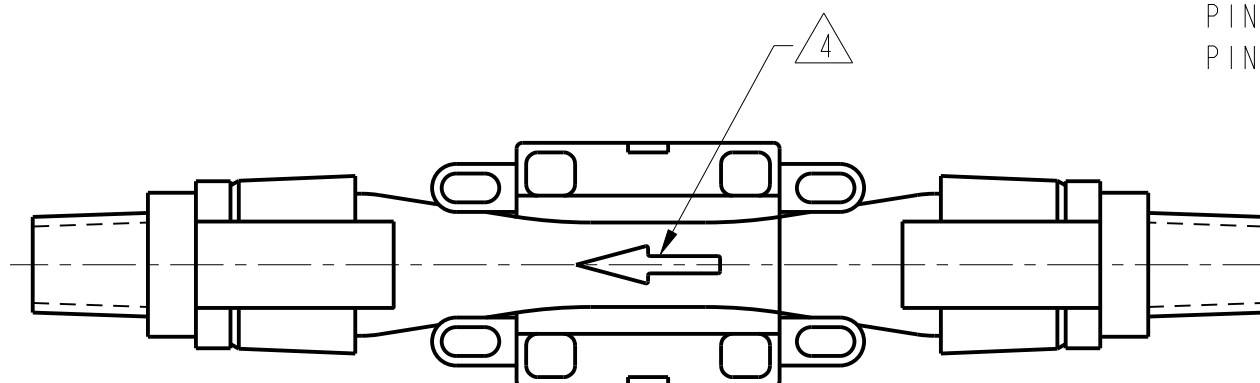


NOTES

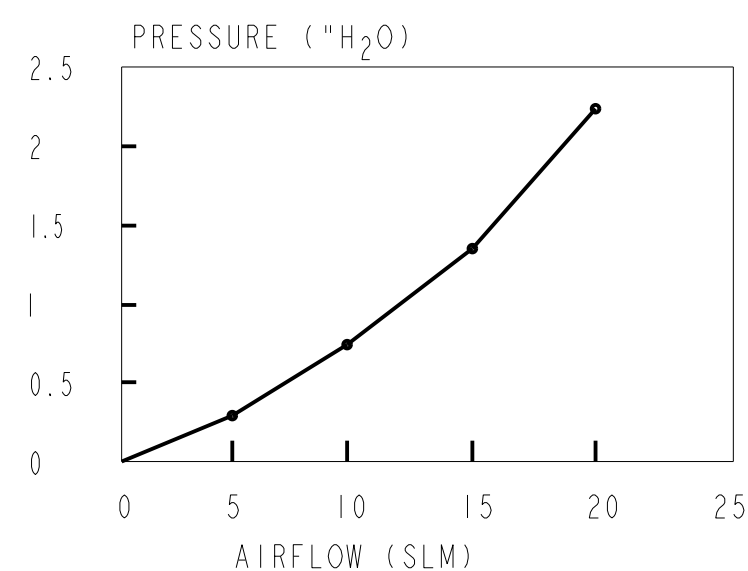
- ¹ CANNOT GUARANTEE CALIBRATION AT SUPPLY VOLTAGES OTHER THAN 10.00 ± .01 VDC
- ² LINEARITY SPECIFICATION APPLIES FROM 2 TO 100% FULL SCALE OF GAS FLOW RANGE, AND DOES NOT APPLY TO NULL OUTPUT AT 0 SLM *
- ³ SUPPLIED IN STRIP FORM. OTHER STRIP FORM RECEPTACLES ARE AVAILABLE, AS WELL AS VARIOUS TOOLS TO ASSEMBLE RECEPTACLES IN STRIP FORM. INDIVIDUAL RECEPTACLE ASSEMBLIES ARE ALSO AVAILABLE FROM AMP
- ⁴ MOLDED-IN ARROW DESIGNATES GAS FLOW DIRECTION
- * SLM DENOTES STANDARD LITERS PER MINUTE WHICH IS A FLOW MEASUREMENT REFERENCED TO STANDARD CONDITIONS OF 0°C, 760 TORR (SEA LEVEL), 50% RH
- ⁵ TEMPERATURE TRANSITIONS 1.66°C/MINUTE MAXIMUM WHILE IN OPERATION

OUTPUT CONNECTIONS

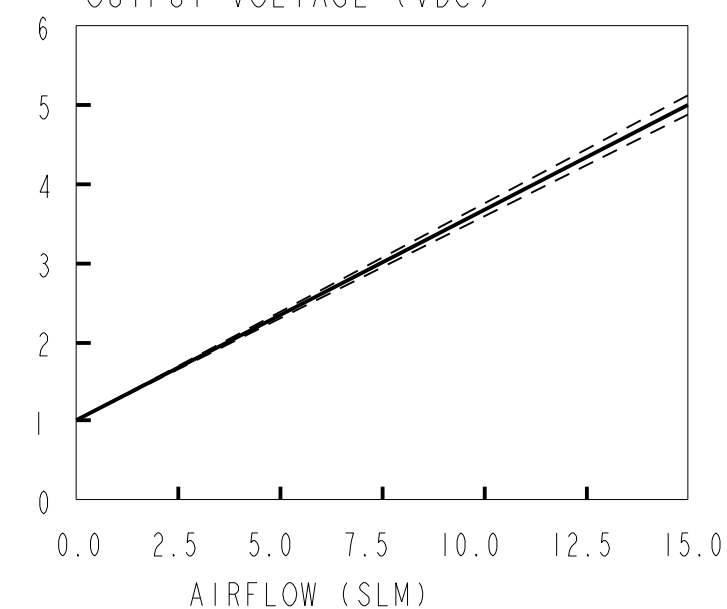
- PIN 1 + SUPPLY VOLTAGE
- PIN 2 GROUND
- PIN 3 NO CONNECTION
- PIN 4 OUTPUT VOLTAGE



PRESSURE VS. AIRFLOW



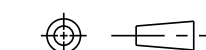
1-5 VDC LINEAR OUTPUT OUTPUT VOLTAGE (VDC)



±0 : 3% READING

— MEAN
 - - - MIN
 - - - MAX

THIRD ANGLE PROJECTION



SCALE FULL

DO NOT SCALE PRINT

UNLESS OTHERWISE SPECIFIED TOLERANCES ARE

ONE PLACE (.0)	± .030
TWO PLACES (.00)	± .015
THREE PLACES (.000)	± .005
ANGLES	±

WEIGHT

THIS DRAWING COVERS A PROPRIETARY ITEM AND IS THE PROPERTY OF MICRO SWITCH, A DIVISION OF HONEYWELL. THIS DRAWING IS NOT TO BE COPIED OR USED WITHOUT THE APPROVAL OF MICRO SWITCH.

MICRO SWITCH a Honeywell Division

MASS AIRFLOW SENSOR

AWM5103VC

FED. MFG. CODE 91929

ANSI Y14.5M-1982 APPLIES

P.T.C./CAD [20]
 DRAWN G J W 12 MAR 01
 CHECK SAV 12 MAR 01
 CMH 16 JAN 08
 REVISIONS
 A 202464 MAR 01
 B 0027347 28 DEC 06
 C 0036560 16 JAN 08
 DRAWING NUMBER 6
 ISSUE
 AWM5103VC
 RELEASE NO. PR-20105
 X94969-AW
 REPLACES